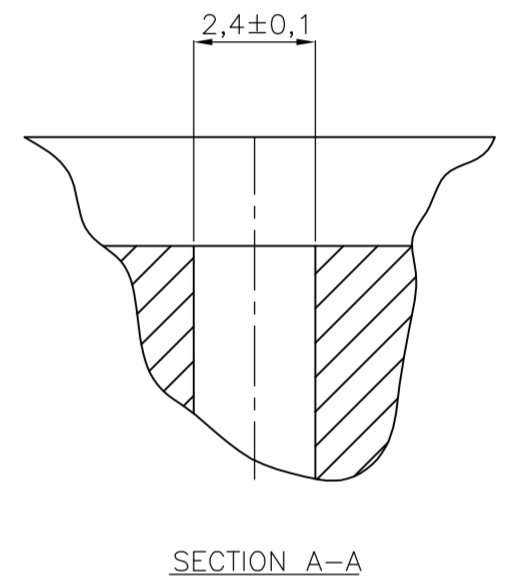
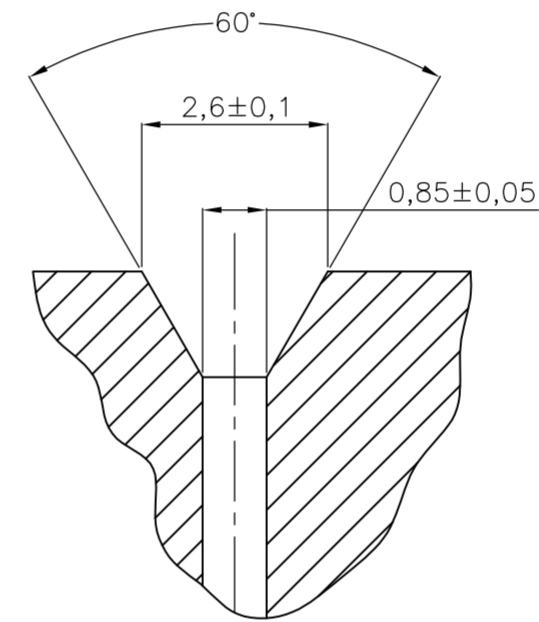
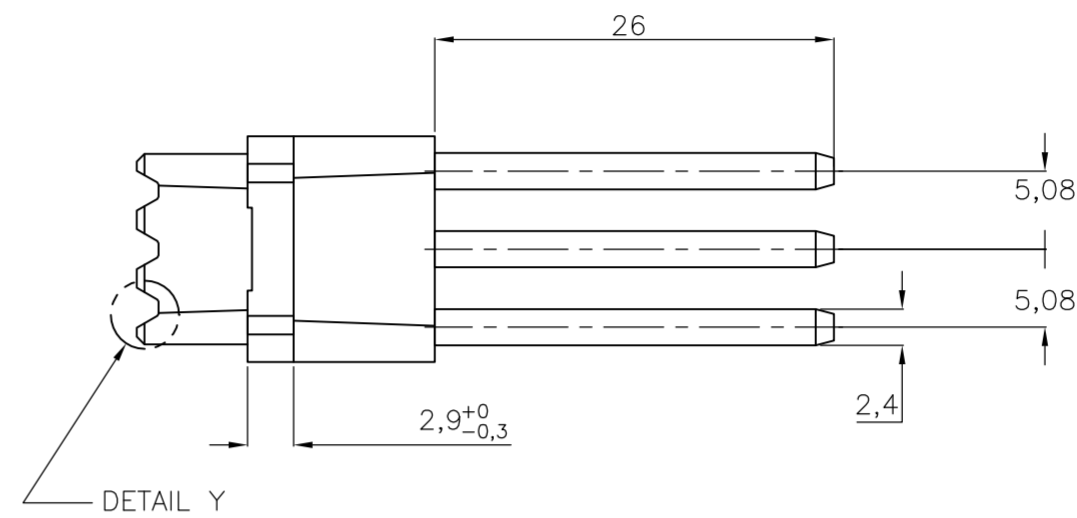
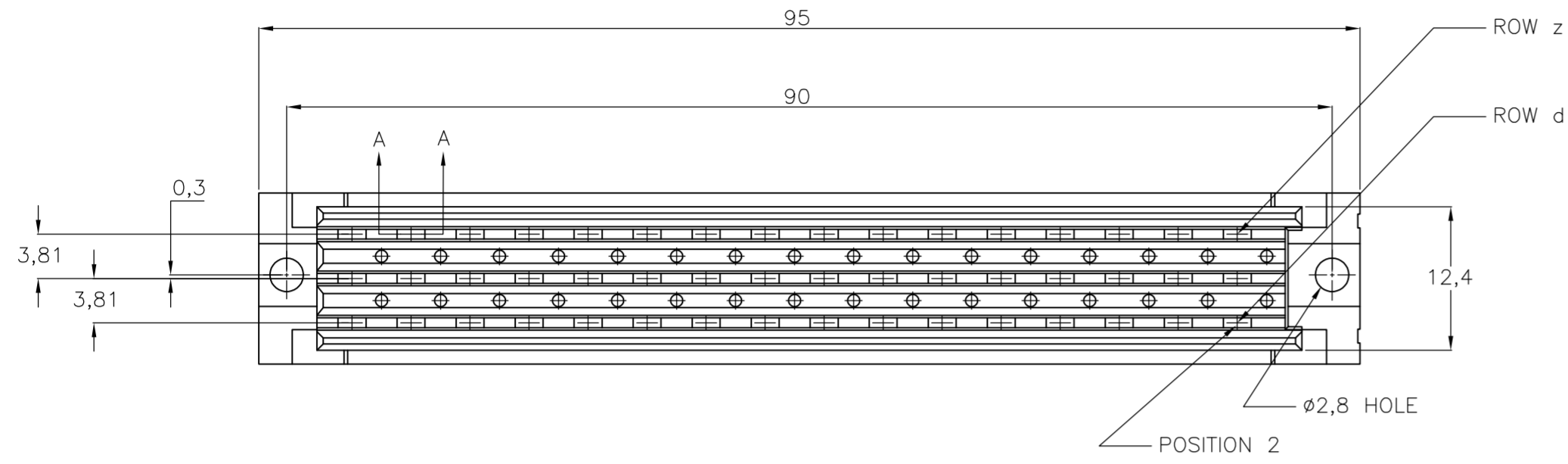


THIS DRAWING IS UNPUBLISHED. RELEASED FOR PUBLICATION  
 © COPYRIGHT BY TYCO ELECTRONICS CORPORATION. ALL INTERNATIONAL RIGHTS RESERVED.

LOC	DIST	REVISIONS			
P	LTR	DESCRIPTION	DATE	DWN	APVD
	A	-	-	-	-
	F	ECR-07-020965	05-02-09	AEG	MKO



D

D

C

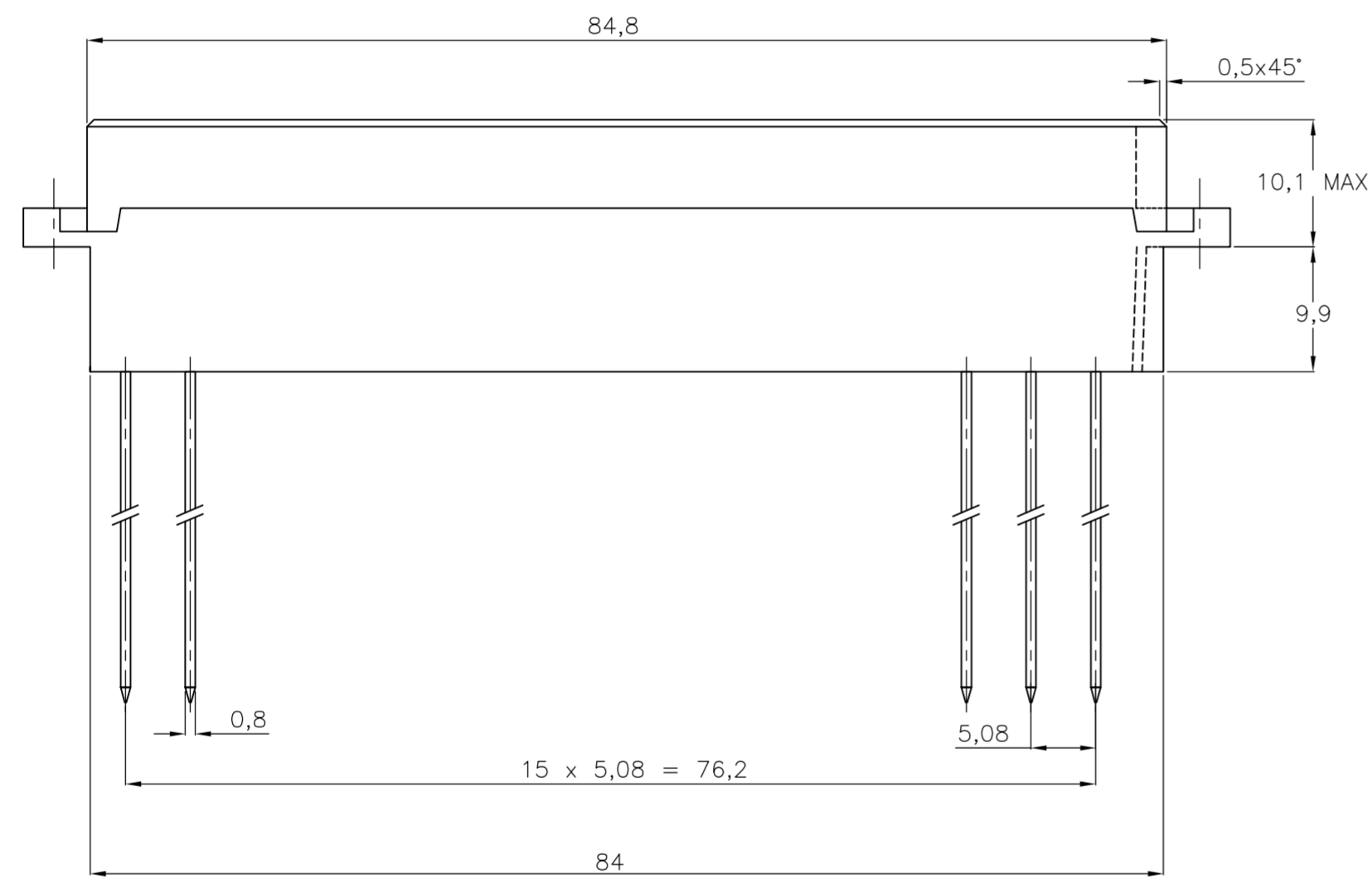
C

B

B

A

A



POS	2	4	6	8	10	12	14	16	18	20	22	24	26	28	30	32
ROW z	X	X	X	X	X	X	X	X	X	X	X	X	X	X	X	X
ROW d	X	X	X	X	X	X	X	X	X	X	X	X	X	X	X	X

AN ASTERISK X DENOTES A CONTACT.

OBSOLETE	2-166010-8	HOUSING: CLASSIFIED POLYCARBONATE (GREY)  CONTACTS: PHOSPHORBRONZE	AT CONTACT AREA 0,4 μm Au OVER 1,25 μm Ni. AT POST AREA GOLDFLASH OVER 1,25 μm Ni.
OBSOLETE	2-166010-7		AT CONTACT AREA 2,0 μm Au OVER 1,25 μm Ni. AT POST AREA GOLDFLASH OVER 1,25 μm Ni.
OBSOLETE	2-166010-6		AT CONTACT AREA 3,75 μm Au OVER 1,25 μm Ni. AT POST AREA GOLDFLASH OVER 1,25 μm Ni.
OBSOLETE	2-166010-4		AT CONTACT AREA 0,8 μm Au OVER 1,25 μm Ni. AT POST AREA GOLDFLASH OVER 1,25 μm Ni.
	2-166010-1		AT CONTACT AREA 1,25 μm Au OVER 1,25 μm Ni. AT POST AREA GOLDFLASH OVER 1,25 μm Ni.
	ORDER No.	MATERIAL	PLATING

THIS DRAWING IS A CONTROLLED DOCUMENT.

DIMENSIONS: INCHES	TOLERANCES UNLESS OTHERWISE SPECIFIED:	DWN: A.J.L. AMBAUM 25.08.95	Tyco Electronics Corporation 's-Hertogenbosch, Nederland
	0 PLC ± - 1 PLC ± - 2 PLC ± - 3 PLC ± - 4 PLC ± - ANGLES ± - FINISH -	CHK: J.GIBBELS APVD: - PRODUCT SPEC: - APPLICATION SPEC: - WEIGHT: -	
MATERIAL: -	FINISH: -	NAME: -	48 POS. FEMALE RC CONN. ACC. TO DIN 41612, F.48F-CIM WITH MAXI TERMI POINT POSTS
CUSTOMER DRAWING		SIZE: A2	RESTRICTED TO: -
		CAGE CODE: 00779	DRAWING NO: C=166010
		SCALE: NTS	SHEET: 1 of 1
			REV: F

166010