

# CES-SRG-BK-8 - Cable sleeve



0801625

<https://www.phoenixcontact.com/pc/products/0801625>

Please be informed that the data shown in this PDF document is generated from our online catalog. Please find the complete data in the user documentation. Our general terms of use for downloads are valid.



Cable sleeve, small, no. of conductors: 1, type: Round cable, slotted, external cable diameter: 1x 7 mm ... 8 mm, material: NBR, color: black, length: 29.5 mm, width: 19.5 mm, height: 17 mm

## Product description

Slotted cable sleeve

## Commercial data

Item number	0801625
Packing unit	10 pc
Minimum order quantity	10 pc
Product key	AF7CCX
GTIN	4046356674676
Weight per piece (including packing)	8.25 g
Weight per piece (excluding packing)	8.28 g
Customs tariff number	40169997
Country of origin	TW

# CES-SRG-BK-8 - Cable sleeve

0801625

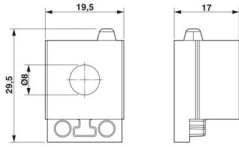
<https://www.phoenixcontact.com/pc/products/0801625>

## Technical data

### Product properties

No. of conductors	1
-------------------	---

### Dimensions

Dimensional drawing	
Width	19.5 mm
Height	17 mm
Length	29.5 mm

### Material specifications

Material	NBR
----------	-----

### Cable/line

External cable diameter	1x 7 mm ... 8 mm
-------------------------	------------------

### Characteristics

Seal size	small
Design, Format	Round cable
Design, Cable seal	slotted

### Environmental and real-life conditions

#### Ambient conditions

Degree of protection	IP54
Ambient temperature (operation)	-40 °C ... 125 °C (static)

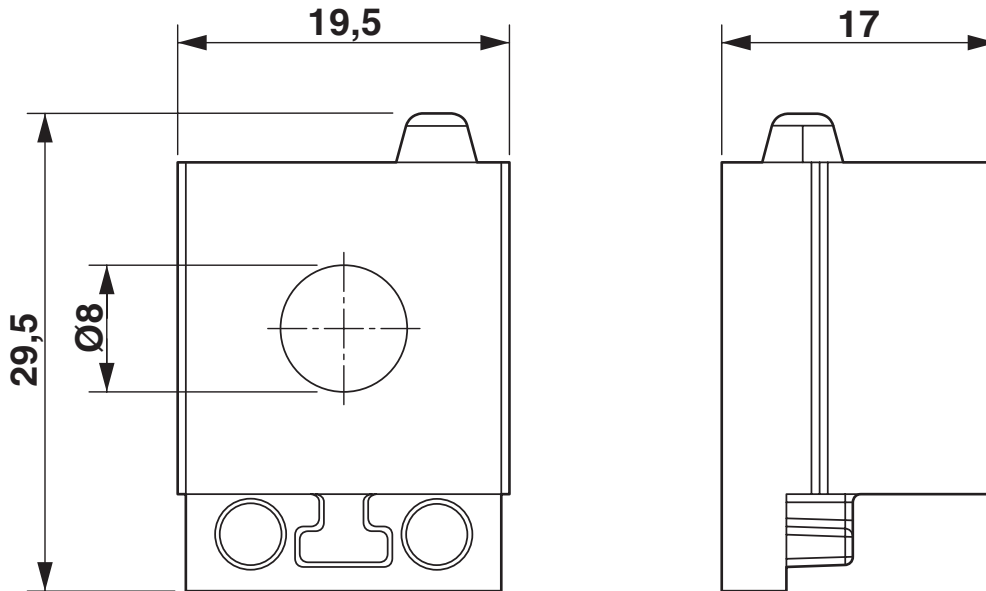
# CES-SRG-BK-8 - Cable sleeve

0801625

<https://www.phoenixcontact.com/pc/products/0801625>

## Drawings

Dimensional drawing



Dimensional drawing

# CES-SRG-BK-8 - Cable sleeve



0801625

<https://www.phoenixcontact.com/pc/products/0801625>

## Approvals

🔗 To download certificates, visit the product detail page: <https://www.phoenixcontact.com/pc/products/0801625>

**DNV**

Approval ID: TAE00003VJ

# CES-SRG-BK-8 - Cable sleeve



0801625

<https://www.phoenixcontact.com/pc/products/0801625>

## Classifications

### ECLASS

ECLASS-13.0	27144425
ECLASS-15.0	27144425

### ETIM

ETIM 10.0	EC000451
-----------	----------

### UNSPSC

UNSPSC 21.0	39121400
-------------	----------

# CES-SRG-BK-8 - Cable sleeve



0801625

<https://www.phoenixcontact.com/pc/products/0801625>

## Environmental product compliance

### EU RoHS

Fulfills EU RoHS substance requirements	Yes, No exemptions
---	--------------------

### China RoHS

Environment friendly use period (EFUP)	EFUP-E
	No hazardous substances above the limits

### EU REACH SVHC

REACH candidate substance (CAS No.)	No substance above 0.1 wt%
-------------------------------------	----------------------------

# CES-SRG-BK-8 - Cable sleeve

0801625

<https://www.phoenixcontact.com/pc/products/0801625>



## Accessories

### KDT-ST 8 - Filler plug

3063976

<https://www.phoenixcontact.com/pc/products/3063976>



Filler plug, material: PA, length: 20 mm, diameter: 8 mm

---

### CES-B10-HFFS-PLBK - Sealing frame

0801663

<https://www.phoenixcontact.com/pc/products/0801663>



Sealing frame, With locking latch, design: B10, Number of cable seals (small): 6, material: PA (halogen-free), color: black, length: 99.2 mm, width: 58 mm, height: 20 mm

## CES-SRG-BK-8 - Cable sleeve

0801625

<https://www.phoenixcontact.com/pc/products/0801625>

## CES-B16-HFFS-PLBK - Sealing frame

0801662

<https://www.phoenixcontact.com/pc/products/0801662>



Sealing frame, With locking latch, design: B16, Number of cable seals (small): 8, material: PA (halogen-free), color: black, length: 120 mm, width: 58 mm, height: 20 mm

---

## CES-B24-HFFS-PLBK - Sealing frame

0801661

<https://www.phoenixcontact.com/pc/products/0801661>



Sealing frame, With locking latch, design: B24, Number of cable seals (small): 10, material: PA (halogen-free), color: black, length: 147 mm, width: 58 mm, height: 20 mm

## CES-SRG-BK-8 - Cable sleeve

0801625

<https://www.phoenixcontact.com/pc/products/0801625>

## CES-B10-SFFS-PLBK - Sealing frame

0801660

<https://www.phoenixcontact.com/pc/products/0801660>



Sealing frame, with screw locking, design: B10, Number of cable seals (small): 6, material: PA (halogen-free), color: black, length: 99.2 mm, width: 58 mm, height: 20 mm

---

## CES-B16-SFFS-PLBK - Sealing frame

0801659

<https://www.phoenixcontact.com/pc/products/0801659>



Sealing frame, with screw locking, design: B16, Number of cable seals (small): 8, material: PA (halogen-free), color: black, length: 120 mm, width: 58 mm, height: 20 mm

## CES-SRG-BK-8 - Cable sleeve

0801625

<https://www.phoenixcontact.com/pc/products/0801625>



## CES-B24-SFFS-PLBK - Sealing frame

0801658

<https://www.phoenixcontact.com/pc/products/0801658>



Sealing frame, with screw locking, design: B24, Number of cable seals (small): 10, material: PA (halogen-free), color: black, length: 147 mm, width: 58 mm, height: 20 mm

---

Phoenix Contact 2026 © - all rights reserved

<https://www.phoenixcontact.com>

PHOENIX CONTACT GmbH & Co. KG

Flachsmarktstraße 8

D-32825 Blomberg

+49 (0) 5235-3 00

[info@phoenixcontact.com](mailto:info@phoenixcontact.com)