

Form 453-010201

Description

Part Number	Description
ODC5R	Reed Relay Output, 5 VDC Logic

The ODC5R is a Form A mechanical relay I/O module. This module is ideal for applications requiring a dry-contact closure. These applications include multiplexing of communication lines or analog signals where a low-contact resistance is needed.



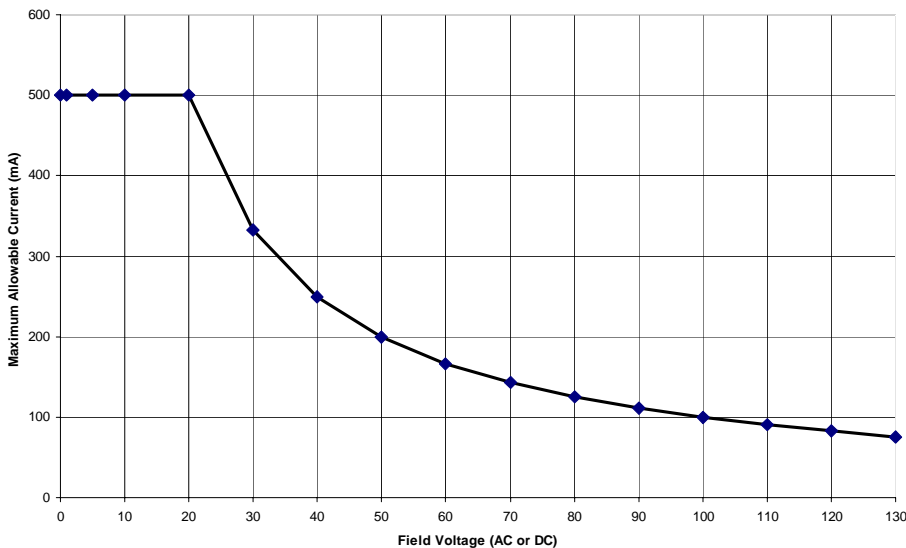
Specifications

Contact type	Form A SPST-normally open
Line Voltage - Range	0-100 VDC 0-130 VAC (see Note 1)
Current Rating 0°C to 70° Ambient	0.5 Amps Switching (see Note 1)
Contact Rating	10 VA
Switching volts	100 VDC/130VAC maximum
Switching current	0.5 amperes maximum
Carry current	1.5 amps maximum
Contact on-resistance	200 milliohms
Turn-on time	500 microseconds
Turn-off time	500 microseconds
Contact bounce	250 microseconds
Mechanical life	5 x 10 ⁶ cycles
Logic voltage range	4.8–6 volts
Logic dropout voltage	0.8 volts
Logic input current @ Normal logic voltage	14 milliamperes
Isolation voltage Inout-to-output	1500 VDC
Temperature Operating	0°C to 70° C

* **Note 1:**
The power rating of the dry contact module must not exceed 10 VA under steady state or momentary in-rush conditions. For voltages at or below 20 volts, the current limit is 0.5 amps. For voltages above 20 volts, the maximum allowable current is determined by the following equation:

$$\frac{10 \text{ VA}}{\text{Voltage}} = \text{Current maximum}$$

10 VA RATING FOR REED RELAY (DRY CONTACT) MODULES



Current Limit at Key Voltages	
V	mA
5	500
12	500
24	416
100 ¹	100
120	83
130 ²	76

Note 1: Maximum DC voltage is 100 VDC.
Note 2: Maximum AC voltage is 130 VAC.

OPTO 22

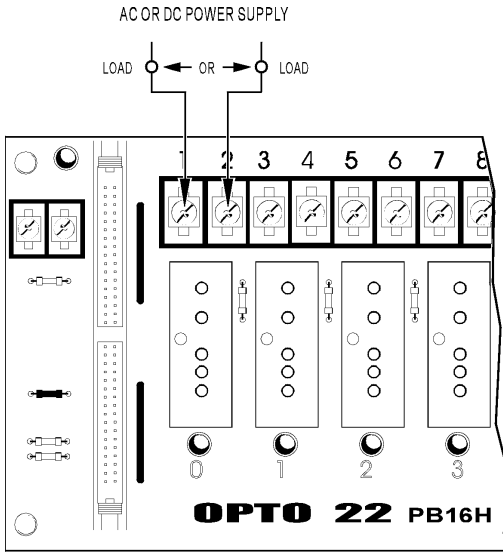
DATA SHEET

Form 453-010201

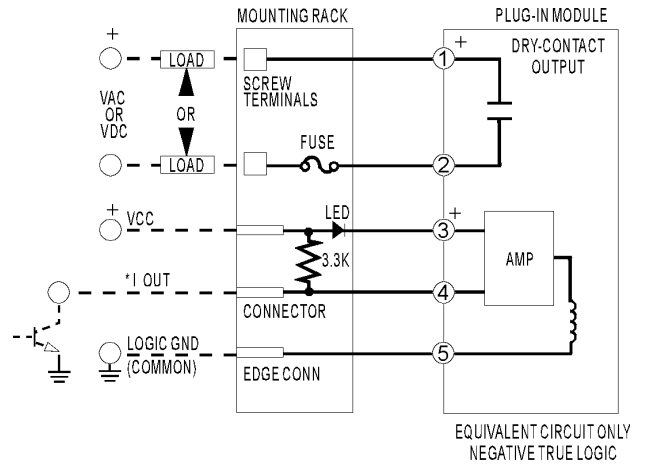
I/O MODULES STANDARD DIGITAL OUTPUT

page 3/3

Connections



Schematics



* Control line is compatible with totem pole or tri-state output device.

Dimensions

