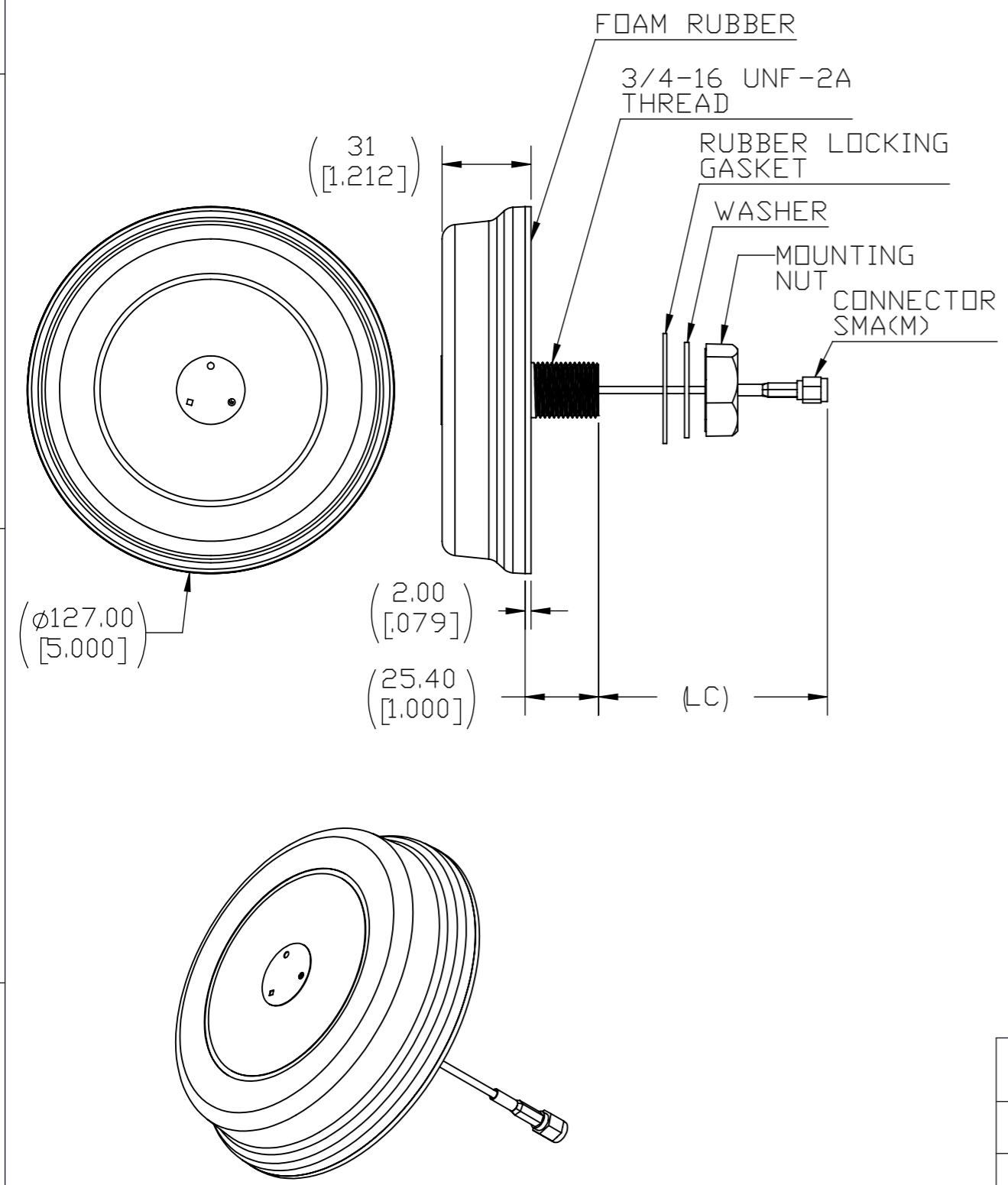


REVISIONS

REV	DESCRIPTION	DATE	DWN	APVD
F01	(ECN-IAS-04310) INITIAL RELEASED	03JUL15	YS TAN	HANG
A1	CHANGE TO TE DRAWING FORMAT	25MAR25	KS	C.HANG



PARAMETER	PERFORMANCE								
TE CONNECTIVITY PART NUMBER	LPS69273NT-61SMAM								
ANTENNA TYPE	SISO OMNI								
CONNECTOR TYPE	SMA MALE								
CABLE TYPE	RG316								
PIGTAIL LENGTH ,LC	610.00±15.00[24.015±.590] (2FT ±0.05FT)								
FREQUENCY BANDS, MHZ	698-806	824-894	880-960	1710-1880	1850-1990	1910-2170	2300-2500	2500-2700	
PEAK GAIN, DBI (TYP)									
ON METAL HOUSING	2.1	0.7	1.7	5.4	4.6	4.5	3.4	3.7	
ON PLASTIC HOUSING W/ GROUND PLANE KIT	2.4	1.1	2.3	5.5	4.4	4.0	3.8	3.8	
PEAK GAIN, DBI (MAX)									
ON METAL HOUSING	2.5	1.1	2.3	5.9	4.8	4.9	3.8	4.0	
ON PLASTIC HOUSING W/ GROUND PLANE KIT	2.9	1.4	3.1	5.9	5.3	4.3	4.4	4.3	
MAXIMUM VSWR	3.0:1								
NOMINAL IMPEDANCE	50Ω								
MAX POWER (AMBIENT TEMP OF 25°C)	10 WATTS								
POLARIZATION	LINEAR, VERTICAL								
AZIMUTH BEAM WIDTH	OMNIDIRECTIONAL								
WEIGHT	APPROXIMATELY 0.2KG (0.44LB)								
STORAGE TEMPERATURE (°C)	-40° C TO +85° C (-40°F TO +185°F)								
OPERATIONAL TEMPERATURE (°C)	-30° C TO +70° C (-22°F TO +158°F)								
OUTDOOR RATED	YES, IP67								
RADOME	PC, UL94 V-0 RATING, BLACK								
ROHS	YES								

THIS DRAWING IS A CONTROLLED DOCUMENT.

DWN YS TAN 03JUL2015
 CHK YJ TEQH 03JUL2015
 APVD C.HANG 03JUL2015

TE Connectivity

NAME: INFRA M2M,OMNI SISO 3G-4G,SMAM,RG316

DIMENSIONS: mm[INCH]

TOLERANCES UNLESS OTHERWISE SPECIFIED:
 0 PLC ± 0.5
 1 PLC ± 0.25
 2 PLC ± 0.130
 3 PLC ±
 4 PLC ±
 ANGLES ± 30'

MATERIAL: N/A

FINISH: N/A

PRODUCT SPEC REFER TABLE
 APPLICATION SPEC N/A
 WEIGHT REFER TABLE

SIZE: A3
 CAGE CODE: 00779
 DRAWING NO: LPS69273NT-61SMAM
 RESTRICTED TO: []

CUSTOMER DRAWING

SCALE: 1:2

SHEET: 1 OF 1

REV: A1