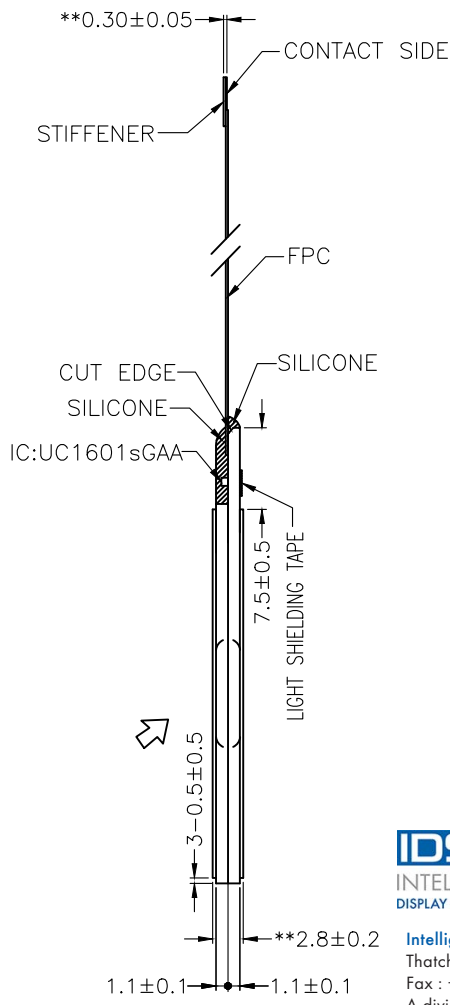
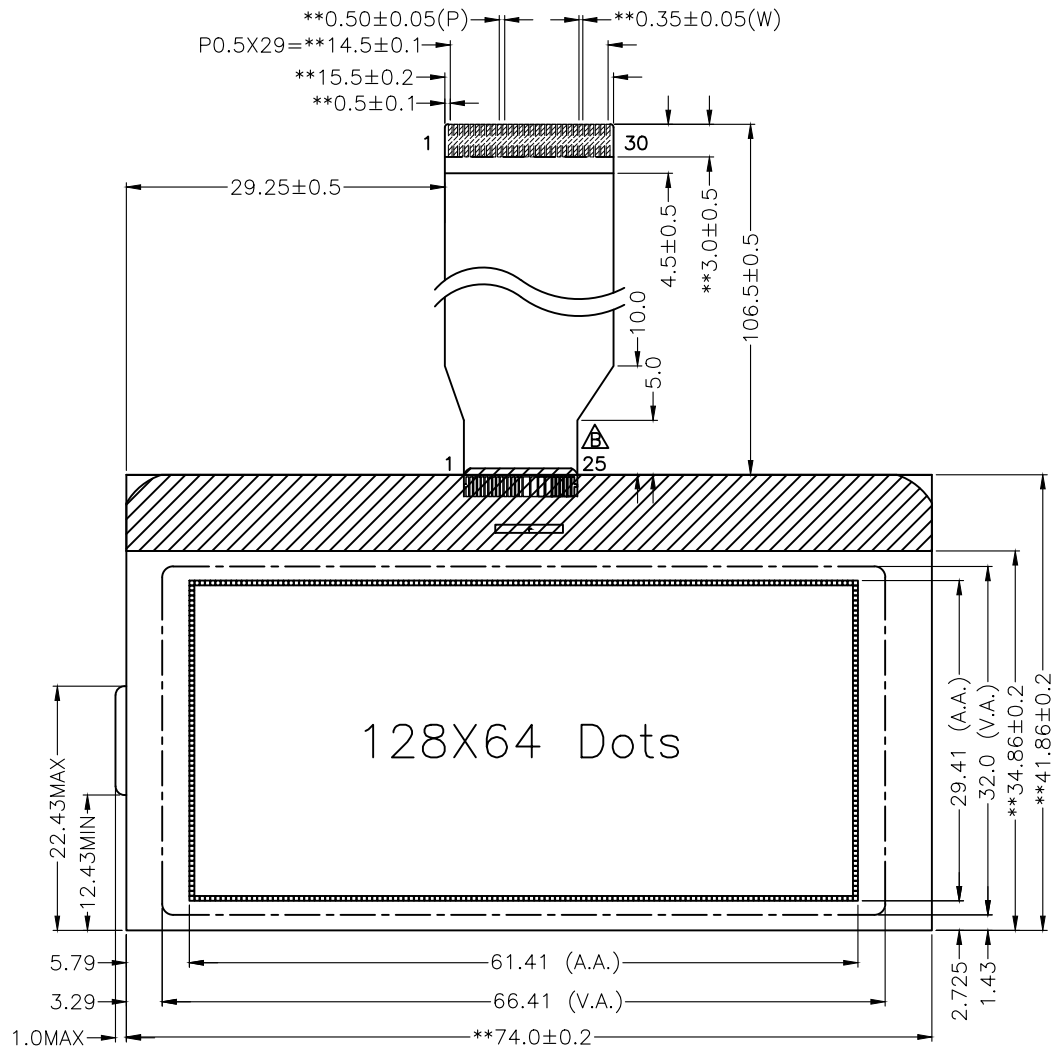
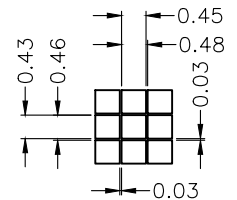


REV	Description	Date
A01	Change LCD Mode	2016-DEC-12



Pin Assignment:

1	CS0	16	VDD
2	RST	17	VDD2
3	CD	18	VSS
4	WR0	19	VSS2
5	WR1	20	VB1+
6	D0	21	VB1+
7	D1	22	VB1-
8	D2	23	VB1-
9	D3	24	VB0-
10	D4	25	VB0-
11	D5	26	VB0+
12	D6	27	VB0+
13	D7	28	VLCD_OUT
14	BM0	29	VLCD_IN
15	BM1	30	NC



Intelligent Display Solutions, Unit 2, Berkshire Business Centre, Berkshire Drive, Thatcham, Berkshire, RG19 4EW Telephone : +44 (0)1635 294600 Fax : +44 (0)1635 869200 Email: info@i-d.com www.i-d.com A division of Intelligent Group Solutions Ltd

- SPECIFICATIONS:
- 1) FSTN/+VE/B&W/REFLECTIVE MODE
 - 2) 1/65 DUTY, 1/9 BIAS, VOP=10V
 - 3) VIEWING ANGLE = 6 O'CLOCK
 - 4) OP. TEMP.= -20°C TO +70°C
ST. TEMP.= -30°C TO +80°C
 - 5) DRIVER: UC1601S, VDD=3.3V

Description: **MECHANICAL SPECIFICATIONS**

Scale: **Sheet : 1 of 1**

Unspecified Tol. **±0.3** Unit **mm**

Approvals **Date** Project Number **Item Number**

Draw: **CI064-4021-31**

Check:

Approve: **Do Not Scale This Drawing**

TRI-T COMPANY LIMITED

Projection