

P	LTR	DESCRIPTION	DATE	DWN	APVD
	A	ECN-25-358921;GTP	12DEC2025	TP	WILL

NOTES:

ALL DIMENSIONS ARE NOMINAL FOR REFERENCE ONLY UNLESS OTHERWISE STATED.

RoHS: COMPLIANT.

SPECIFICATIONS:

IMPEDANCE: 75Ω

FREQUENCY: DC TO 12GHz

VSWR/RL: 1.065 MAX. / 30 dB MIN.@DC~1.5GHz
 1.173 MAX. / 22 dB MIN.@1.5~3GHz
 1.288 MAX. / 18 dB MIN.@3~6GHz
 1.433 MAX. / 15 dB MIN.@6~12GHz

INSERTION LOSS: 0.3 dB MAX.

CONTACT RESISTANCE:

CENTER: 3.0 MΩ MAX.

OUTER: 2.0 MΩ MAX.

VOLTAGE RATING: 500 VRMS MAX

DIELECTRIC WITHSTANDING VOLTAGE: 1500V MAX

INSULATION RESISTANCE: 5000MΩ

MECHANICAL CHARACTERISTICS

DURABILITY: 500 CYCLES.

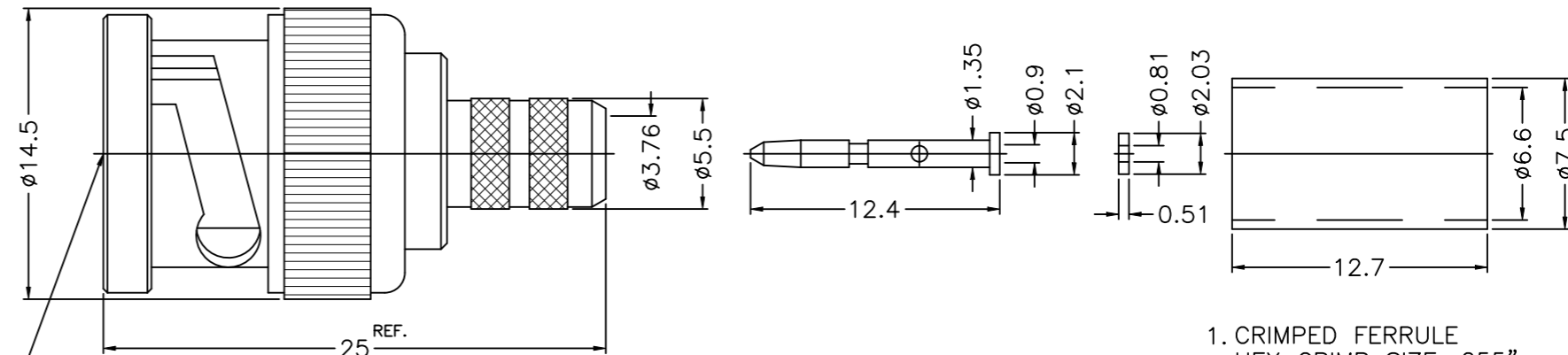
ENGAGEMENT AND DISENGAGEMENT FORCE:

ENGAGEMENT: 2.5 in-lbs MAX.

DISENGAGEMENT: 3 lbs MAX.

ENVIRONMENTAL PARAMETER

TEMPERATURE RANGE: -65°C TO +165°C



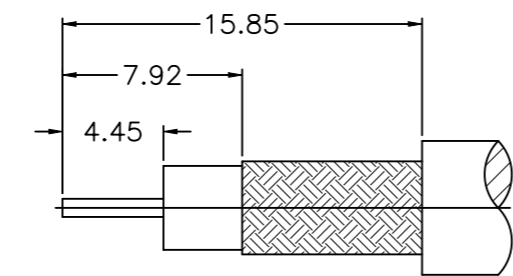
INTERFACE PER MIL-STD 348, BNC PLUG

- 1. CRIMPED FERRULE HEX CRIMP SIZE .255"
- 2. CRIMPED CONTACT PIN HEX CRIMP SIZE .041" OR .042"

NOTES:

FINISH (PLATING THICKNESS IN MICRO-INCHES)

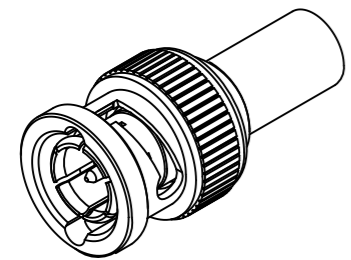
- 1 100 MICROINCHES MIN NICKEL PLATED. 50 MICROINCHES MIN OVER COPPER UNDERPLATED
- 2 3 MICROINCHES MIN GOLD PLATED, 100 MICROINCHES MIN OVER NI-P (WT%10) NICKEL UNDERPLATED.



RECOMMENDED CABLE STRIPPING DIM'S (FOR BELDEN 1505A/4505R CABLE)

QTY	NOTE	MATERIAL	DESCRIPTION	ITEM
1	NOTE 1	BERYLLIUM COPPER	OUTER CONTACT	11
1	NOTE 1	BRASS	FERRULE	10
1	NATURAL	PTFE	INSULATOR	9
1	NOTE 2	BRASS	CONTACT PIN	8
1	NOTE 1	BRASS	WASHER	7
1	NOTE 1	SK5	SPRING	6
1	NOTE 1	BRASS	RETAINER RING	5
1	RED	SILICONE RUBBER	GASKET	4
1	NATURAL	PTFE	INSULATOR	3
1	NOTE 1	BRASS	BODY	2
1	NOTE 1	BRASS	SHELL	1

QUANTITY PER ASSY PARTS LIST



THIS DRAWING IS A CONTROLLED DOCUMENT.		DWN TP 01AUG2025	TE Connectivity NAME: 12G SDI 75 ohm BNC Plug 1505A/4505R Type				
DIMENSIONS: mm		CHK TP 01AUG2025				PRODUCT SPEC	---
TOLERANCES UNLESS OTHERWISE SPECIFIED:		APVD WILL 01AUG2025				APPLICATION SPEC	---
0 PLC ± 0.3 1 PLC ± 0.2 2 PLC ± 0.1 3 PLC ± 0.05 4 PLC ± - ANGLES ± 1		WEIGHT 10.45 G				SIZE A3	CAGE CODE 00779
MATERIAL SEE TABLE		FINISH -	DRAWING NO C=2510950	RESTRICTED TO -			
CUSTOMER DRAWING			SCALE 1:1	SHEET 1 OF 1	REV A		