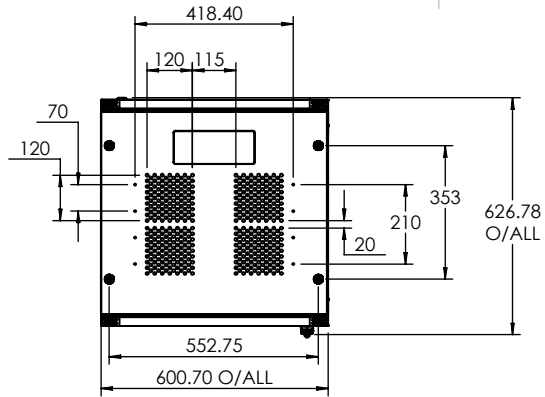
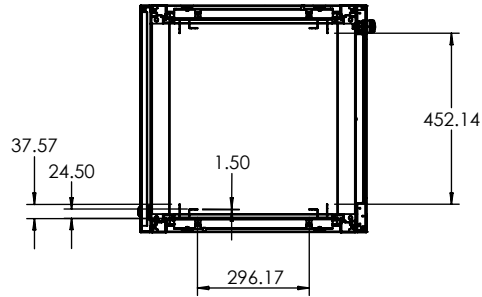
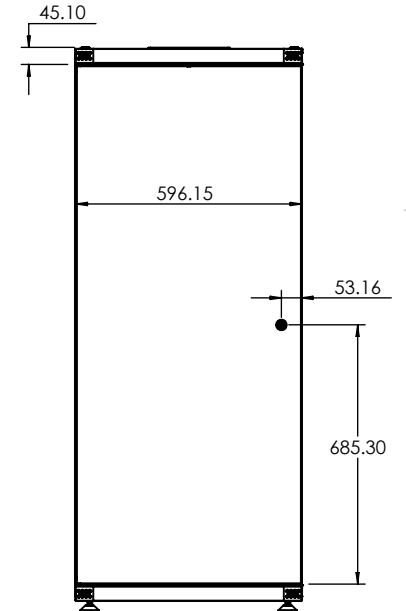
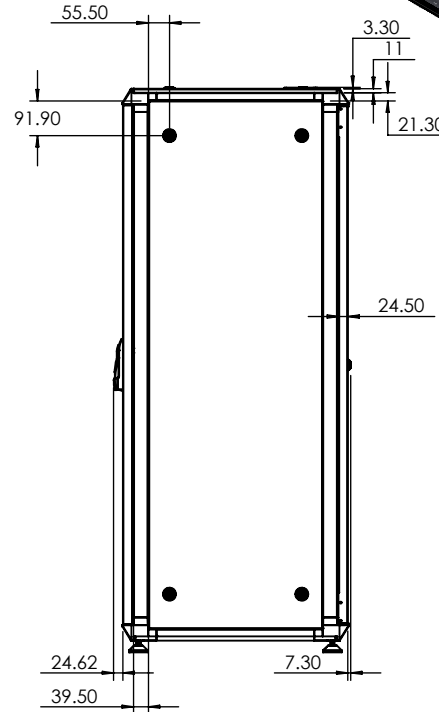
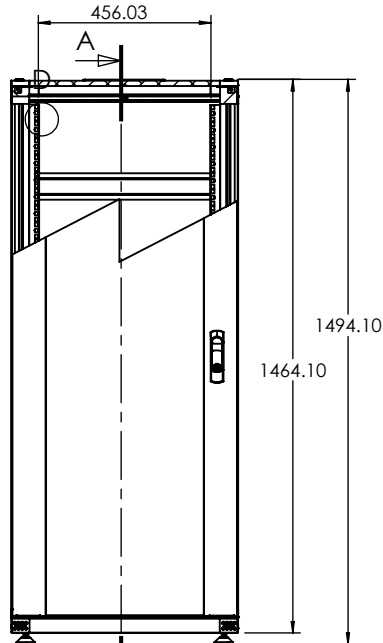
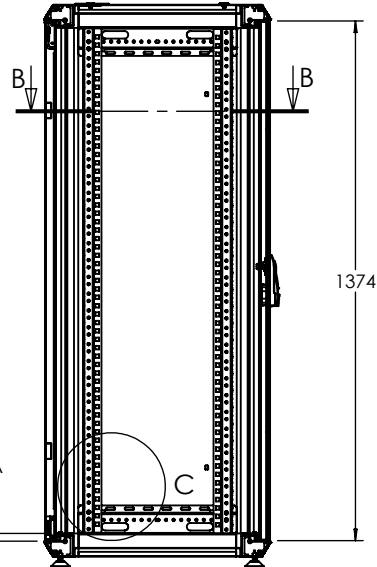


SECTION B-B

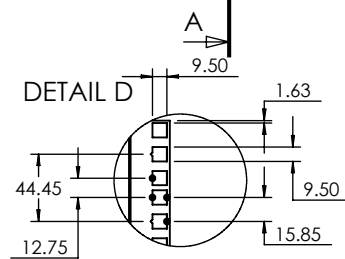
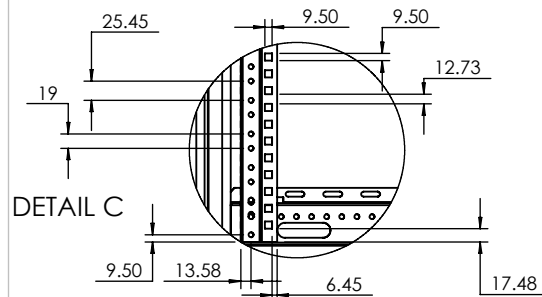


ISO VIEW  
1 : 25



SECTION A-A

DETAIL D



**CAMDENBOSS**  
ELECTRONICS & ENCLOSURES

JAMES CARTER RD, MILDENHALL, SUFFOLK. IP28 7DE  
TEL: 01638 716101 FAX: 01638 716554  
EMAIL: Sales@CamdenBoss.com  
WEB: www.CamdenBoss.com

UNLESS OTHERWISE SPECIFIED:  
DIMENSIONS ARE IN MILLIMETERS

GENERAL TOLERANCES +/- 0.2

FINISH. POWDER COATED  
RAL: 7016

MATERIAL. VAR

PROJECTION.

DO NOT SCALE DRAWING

REVISION.

TITLE:  
**CAMRACK LX WITH GLASS DOOR**  
**30U 600 X 600**

DWG NO. **CLX306601** A4

SCALE. 1:20 SHEET 1 OF 1

	NAME	SIGNED	DATE
DRAWN	IAN PAGANO	I.P.	19/11/13
CHK'D	DAN SMALLEY	D.S.	19/11/13