

# 3M™ Versaflo™ TR-600 & TR-800 Filters

## Technical Data Sheet

### Description

The following filters are made to be used with the Versaflo™ TR-600 and TR-800 Powered Air Purifying Respirators (PAPR) for protection against particulates and some specified gases and vapours. These filters used with the TR-602E or TR-802E Powered Air Turbo are part of a respirator system compliant with the Australian/New Zealand Standard AS/NZS 1716:2012

### Specifications

The following filter options are available for the TR-602E/TR-802E Powered Air Turbo's:

- TR-6710ANZ PAPR-P3 For use against all particulates
- TR-6310ANZ PAPR-A1P3 For use against all particulates and organic vapours (Boiling Pt >65°C)
- TR-6110E PAPR-P3 For use against all particulate and nuisance\* level Organic Vapours
- TR-6580ANZ PAPR-A1B1E1HgP3 For use against all particulate, Organic Vapours (Boiling Pt >65°C), Acid Gases, Sulphur Dioxide and mercury vapour\*\*\* and nuisance\* level ammonia
- TR-6600 Prefilter Used to extend the service life of the main particle filter
- TR-6350N Formaldehyde/HEPA Particulate. For use against formaldehyde and all particulates. NIOSH Approved
- TR-662 Spark Arrestor

Filter can be used without filters covers if so desired. Cover is required if needing to use prefilter and/or spark arrestor or if showering while wearing the air filter unit.

### Application

These filters are designed to capture airborne particulates (thermally and/or mechanically generated particulates) of all sizes as well as certain gases and vapours as rated. The TR-6110E also has a limited capability to adsorb organic vapours. These are for use against nuisance levels of these gas/vapours ie airborne concentrations that are below the relevant Workplace Exposure Standard for the specific gas/vapours involved.



### Compatible with

**TR-600**



QR-TR600

Scan or Click for Tech Data Sheet



TR-600      TR-800

**TR-800**



QR-TR800

Scan or Click for Tech Data Sheet



QR-CAT-SLS

For assistance in determining 3M TR-600 & TR-800 gas/vapour cartridge breakthrough and filter change schedules for certain gas/vapour contaminants visit the free **3M Select and Service Life (SLS) Software** | [www.3m.com/sls](http://www.3m.com/sls)

\* Nuisance levels are those levels below the Workplace Exposure Standards (WES) / Workplace Exposure Limits (WEL)  
\*\*\*These filters have a maximum use time of 50 hours against mercury vapour.

## Materials

The following materials are used in this filter range:

- Filter Body - ABS
- Gas/Vapour Filter element - Activated Carbon
- Particulate Filter Element - Fibreglass

## Standards

Complies with AS/NZS 1716:2012 (Respiratory protective devices). Use in accordance with AS/NZS 1715:2009 (Selection, use and maintenance of respiratory protective equipment).

## Service Life

The service life of these filters will vary according to the time of use, the selected flow rate and level of exposure to airborne particulates and/or gas/vapours. There is a visual and audible alarm on the control panel of the air filter unit (and a vibratory alarm for the TR-602E only) and an indication of current condition of the particle filter. When the particle filter full warning indicates, the filter will need to be replaced with a new one. A filter change schedule for the gas/vapour cartridges must be determined by the workplace.

For assistance in determining TR-600 & TR-600 gas/vapour cartridge breakthrough and filter change schedule for certain gas/vapour contaminants visit the free 3M Select and Service Life Software at <https://sls.3m.com/>

## Disposal

If disposal of parts is required, this should be undertaken in accordance with local health and safety and environmental regulations.

## Technical Specifications

When selected and used in accordance with the standard (AS/NZS 1715:2009) these filters are capable of providing the following protection when fitted with one of the appropriate cartridge filters, the VersaFlo™ TR-602E/TR-802E PAPR and headtop combinations will give the wearer:

### TR-6710ANZ PAPR-P3

- A protection factor of 50 against mechanically and thermally generated particles with a loose fitting head top/hood.
- A protection factor of 100+ against mechanically and thermally generated particles with a tight fitting full facepiece.
- A protection factor of 10 against mechanically and thermally generated particles with a tight fitting half facepiece.

### TR-6310ANZ PAPR-A1P3 -For use against all particulates and organic vapours (Boiling Pt >65°C)

- A protection factor of 50 against mechanically and thermally generated particles and a protection factor of 10 against organic gas/vapours with boiling point >65°C with a loose fitting head top/hood.

- A protection factor of 100+ against mechanically and thermally generated particles and a protection factor of 10 against organic gas/vapours with boiling point >65°C with a tight fitting full facepiece.
- A protection factor of 10 against mechanically and thermally generated particles and a protection factor of 10 against organic gas/vapours with boiling point >65°C with a tight fitting half facepiece.

### TR-6110E – PAPR-P3– For use against all particulate and nuisance level\* Organic Vapours

- A protection factor of 50 against mechanically and thermally generated particles with a loose fitting head top/hood.
- A protection factor of 100+ against mechanically and thermally generated particles with a tight fitting full facepiece.
- A protection factor of 10 against mechanically and thermally generated particulates on a tight fitting half facepiece.

\* Nuisance levels are those levels below the Workplace Exposure Standards/ (WES) Workplace Exposure Limits (WEL).

### TR-6580ANZ – PAPR-A1B1E1HgP3

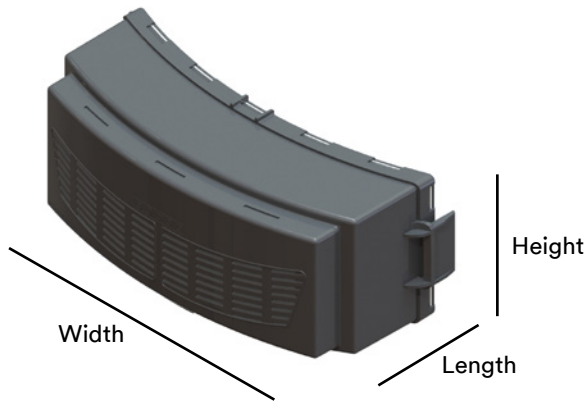
- A protection factor of 50 against mechanically and thermally generated particles and a protection factor of 10 against organic gas/vapours with boiling point >65°C, acid gases, sulfur dioxide, mercury with a loose fitting head top/hood.
- A protection factor of 100+ against mechanically and thermally generated particles and a protection factor of 10 against organic gas/vapours with boiling point >65°C, acid gases, sulphur dioxide and mercury with a tight fitting full facepiece.
- A protection factor of 10 against mechanically and thermally generated particles and a protection factor of 10 against organic gas/vapours with boiling point >65°C, acid gases sulphur dioxide and mercury with a tight fitting half facepiece.

### TR-6350N NIOSH Formaldehyde/HEPA

- For use against all particulates and formaldehyde
- A protection factor of 50 against mechanically and thermally generated particles and a protection factor of 10 against formaldehyde with a loose fitting head top/hood.
- A protection factor of 100+ against mechanically and thermally generated particles and a protection factor of 10 against formaldehyde with a tight fitting full facepiece.
- A protection factor of 10 against mechanically and thermally generated particles and a protection factor of 10 against formaldehyde with a tight fitting half facepiece.

## Filter Dimensions

The dimensions refer to the following



Length refers to the highest point of the curve and to the end of the clip

### TR-6710ANZ

Width	242mm
Height	107mm
Length	61mm
Weight	0.23kg

### TR-6310ANZ

Width	242mm
Height	107mm
Length	104mm
Weight	0.7kg

### TR-6350N

Width	242mm
Height	107mm
Length	104mm
Weight	0.7kg

### TR-6110E

Width	242mm
Height	107mm
Length	87mm
Weight	0.27kg

### TR-6580ANZ

Width	242mm
Height	107mm
Length	111mm
Weight	0.79kg

NOTE: Filters can be used without filters covers if so desired. Cover is required if needing to use prefilter and/or spark arrestor or if showering while wearing the air filter unit.

## Filter Covers

The following filter and filter cover options are available for the TR-602E/TR-802E Powered Air Turbo's:

Model #	Rating	Filter Cover
TR-6710ANZ – for particulates only	PAPR-P3	TR-6700FC
TR-6310ANZ – for particulates and Organic Vapours (B.Pt. >65C)	PAPR-A1P3	TR-6300FC
TR-6350N	NIOSH Formaldehyde/ HEPA	TR-6300FC
TR-6110E – for particulates and nuisance level* Organic Vapours	PAPR-P3	TR-6100FC
TR-6580ANZ – For use against all particulate, Organic Vapours (B.Pt. >65C), nuisance level ammonia, Acid Gases, Sulphur Dioxide and mercury vapour***	PAPR- A1B1E1HgP3	TR-6500FC
TR-6600	Pre-filter	-

\* Nuisance levels are those levels below the Workplace Exposure Standards (WES) / Workplace Exposure Limits (WEL)

\*\*\*These filters have a maximum use time of 50 hours against mercury vapour.

Filter covers provide protection to the main filters but are not required for use, unless using a prefilter and/or spark arrestor.

## Shelf Life, Storage and Transportation

Shelf life of the unopened products is as follows from date of manufacture as indicated on the filter, when stored correctly.

5 years - TR-6310ANZ, TR-6580ANZ, TR-6710ANZ and TR-6110E, TR-6350N

These products should be stored in the packaging provided in dry, clean conditions, away from direct sunlight, sources of high temperature, petrol and solvent vapours. Do not store outside the temperature range -30°C to +50°C or with humidity above 90%. If the product will be stored for an extended period of time before use, the suggested storage temperature is 4°C to 38°C.

Before initial use, always check that the product is within the stated shelf life. When storing or transporting this product use original packaging provided.

Storing the filters in an airtight container will help prolong the service life by reducing exposure to moisture and contaminants.

As per AS/NZS 1715:2009 Section 4.2.5.3, "All classes of gas filter shall be discarded no longer than six months after opening, irrespective of the number of periods of use".

## Warnings & Limitations

Particular attention should be given to warning statements where indicated. Proper selection, fit, training, use and appropriate maintenance are essential in order for the product to help protect the wearer from certain airborne contaminants. Failure to follow all instructions on the use of these respiratory protection products and/or failure to properly wear the complete product during all periods of exposure may adversely affect the wearer's health, lead to severe or life threatening illness or permanent disability.

Always be sure that the complete product is:

- Suitable for the application;
- Fit tested (where required) and fitted correctly;
- Worn during all periods of exposure;
- Replaced when necessary.

For suitability and proper use follow local regulations, refer to all information supplied or contact an occupational hygienist, safety professional or 3M representative or Customer Service Australia 1300 363 565 New Zealand 0800 252 627.

Use this respirator system strictly in accordance with all User Instructions:

- Do not submerge the filters in liquid.
- Do not use for respiratory protection against unknown atmospheric contaminants or when concentrations of contaminants are unknown or immediately dangerous to life or health (IDLH).

NOTE: Save all user instructions for continuing reference.

## Ordering Information

SAP ID	Legacy ID	Availability		Model #	Description
		AUS	NZ		
7100135784	UU008996215 (AU) NT070007769 (NZ)	•	•	TR-6310ANZ	3M™ Versaflo™ Filter TR-6310ANZ, PAPR-A1P3 Organic Vapour & Particulate, 5 ea/Case
7100027551	70071618345	•	•	TR-6350N	3M™ Versaflo™ Formaldehyde/HEPA Cartridge TR-6350N, for TR-600/800 PAPR, 5 EA/Case
7100021336	70071622065	•	•	TR-6300FC	3M™ Versaflo™ Filter Cover TR-6300FC/37380 (AAD), for TR-6310ANZ or TR-6530N Filter, 1 EA/Case
7100135783	UU008996223 (AU) NT070007777 (NZ)	•	•	TR-6580ANZ	3M™ Versaflo™ Filter TR-6580ANZ, PAPR-A1B1E1HgP3, 5 ea/Case for Organic Vapours, Acid Gases, Inorganic gases, Mercury vapour and particulates. Nuisance* Level Ammonia
7100021252	70071622073	•	•	TR-6500FC	3M™ Versaflo™ Filter Cover TR-6500FC, for TR-6580ANZ Filter, 1 EA/Case
7100135785	UU008996199 (AU) NT070007736 (NZ)	•	•	TR-6710ANZ	3M™ Versaflo™ High Efficiency Particle Filter TR-6710ANZ PAPR-P3, 5 ea/Case
7100021251	70071618261	•	•	TR-6700FC	3M™ Versaflo™ Filter Cover TR-6700FC/37356(AAD), for TR-6710ANZ Filter, 1 EA/Case
7100020996	CR180812388	•	•	TR-6110E	3M™ Versaflo™ Nuisance* Odour Organic Vapour PAPR-P3 Filter TR-6110E, 5 ea/Case
7100021248	70071622057	•	•	TR-6100FC	3M™ Versaflo™ Filter Cover TR-6100FC for TR-6100 Series Filters, 1/Box, 1 Box/Case
7100021255	70071618246	•	•	TR-6600	3M™ Versaflo™ Prefilter TR-6600/37354(AAD), for TR-600 PAPR, 50 EA/Case
7100035845	70071618253	•	•	TR-662	3M™ Versaflo™ Spark Arrestor TR-662, for TR-600/800 PAPR 2/BAG

\* Nuisance levels are those levels below the Workplace Exposure Standards (WES) / Workplace Exposure Limits (WEL)

\*\*\*These filters have a maximum use time of 50 hours against mercury vapour.

- Do not use in atmospheres containing <19.5% oxygen. (3M definition. Individual countries may apply their own limits on oxygen deficiency. Seek advice if in doubt).
- Do not use against contaminants with poor warning properties.
- The filter cannot be cleaned and should be replaced if excessively clogged.
- Keep inner filter seal clean. The seal can be cleaned with a wipe moistened with water or similar but ensure that water does not enter the filter.
- Never attempt to clean filters by knocking or blowing out accumulated material.

Leave the contaminated area immediately if:

- Any part of the system becomes damaged.
- Airflow to the face piece decreases or stops.
- Breathing becomes difficult or increased breathing resistance occurs.
- Dizziness or other distress occurs.
- You smell or taste contaminants or irritation occurs.
- Never alter, modify or repair this device.
- These products do not contain components made from natural rubber latex.

## Important Notice

To the extent permitted by law, 3M shall not be liable for any loss or damage including any loss of business, loss of profits, or for any indirect, special, incidental or consequential loss or damage arising from reliance upon any information herein provided by 3M. Nothing in this statement will be deemed to exclude or restrict 3M's liability for death or personal injury arising from its negligence.



## Technical Statement

**Technical Information:** The technical information, guidance, and other statements contained in this document or otherwise provided by 3M are based upon records, tests, or experience that 3M believes to be reliable, but the accuracy, completeness, and representative nature of such information is not guaranteed. Such information is intended for people with knowledge and technical skills sufficient to assess and apply their own informed judgment to the information. No license under any 3M or third party intellectual property rights is granted or implied with this information.

**Product Selection and Use:** Many factors beyond 3M's control and uniquely within user's knowledge and control can affect the use and performance of a 3M product in a particular application. As a result, customer is solely responsible for evaluating the product and determining whether it is appropriate and suitable for customer's application, including conducting a workplace hazard assessment and reviewing all applicable regulations and standards. Failure to properly evaluate, select, and use a 3M product in accordance with all applicable instructions and with appropriate safety equipment, or to meet all applicable safety regulations, may result in injury, sickness, death, and/or harm to property.



**3M Australia Pty Ltd**  
Personal Safety Division  
Bldg A, 1 Rivett Road  
North Ryde NSW 2113  
Customer Service: 1300 363 565  
Email: [3msupport.safety.au@mmm.com](mailto:3msupport.safety.au@mmm.com)  
Web: [www.3M.com/au/ppesafety](http://www.3M.com/au/ppesafety)

**3M New Zealand Ltd**  
Personal Safety Division  
94 Apollo Drive, Rosedale  
Auckland 0632  
Customer Service: 0800 252 627  
Email: [3msupport.safety.nz@mmm.com](mailto:3msupport.safety.nz@mmm.com)  
Web: [www.3M.com/nz/ppesafety](http://www.3M.com/nz/ppesafety)

3M & Versaflo are trademarks of 3M Company.  
© 3M 2025. All rights reserved.