



Part Number : [50362281](#)

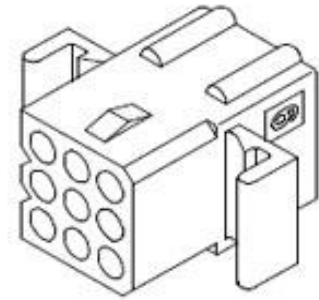
Product Description : 1.57mm Diameter Standard .062" Pin and Socket Receptacle Housing, 9 Circuits, with Pre-bent Mounting Ears, Black, Glow-Wire Capable

Series Number : 1625

Status : Active

Product Category : Connector Housings

Engineering Number : 1625-9R4-1



Documents & Resources

Drawings

[050362281_sd.pdf](#)

3D Models and Design Files

[STEP AP242](#)

[SOLIDWORKS](#)

[Creo](#)


Specifications

[PK-1625-003-001.pdf](#)

[PS-02-06-001.pdf](#)

Product Environment Compliance

Compliance

| | |
|--------------------|--|
| GADSL/IMDS | Not Relevant |
| China RoHS |  per SJ/T 11365-2006 |
| EU ELV | Not Relevant |
| Low-Halogen Status | Not Low-Halogen per IEC 61249-2-21 |
| REACH SVHC | Not Contained per D(2025)4165-DC (25 June 2025) |
| EU RoHS | Compliant per EU 2015/863 |

Compliance Statements

- EU RoHS
- REACH SVHC
- Low-Halogen

Industry Documents

- IPC 1752A Class C
- IPC 1752A Class D
- Molex Product Compliance Declaration
- IEC-62474
- chemSHERPA (xml)

Substances of Interest

- PFAS

EU RoHS Certificate of Compliance

Additional Product Compliance Information

Part Details

General

| | |
|-------------|---|
| Status | Active |
| Category | Connector Housings |
| Series | 1625 |
| Description | 1.57mm Diameter Standard .062" Pin and Socket Receptacle Housing, 9 Circuits, with Pre-bent Mounting Ears, Black, Glow-Wire Capable |
| Application | Power, Wire-to-Wire |
| Comments | This Molex product is manufactured from material that has the following ratings, tested by independent agencies: a) A Glow Wire Ignition Temperature (GWIT) of at least 775 deg C per IEC 60695-2-13. b) A Glow Wire Flammability Index (GWFI) above 850 deg C per IEC 60695-2-12 and hence complies with the requirements set out in the International Standard IEC 60335-1 5th edition - household and similar electrical appliances - safety, section 30 Resistance to heat and fire. The customers using this |

| | |
|--------------|---|
| | product must determine its suitability for use in their particular application through testing or other acceptable means as described in end-product glow-wire flammability test standard IEC 60695-2-11 and any applicable product end-use standard(s). If it is determined during the customer's evaluation of suitability, that higher performance is required, please contact Molex for possible product options. |
| Product Name | Standard .062" |
| UPC | 883906186708 |

Agency

| | |
|-----|---------|
| CSA | LR19980 |
| UL | E29179 |

Physical

| | |
|-------------------------------|----------------|
| Circuits Detail | 3x3 |
| Circuits (maximum) | 9 |
| Color - Resin | Black |
| Flammability | 94V-0 |
| Gender | Receptacle |
| Glow-Wire Capable | Yes |
| Keying to Mating Part | None |
| Lock to Mating Part | Yes |
| Material - Resin | Nylon |
| Net Weight | 2.520/g |
| Number of Rows | 3 |
| Packaging Type | Bag |
| Panel Mount | Yes |
| Pitch - Mating Interface | 3.68mm |
| Pitch - Termination Interface | 3.68mm |
| Polarized to Mating Part | Yes |
| Stackable | No |
| Temperature Range - Operating | -40° to +105°C |

Mates With / Use With

Use with Part(s)

| Description | Part Number |
|--|-------------|
| Standard .062" Pin and Socket Female Crimp Terminals | <u>1561</u> |
| Standard .062" Pin and Socket Female Crimp Terminals | <u>1855</u> |
| Standard .062" Pin and Socket Male Crimp Terminals | <u>1560</u> |
| Standard .062" Pin and Socket Male Crimp Terminals | <u>1854</u> |
| Standard .062" Pin and Socket Male PC Tail Terminals | <u>1778</u> |
| Standard .062" Pin and Socket Female PC Tail Terminals | <u>1779</u> |