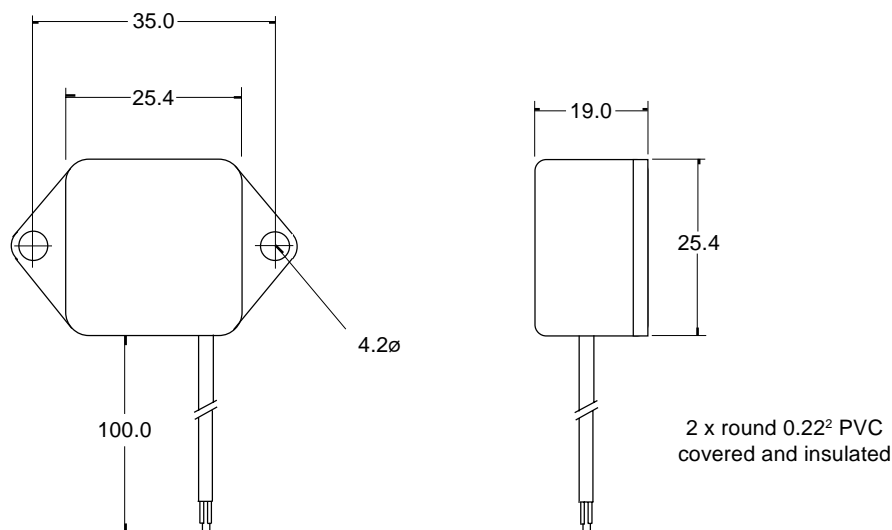


Manufactured in UK



Drawings not to scale
All dimensions in mm

This non-mercury sensor has been specifically designed for the detection of movement and vibration. The sensor is non position sensitive offering a similar level of sensitivity whatever its position and has been designed for use with analogue or digital circuitry. The sensor reacts when disturbed by giving a fleeting change of state (ie n/o to n/c or vice versa). The time taken to settle depends on the amount of energy absorbed by the device, the settled state will be random unless mounting attitude is chosen for a n/c output.

SPECIFICATION

OPERATING VOLTAGE	Max. Vdc	24
OPERATING CURRENT	Max. mA	25
OPERATING TEMPERATURE	Deg. °C	-20° + 70°
CASE MATERIAL		ABS
CABLE		PVC
FEATURES		Non-position sensitive gold plated contacts

This product is fully sealed to give maximum mechanical protection and minimise the ingress of dust and moisture. As a guide, the product is expected to meet the requirements of IP65.

MOTION SENSOR

PART NUMBER
MS 24P/10

Rev. No.	Revision Note	Date	Signature
B	Web site 2000	1-4-00	RG

The Comus Group of Companies consist of:
 Assemtech Europe Limited
 E. Bachem GmbH
 Comus International
 W. Gunther GmbH
 Gunther Belgium
 Gunther France
 S.T.G.

As part of the company policy of continued product improvement, specifications may change without notice. Our sales office will be pleased to help you with the latest information on this product range and details of our full design and manufacturing service. All products are supplied to our standard conditions of sale otherwise agreed in writing.