

Preparation of compressed air → Maintenance units and components

Filter pressure regulator, Series AS2-FRE

▶ G 1/4 - G 3/8 ▶ filter porosity: 25 µm ▶ lockable ▶ ATEX certified



00133866

ATEX	II 2G2D T4 X
Maintenance Unit	1-in-1, Can be assembled into blocks
Parts	Filter, Pressure controller
Regulator type	Diaphragm-type pressure regulator
Regulator function	with relieving air exhaust
Lock type	with padlock
Pressure supply	single
Installation location	vertical
Ambient temperature min./max.	-10 °C / +50 °C
Medium temperature min./max.	-10 °C / +50 °C
Working pressure min./max.	See table below
Adjustment range min./max.	See table below
Medium	Compressed air
Filter element	exchangeable
Filter reservoir volume	28 cm ³
Condensate drain	See table below
Materials:	
Housing	Polyamide
Threaded bushing	Die cast zinc
Cover	Acrylonitrile butadiene styrene
Seal	Acrylonitrile Butadiene Rubber
Filter insert	Polyethylene

Technical Remarks

- The pressure dew point must be at least 15 °C under ambient and medium temperature and may not exceed 3 °C.
- Max. particle count as per ISO 8573-4 at the outlet: 10 mg/m³

	Port	Qn	Working pressure min./max.	Adjustment range min./max.	Condensate drain	Note	Part No.
		[l/min]	[bar]	[bar]			
	G 1/4	2100	1.5 / 16	0.5 / 8	semi-automatic, open without pressure	1)	R412006180
	G 1/4	2100	1.5 / 16	0.5 / 10	semi-automatic, open without pressure	2); 3)	R412006218
	G 1/4	2100	1.5 / 16	0.5 / 10	fully automatic, open without pressure	2); 3)	R412006219
	G 1/4	2100	0 / 16	0 / 10	fully automatic, closed without pressure	2); 3)	R412006220
	G 3/8	2600	1.5 / 16	0.5 / 10	semi-automatic, open without pressure	2); 3)	R412006221
	G 3/8	2600	1.5 / 16	0.5 / 10	fully automatic, open without pressure	2); 3)	R412006222
	G 3/8	2600	0 / 16	0 / 10	fully automatic, closed without pressure	2); 3)	R412006223
Part No.							Weight
							[kg]
R412006180							0.537
R412006218							0.304

1) Reservoir: Die cast zinc

2) Reservoir: Polycarbonate

3) Protective guard: Polyamide

Nominal flow Qn at 6.3 bar and Δp = 1 bar.

Preparation of compressed air → Maintenance units and components
Filter pressure regulator, Series AS2-FRE

▶ G 1/4 - G 3/8 ▶ filter porosity: 25 µm ▶ lockable ▶ ATEX certified

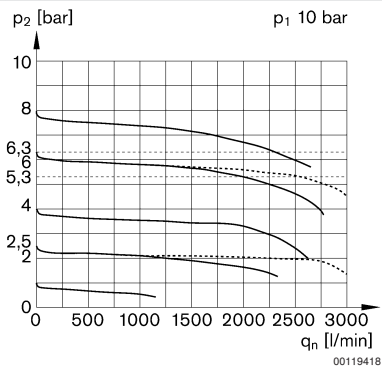
Part No.	Weight [kg]
R412006219	0.347
R412006220	0.347
R412006221	0.347
R412006222	0.347
R412006223	0.347

1) Reservoir: Die cast zinc

2) Reservoir: Polycarbonate

3) Protective guard: Polyamide

 Nominal flow q_n at 6.3 bar and $\Delta p = 1$ bar.

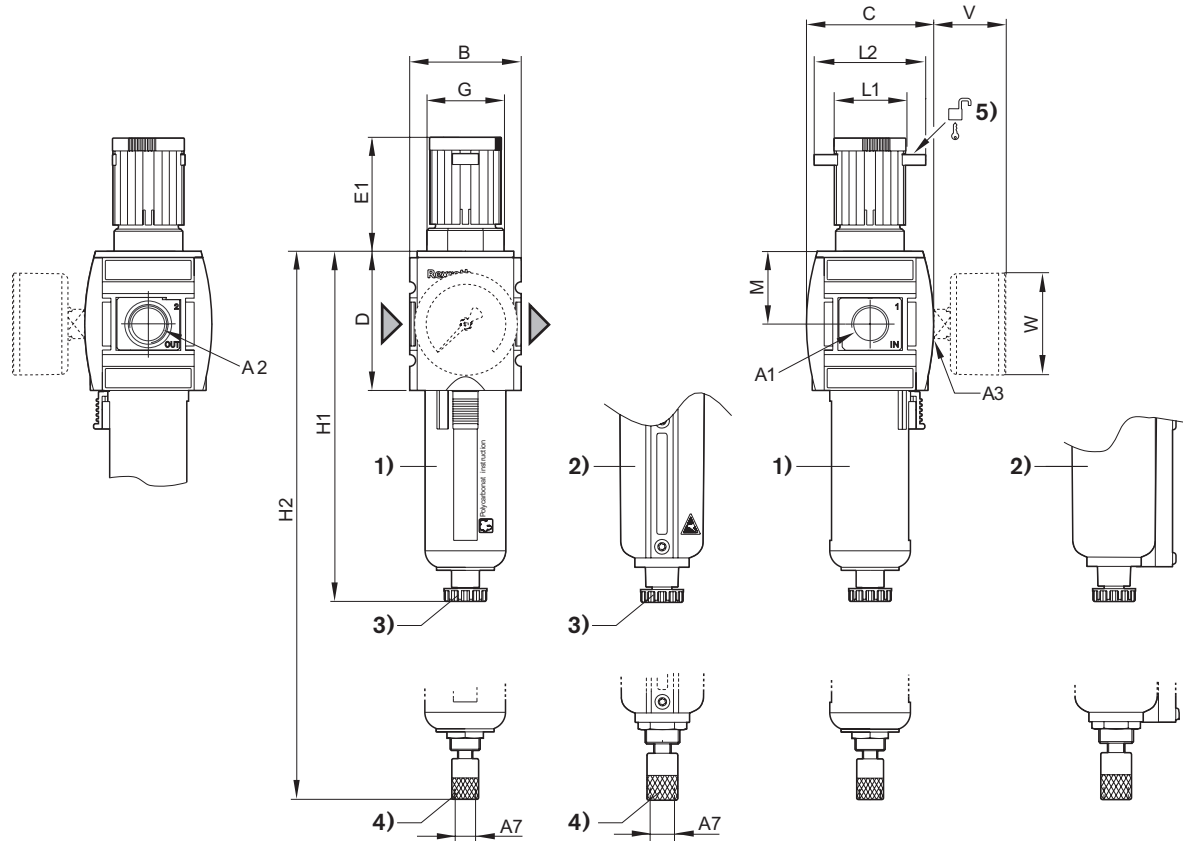
Flow rate characteristic

 p_1 = working pressure; p_2 = secondary pressure; q_n = nominal flow

Preparation of compressed air → Maintenance units and components

Filter pressure regulator, Series AS2-FRE

► G 1/4 - G 3/8 ► filter porosity: 25 µm ► lockable ► ATEX certified

Dimensions



- 1) Plastic reservoir and protective guard with window
- 2) Metal reservoir
- 3) Semi-automatic condensate drain
- 4) Fully automatic condensate drain
- 5) Mounting option for padlocks; max. shackle Ø 8

00133984

A1	A2	A3	A7	B	C	D	E1	G	H1	H2	L1	L2
G 1/4	G 1/4	G 1/4	G 1/8	52	59	65	57.9	M36x1,5	163.5	180.5	34	54
G 3/8	G 1/4	G 1/4	G 1/8	52	59	65	57.9	M36x1,5	163.5	180.5	34	54
A1	M	V	W									
G 1/4	34	37	50									
G 3/8	34	37	50									