



ComEx control stations

Features

- 3 standard enclosures
- Easy to install
- Extremely flexible
- Customer-tailored solutions

Description

ComEx is a flexible system offering standard as well as customer-specific local control and indicating units.

You have the choice between three standard enclosures which can accommodate up to three different control and indicating devices. Combinations of up to three ComEx enclosures are possible.

Either stuffing box glands in M20 x 1.5 and M25 x 1.5 made of plastic or cable glands made of metal are available for the electrical connection.

The plastic glands require no lock nuts.

Metal glands are screwed into a metal earth plate sheet inside of the enclosure. Maximum amount of cable glands: two off M20.

To ensure easier operation on site, each enclosure can be equipped with an individual info-label.

For offshore applications special oil-resistant attachments are available.

Explosion protection

Ex protection type

ATEX II 2G Ex ed IIC T6
 II 2D Ex tD A21 IP 65, IP 66, IP 67
 T80 °C

Certification

PTB 00 ATEX 1068

IECEX

Ex ed IIC T6
 Ex tD A21 IP 65, IP 66, IP 67 T80 °C

Certification

IECEX PTB 08.0022

Further approvals

UL, CSA, GOST, KTL, INMETRO, DNV

Other approvals and certificates, see www.bartec-group.com

Permissible ambient temperature

-55 °C to +60 °C
 (-20 °C to +60 °C for Zone 21 and 22)

Product printing

Standard: ATEX and IECEX marking.
 Other markings on request.
 Please specify in plain text.

Technical data

Connection

Terminals 2.5 mm²

PE conductor terminals

4 x 2.5 mm²

Rated insulation voltage

max. AC 690 V

Nominal current

max. 16 A

Cable entry

M20 x 1.5 for cable Ø 7 to 13 mm
 M25 x 1.5 for cable Ø 7 to 12 mm
 M25 x 1.5 for cable Ø 10 to 17 mm

Enclosure

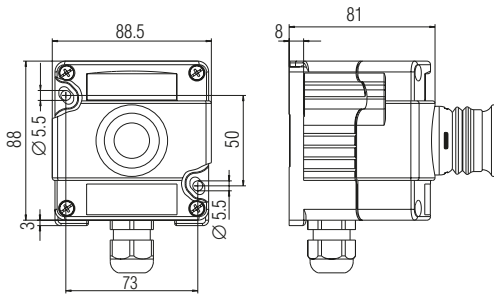
Thermoplastic

Protection class

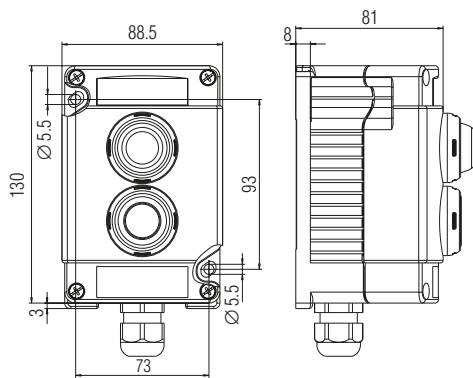
up to IP 66/IP 67



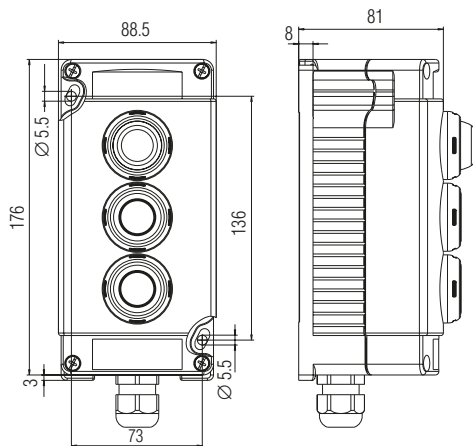
Control unit, single Type 07-3511-....



Control station, double Type 07-3512-....



Control station, triple Type 07-3513-....





Selection chart Actuator elements






Illustration	Description	Code no.	Illustration	Description	Code no.	
	Pushbutton with rubber membrane and with five loose labels: red, green, yellow, white, black	P7		Lock (DOM) lockable in both positions key retractable in both positions lock 4 A 185	K0	
	Double pushbutton actuator with rubber membrane, 5 loose labels in red, green, yellow, white, black	P2		lockable in its depressed position, key retractable in its depressed position lock 4 A 185	K1	
				lockable in its initial position, key retractable in its initial position lock 4 A 185 (tip lock)	K2	
	Emergency/Stop marked 'NOT/AUS EMERGENCY/STOP'	N8		Lock (RONIS) lockable in both positions key retractable in both positions lock 445	K4	
				Lock (RONIS) Lock 455 2 switching positions 0-I latching, key retractable	E0	
	Locking mushroom push button pushed in without a key unlocked with a key DOM lock 4 A 185	K3		2 switching positions 0-I momentary contact, position I key not retractable	E1	
				3 switching positions I-0-II latching on both sides, key retractable	E2	
	Mushroom pushbutton , black	P8		Lamp red green yellow white blue	LR LG LY LW LB	
	Position selector switch 2 positions, 0 + I latching	S9		Illuminated button actuator red green yellow white blue	TR TG TY TW TB	
	Position selector switch 3 positions I-0-II I + II latching I + II momentary-contact I latching, II momentary-contact I momentary-contact, II latching	S0		Blanking plug black, to cover unused holes in the front panel	B1	
		S1				
		S2				
		S3		Potentiometer actuating element black, scale 1 - 10	D0	

03-0330-0190/A-10/2014-BCS-200864/2

1
2
3
4
5
6
7



Selection chart Modules

Illustration	Description	Code no.
	Switch module 1 NC/1 NO 2 NC 2 NO	4 1 2
	Indicator light red green yellow white blue	R G Y W B
	Illuminated button red 1 NO green 1 NO yellow 1 NO white 1 NO blue 1 NO red 1 NC green 1 NC yellow 1 NC white 1 NC blue 1 NC	RB GB YB WB BB RA GA YA WA BA
	Potentiometer Resistance values 1 kΩ 2.2 kΩ 4.7 kΩ 10 kΩ	4 5 6 7
	Terminal block with 6 modular terminals 2.5 mm ² , Ex e II	6

➔ **Complete order no.**

Actuator element resp. Lamp module operator



Switch module resp. Indicator light or Terminal block



Measuring instrument



Please insert code number.

Control unit, single **07-3511-10**



Control unit, double **07-3512-10**



Control unit, double **07-3512-10**



Control unit, triple **07-3513-10**



Control unit, triple **07-3513-10**



Technical data subject to change without notice.