

# TNC JACK FOR RG58 CABLE



## Features

- This makes them suitable for applications requiring moderate to high-frequency performance, and they are often used in telecommunications, wireless networks, and RF testing
- TNC connectors feature a threaded coupling mechanism, ensuring a secure and robust connection to the cable
- TNC jack connectors are commonly used with RG58 coaxial cable, which is a flexible and versatile cable type frequently used for transmitting RF signals



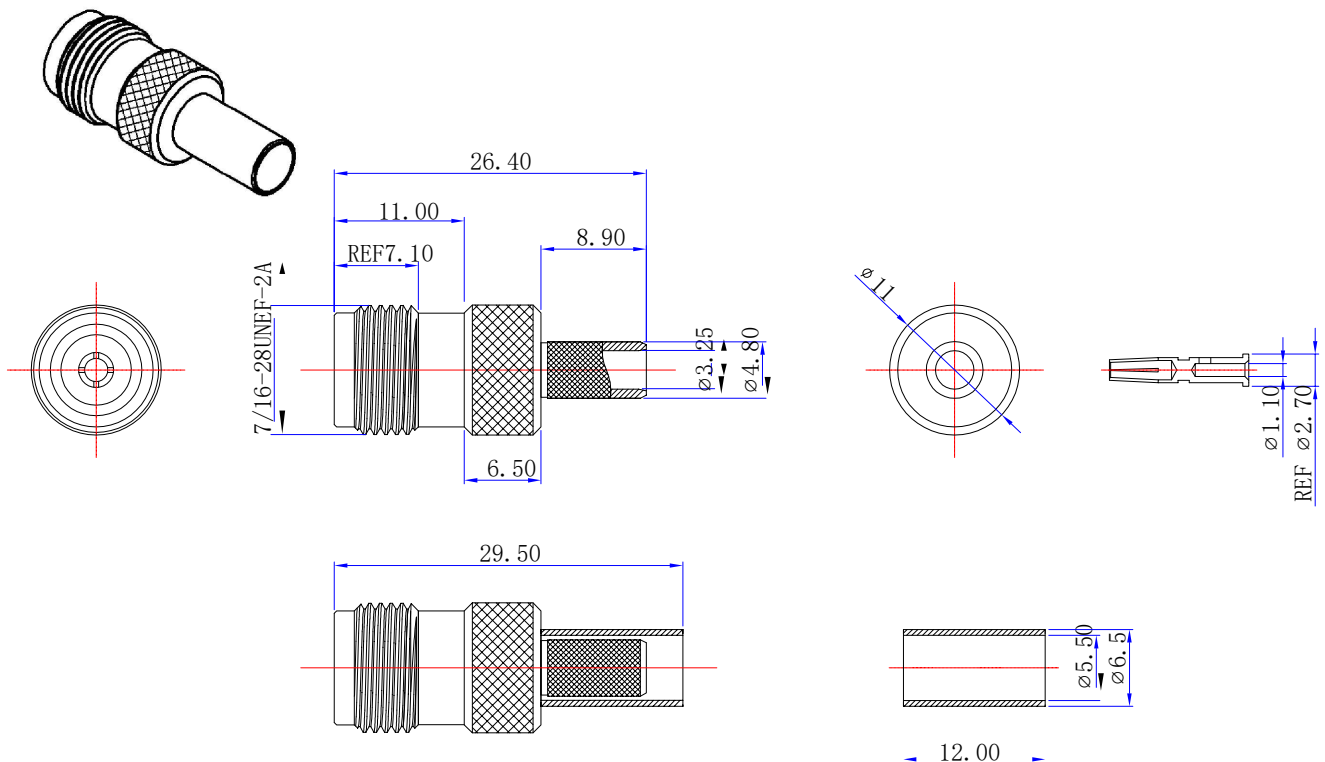
## Specification

Impedance	50 Ohm
Frequency Range	0 ... 3 GHz
VSWR	1.5 max
Working Voltage	500V RMS @ Sea Level
Insulation Resistance	5 GOhm min.
Temperature Range	-55... 155 °C

## Material Specification

Body	Brass, Nickel
Insulator	PTFE
Center Pin	Brass, Gold

## Drawing



Art. Nr.  
RND 205-01508