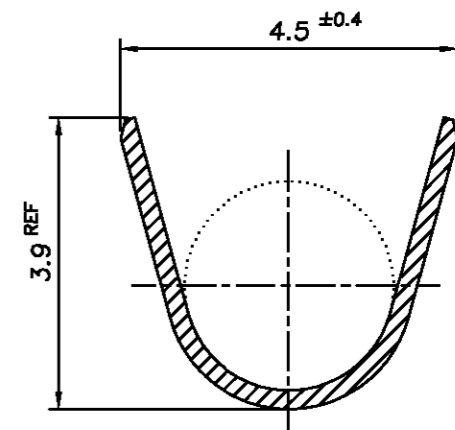
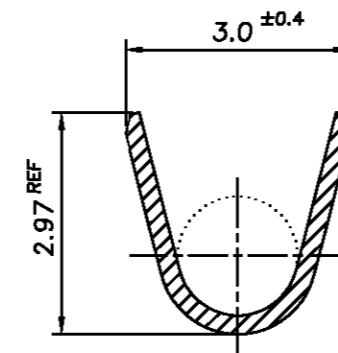
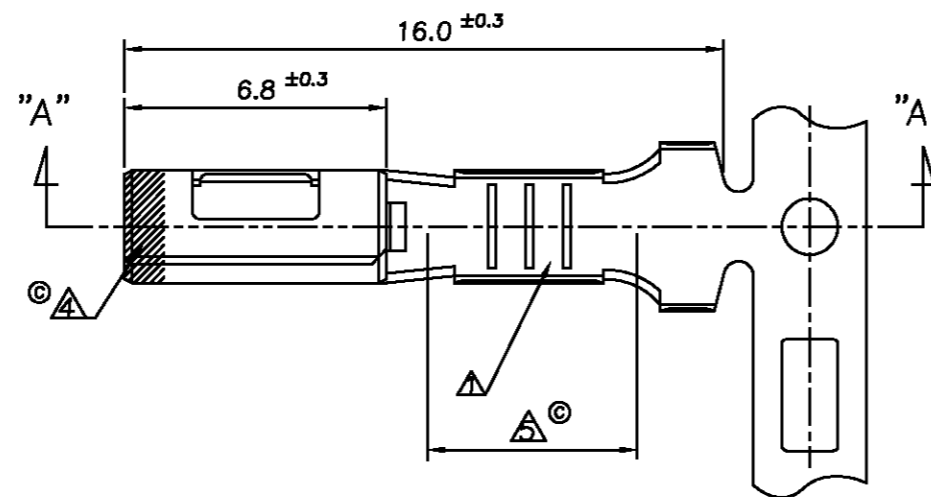
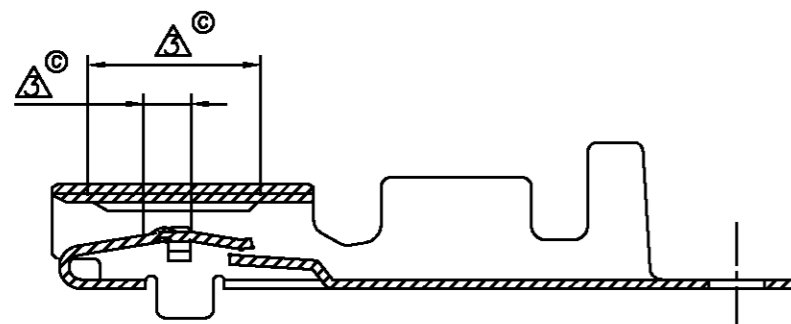
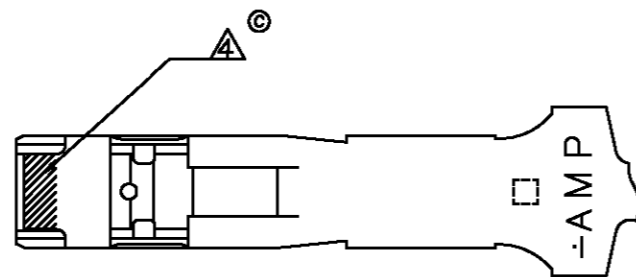
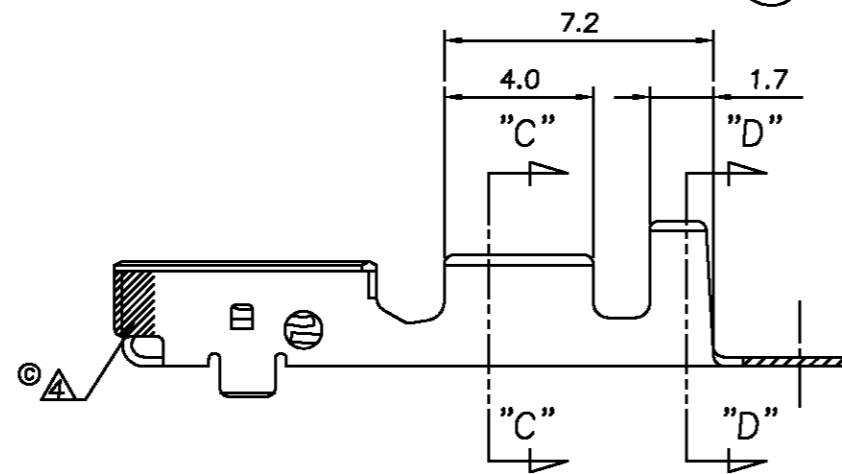
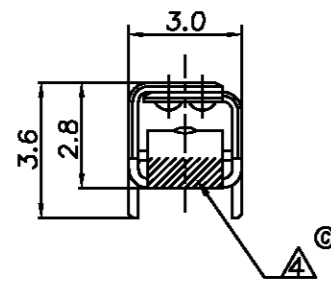


P	LTR	DESCRIPTION	DATE	DWN	APVD
	C	REDRAWN W/CHANGE (FC00-0065-04)	08/APR/04	JG	CS



SECTION "C-C"
Scale 10/1

SECTION "D-D"
Scale 10/1



SECTION "A-A"

* NOTES

- ▲ THREE SERRATIONS CENTERED IN WIRE BARREL
- 2 WIRE SIZE EQUIV CAVUS 0.85 ~ AVS 1.25 sqmm
- ◎ ▲ GOLD PLATING AREA (CONTACT SIDE ONLY)
- ◎ ▲ GOLD PLATING FOR DISCERNMENT
- ◎ ▲ TIN PLATING AREA

3 4 5 SELECTIVE GOLD PRE-TINNED	CuNiSi Alloy 0.25THK.	1-368084 -1 ◎
FINISH	MATERIAL	PART NUMBER

THIS DRAWING IS CONTROLLED DOCUMENT FOR AMP KOREA. IT IS SUBJECT TO CHANGE AND THE CONTROLLING ENGINEERING ORGANIZATION SHOULD BE CONTACTED FOR THE LATEST REVISION.		DWN JG.MOON	tyco Electronics		AMP KOREA, kyungsan, korea	
DIMENSIONS: MM		CHK BM.JANG			NAME	
TOLERANCES UNLESS OTHERWISE SPECIFIED: 0 <XX<10 ± 0.2 10<XX<30 ± 0.25 ANGLES ± 3°		APVD CS.LEE	.090 II MLC RECEPTACLE			
MATERIAL		PRODUCT SPEC 108-61021	SIZE A3	CAGE CODE 00779	DRAWING NO C- 3 6 8 0 8 4	
FINISH		APPLICATION SPEC 114-61004	WEIGHT	SCALE 5/1	SHEET 1 OF 1 REV C	