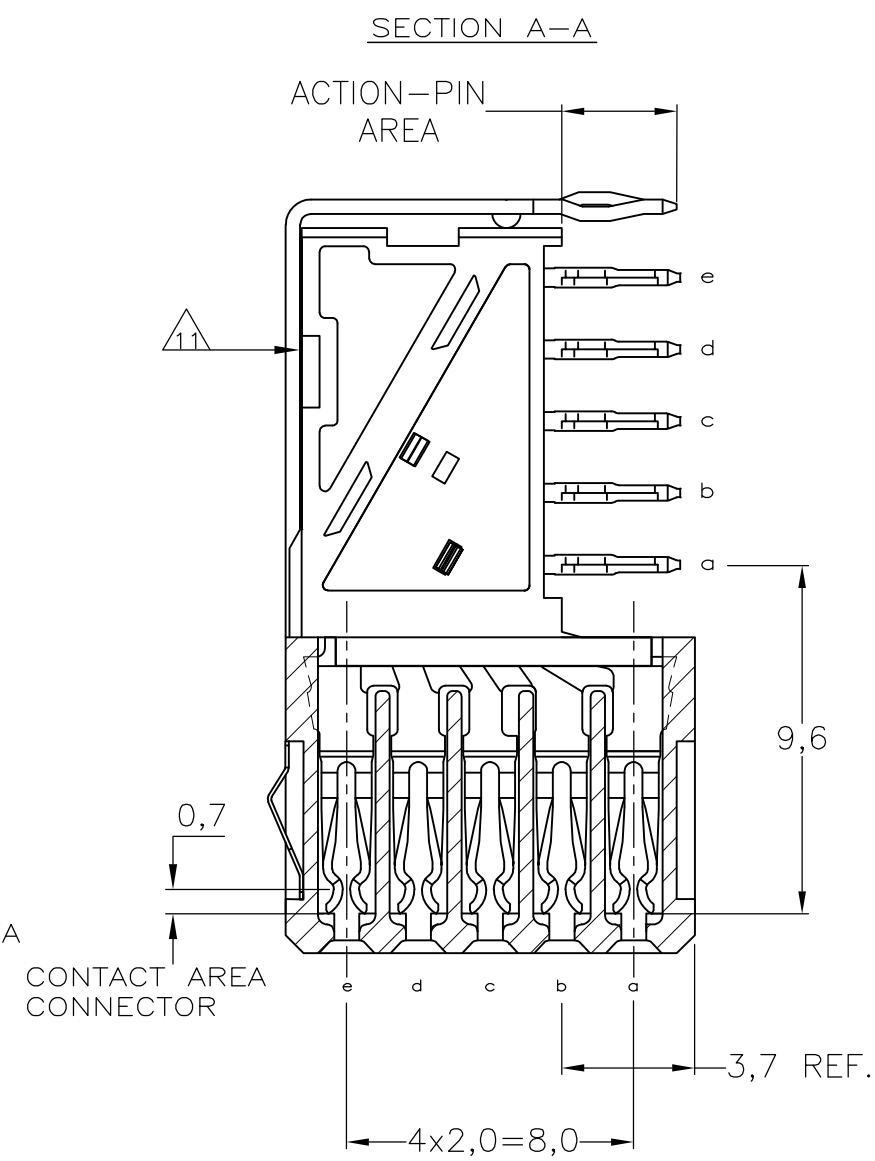
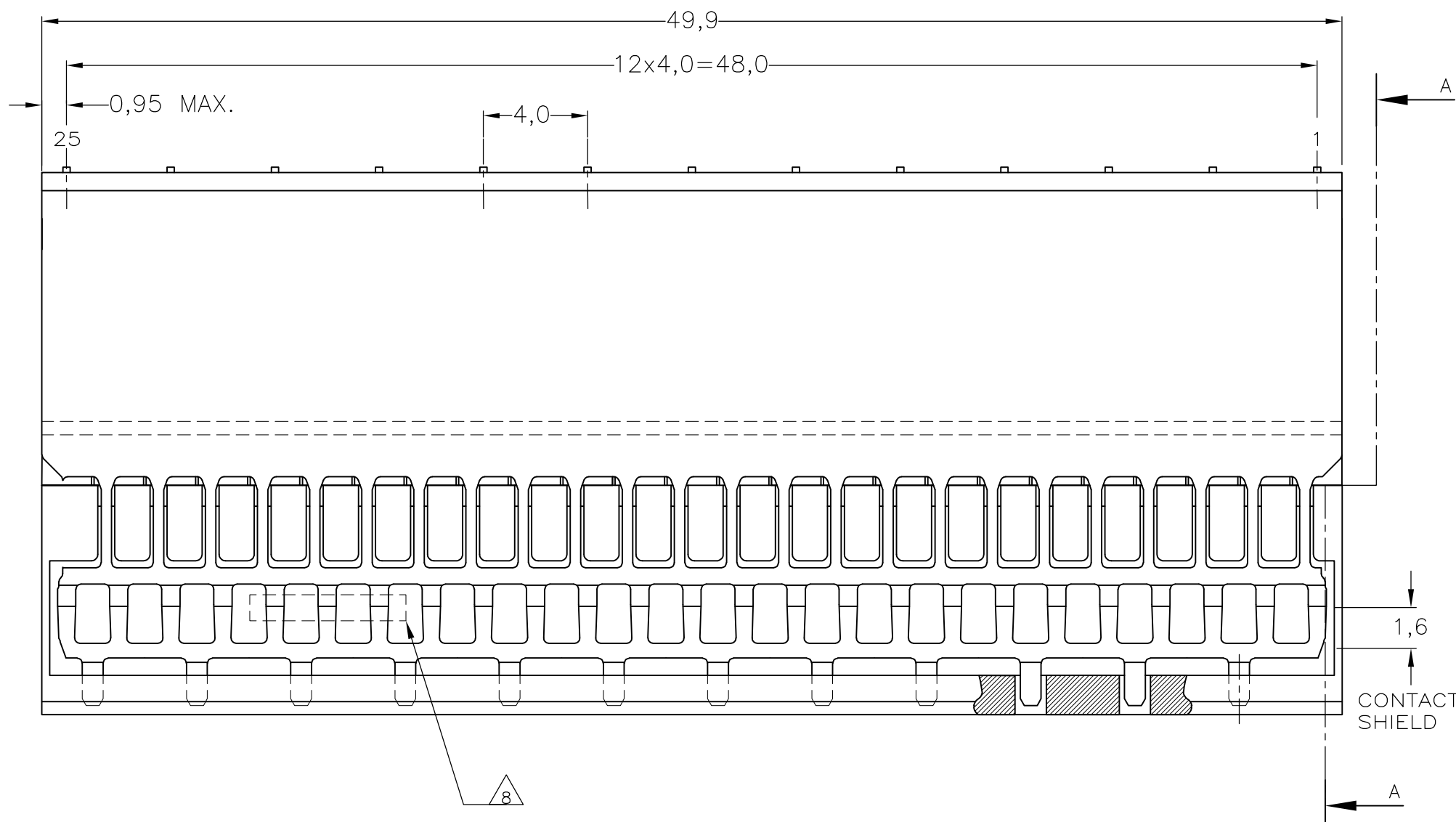
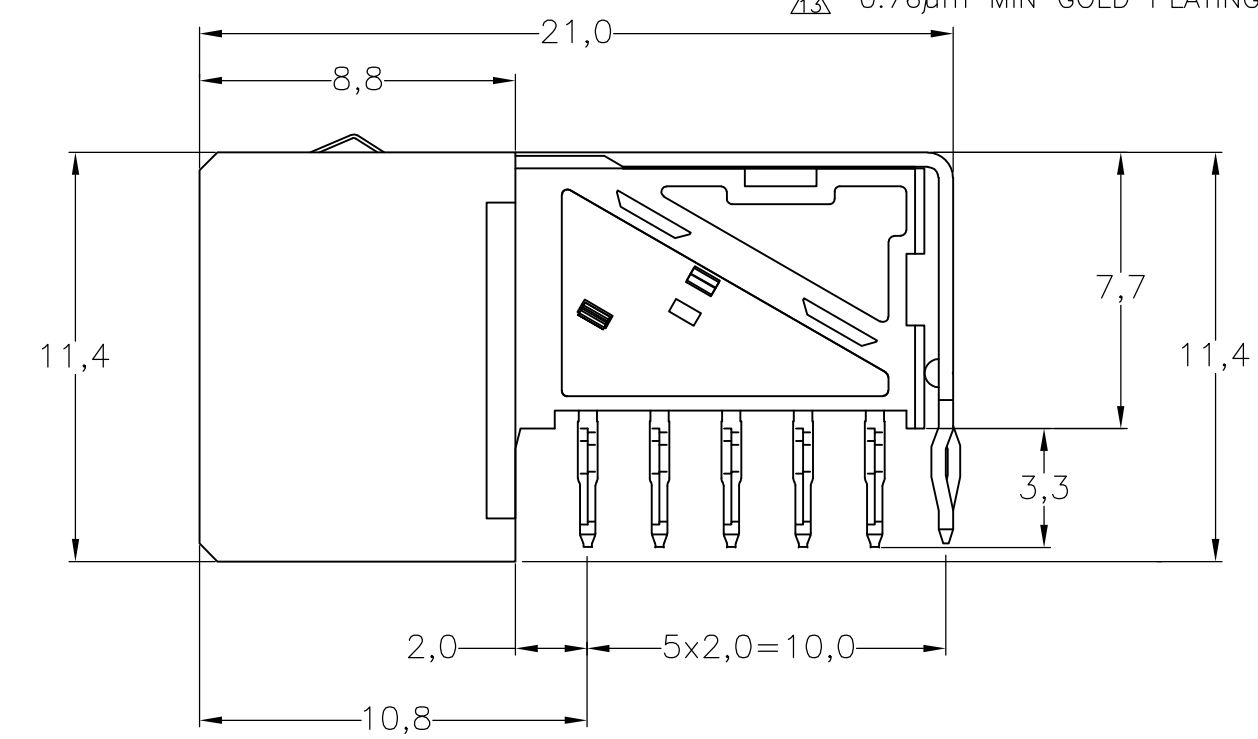
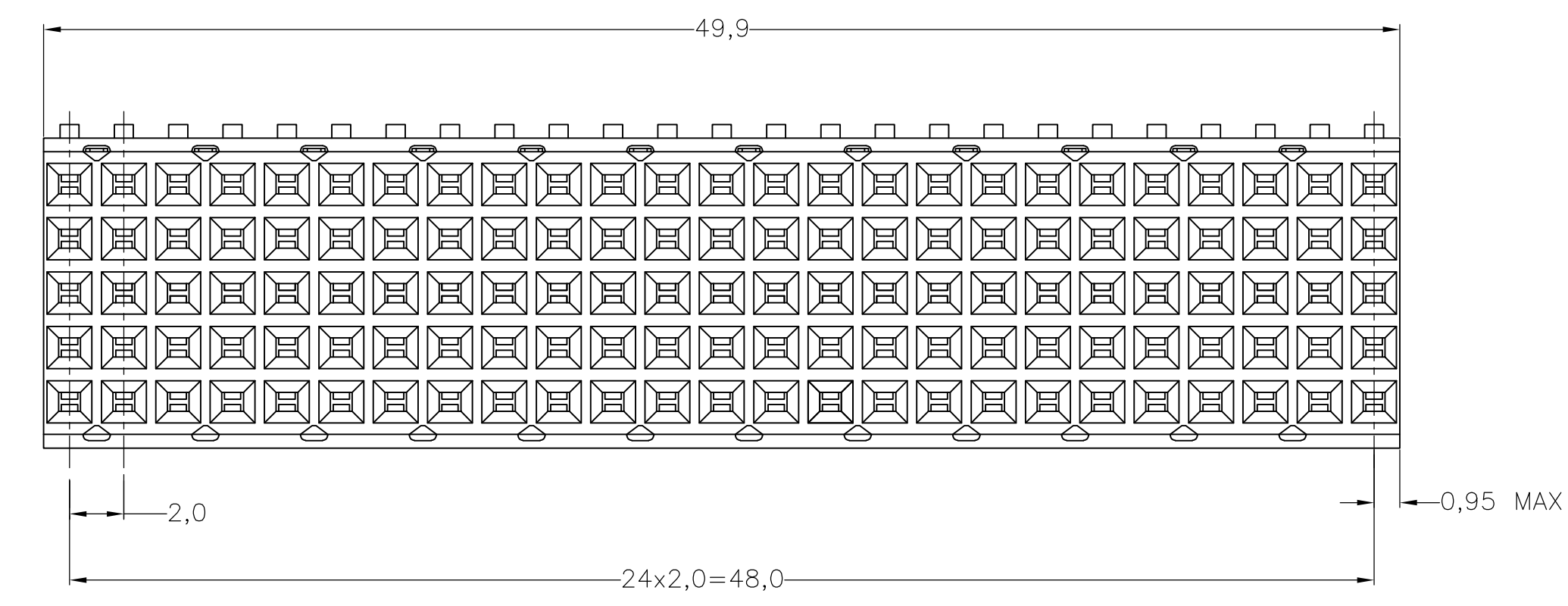


THIS DRAWING IS UNPUBLISHED. RELEASED FOR PUBLICATION  
 © COPYRIGHT BY TYCO ELECTRONICS CORPORATION. ALL RIGHTS RESERVED.

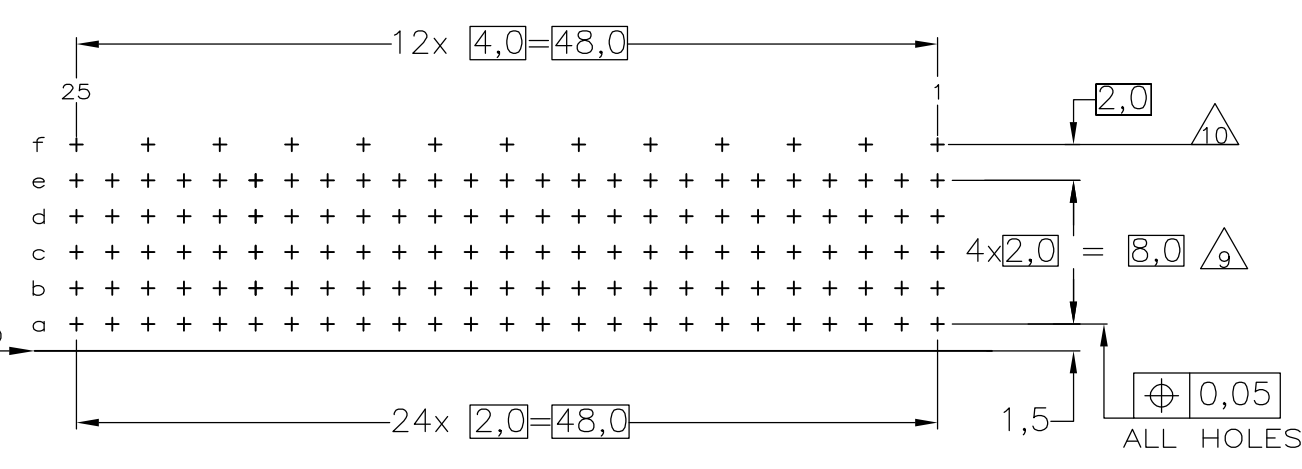
LOC	DIST	REVISIONS			
P	LTR	DESCRIPTION	DATE	DWN	APVD
G3		REVISED PER ECO-10-001916	09MAR2010	JY	SY
H		ECR-10-018652	10SEP10	SW	MQW



- NOTES:
- 1 MATERIAL CONTACTS; PHOSPHORBRONZE  
MATERIAL HOUSING; GLASSFILLED POLYESTER (GRAY)
  - 2 GENERAL PLATING SPECIFICATION: UNDERPLATING  
(ENTIRE CONTACT): 1,27µm NICKEL MIN. AND ACTION  
PIN: 0,5µm TIN-LEAD MIN.  
FOR PLATING OF MATING SURFACES SEE APPLICABLE  
SPECIFICATION REFERENCE FOR EACH DASH NUMBER.
  - 3 CONFORMS TO ALL TESTING ACCORDING IEC 61076-4-101  
PERFORMANCE LEVEL 2.
  - 4 CONFORMS TO ALL TESTING ACCORDING IEC 61076-4-101  
PERFORMANCE LEVEL 1.
  - 5 CONNECTOR TESTED AND QUALIFIED AGAINST TELCORDIA  
GR-1217-CORE QUALITY LEVEL III, CENTRAL OFFICE APPLICATIONS.
  - 6 CONNECTOR LUBRICATED WITH TELCORDIA GR-1217-CORE  
APPROVED LUBRICANT.
  - 7 PLATING SHIELD  
CONTACT AREA : 0,76µm Au MIN.  
ACTION PIN : 0,5µm SnPb MIN.  
REMAINDER : Ni
  - 8 ASSEMBLY PRINTED WITH P/N AND DATECODE.  
THE MARKING CAN APPEAR ON THE FRONT SIDE  
OR BACK SIDE.
  - 9 HOLE PATTERN FOR FEMALE CONNECTOR TYPE B  
125 PLATED-THROUGH HOLES AT 2x2mm SQUARE GRID
  - 10 ROW "f" 13 PLATED THROUGH HOLES FOR UPERSHIELD
  - 11 SHIELD MOUNTED ON CONNECTOR WITH DOUBLE SIDED  
ADHESIVE TAPE OR ADHESIVE
  - 12. BASIC P.N. LOWERSHIELD: 338110
  - 13 0.76µm MIN GOLD PLATING AT MATING SURFACES.



COMPONENT SIDE AS SHOWN  
 RECOMMENDED PCB-HOLE LAY-OUT  
 SCALE 2,5:1



P.C.B. HOLE DIM. ACTION PIN  
 FOR DETAILS SEE  
 APPLICATION SPECIFICATION

FINISH	MATERIAL	PARTNUMBER
2 3 3 3	△	3-352069-0
2 3 3 3	△	352069-9
2 3 3 3	△	352069-4
2 3 3 3	△	352069-1

THIS DRAWING IS A CONTROLLED DOCUMENT.

DWN	D. TRUREN	20JAN97	Tyco Electronics Corporation s-Hertogenbosch, Netherlands,	
CHK	-	-	Z-PACK 2MM HM TYPE B - 25 COLUMNS PRE-SHIELDED RECEPTACLE	
APVD	-	-	SIZE	CAGE CODE
PRODUCT SPEC	108-19082	114-19029	A2	00779
APPLICATION SPEC	114-19029	114-19029	DRAWING NO	RESTRICTED TO
MATERIAL	-	-	SCALE	SHEET
FINISH	-	-	NTS	1 OF 1
CUSTOMER DRAWING		SCALE		REV
		NTS		H