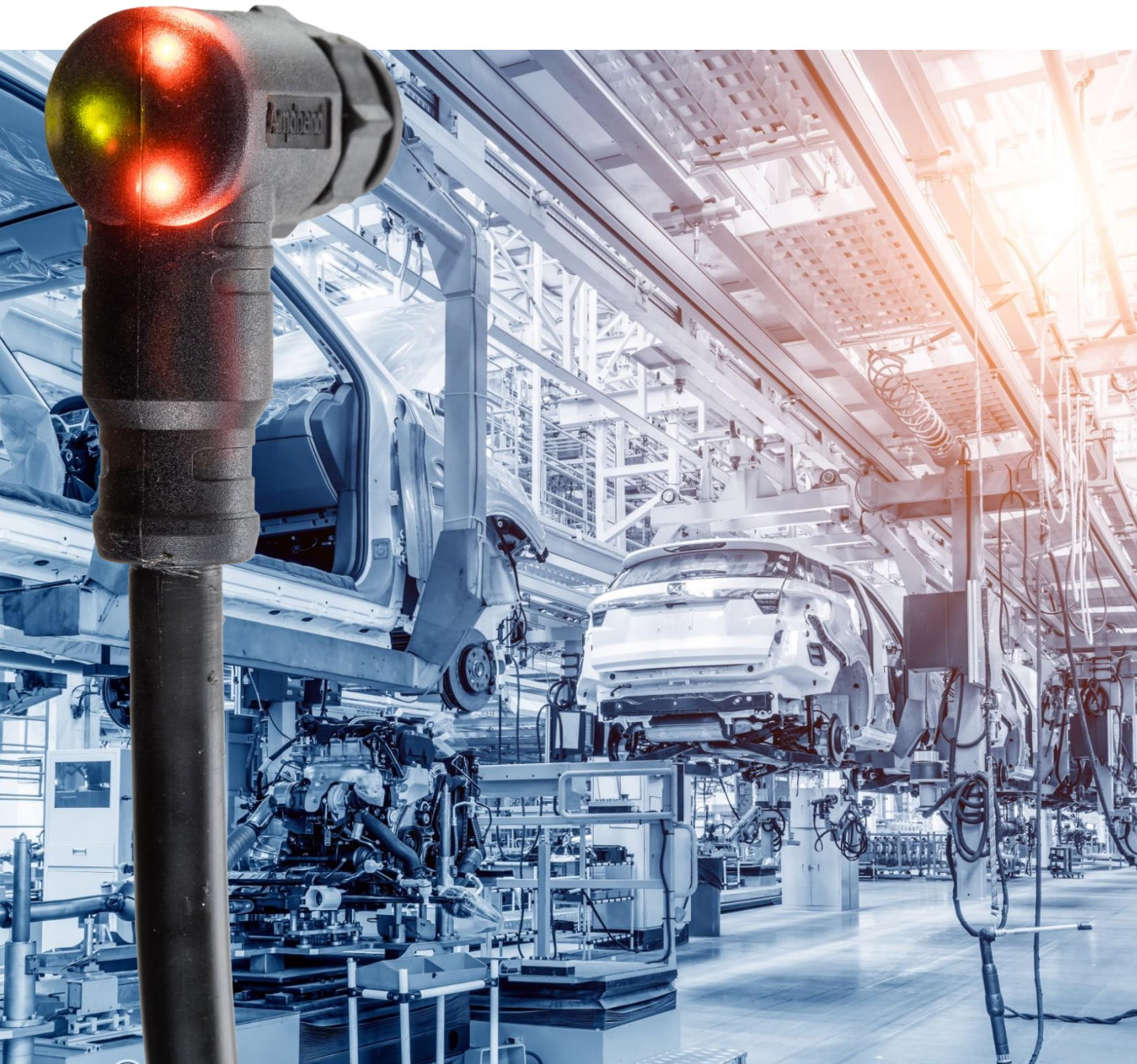


X-LOK Series with LED M Series with LED



Unrivaled InterConnects for Harsh Environments

Connectors With LED



Industrial Automation



Mobile Vehicles



Automotive Industry

Amphenol LTW is adding straight and right angle **M8, Guide M8, M12 and X-LOK** connectors with three LEDs to its connectivity portfolio. LED indication on the connector is often indispensable for the direct detection of faults in the field.

Our connectors are provided with three colors – Green, Orange, Orange and can be used in wide applications such as industrial automation, mobile vehicles and automotive industry... etc.



X-LOK Mini A Size With LED

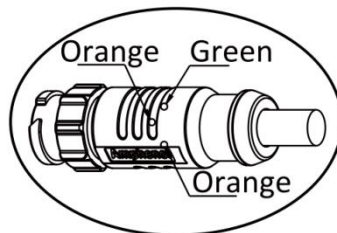
NEW

- ✓ Blind Mating
- ✓ Audio Feedback
- ✓ Push-Lok Mating
- ✓ Guided Key For Fool-proof



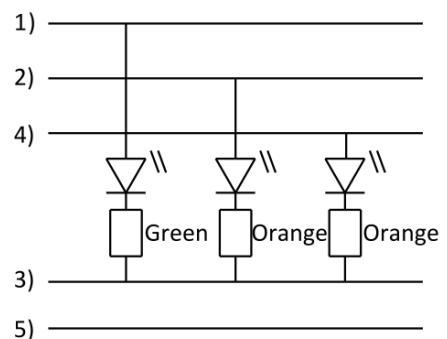
FEATURES

- Starts from 3 / 4/ 5 pins
- With LED indicator colors:
Green / Orange / Orange
- Suitable for factory
automation & EN61373 /
SAE J2839 shock &
vibration approved



SPECIFICATION

- Temperature $-40^{\circ}\text{C} \sim 105^{\circ}\text{C}$
- Long service life $\geq 1,000$ cycles
- Protection class IP68
- Corrosion resistance up to 500h
- Right angle / straight available

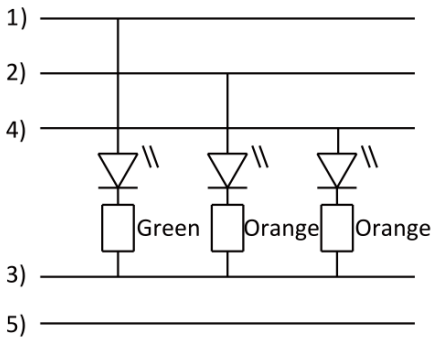


Request Product

M Series With LED

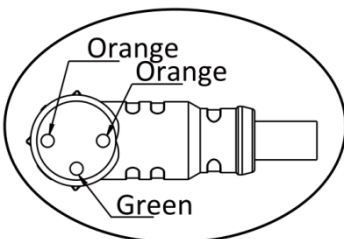
NEW

- ✓ M8 A / B / D Coded
- ✓ Guided M8
- ✓ M12 A-Coded
- ✓ EN61373 / SAE J2839
shock & vibration approved

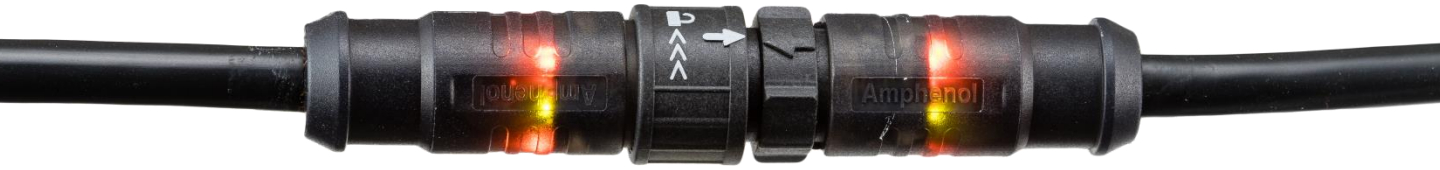


SPECIFICATION

- Starts from 3 / 4/ 5 pins
- With LED indicator colors:
Green / Orange / Orange
- Temperature $-40^{\circ}\text{C} \sim 105^{\circ}\text{C}$
- Long service life $\geq 1,000$ cycles
- Protection class IP68
- Corrosion resistance up to 48h
- Meets IEC standard & UL certified
- B / D / K / L / M / S / T coding upon request



[Request Product](#)



Best Solution from Amphenol LTW

Contact Us

Luc Kan | Sales & Marketing
Email: luc@ltw-tech.com

Customer Service
Email: sales@ltw-tech.com

Follow Us

