



MICRO SWITCH

FREEPORT, ILLINOIS, U.S.A
A DIVISION OF HONEYWELL

FED. MFG. CODE 91929

SWITCH - BASIC

CATALOG LISTING

BZ-2RQ784

JG08565

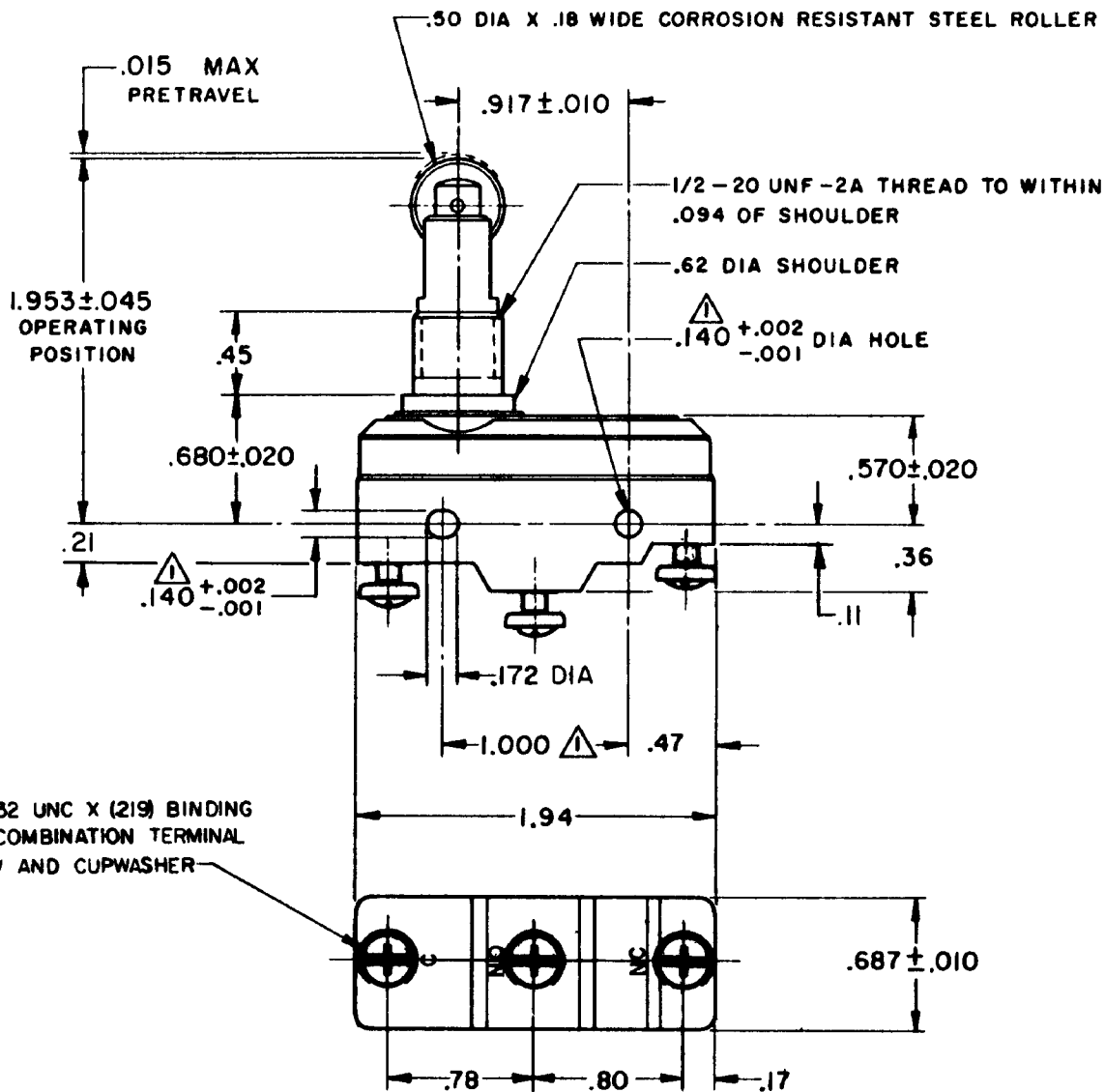
BZ-2RQ784
 PAGE 1 OF 1
 REPLACES
 RELEASE NO.

M

DRAWING NUMBER

ISSUE **10**

REVISIONS	
A	CO17410 8 CH 11 MAY 83
B	CO34353 4 NOV 74
C	CO36099 8 JUN 77
D	CO-73287-B 17 MAY 83
E	CO-77592 15 AUG 84
F	CO-82497-C 18 MAR 96
G	CO93346 2 SEP 98
H	CO93921 13 JAN 99
J	CO015138 29 AUG 05



3X 6-32 UNC X (219) BINDING HEAD COMBINATION TERMINAL SCREW AND CUPWASHER

NOTE
 ▲ - MOUNTING HOLES WILL ACCEPT PINS OR SCREWS OF .139 MAX DIA ON 1.000 ± .002 CENTERS
 2 HARDWARE FURNISHED UNASSEMBLED

THIS DRAWING COVERS A PROPRIETARY ITEM AND IS THE PROPERTY OF MICRO SWITCH, A DIVISION OF MINNEAPOLIS-HONEYWELL REGULATOR CO. THIS DRAWING IS NOT TO BE COPIED OR USED WITHOUT THE APPROVAL OF MICRO SWITCH.

CHARACTERISTICS	ELECTRICAL DATA	SCALE FULL
OPERATING FORCE ----- 9 - 13 OZ	CONTACT ARRANGEMENT S P D T	DO NOT SCALE PRINT
RELEASE FORCE ----- 4 OZ MIN	15A - 125, 250 OR 480 VAC, 2A - 600 VAC 1/8HP - 125 VAC, 1/4HP - 250 VAC CODE L74 1/2A - 125 VDC; 1/4A - 250 VDC	UNLESS OTHERWISE NOTED DIMENSIONS ARE IN INCHES
DIFFERENTIAL TRAVEL ----- .0004 - 0020	-L288- -L306- -L315-	TOLERANCES ARE: ONE PLACE (.0) ± .030 TWO PLACE (.00) ± .015 THREE PLACE (.000) ± .005 ANGLES ±
OVERTRAVEL ----- .140 MIN	CE EN05 EC 16A 250V ~ T85 5E4	WEIGHT

FORMTEK
 FO-80378

G C H 11 MAY 63 CHECK
 L S D 21 JUN 63 CHECK
 R J 29 AUG 05 CHECK