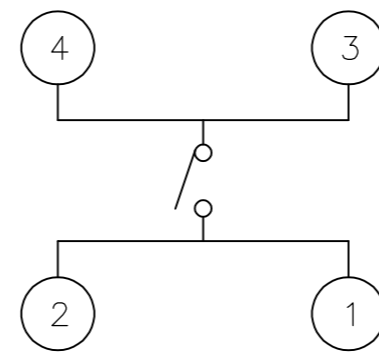
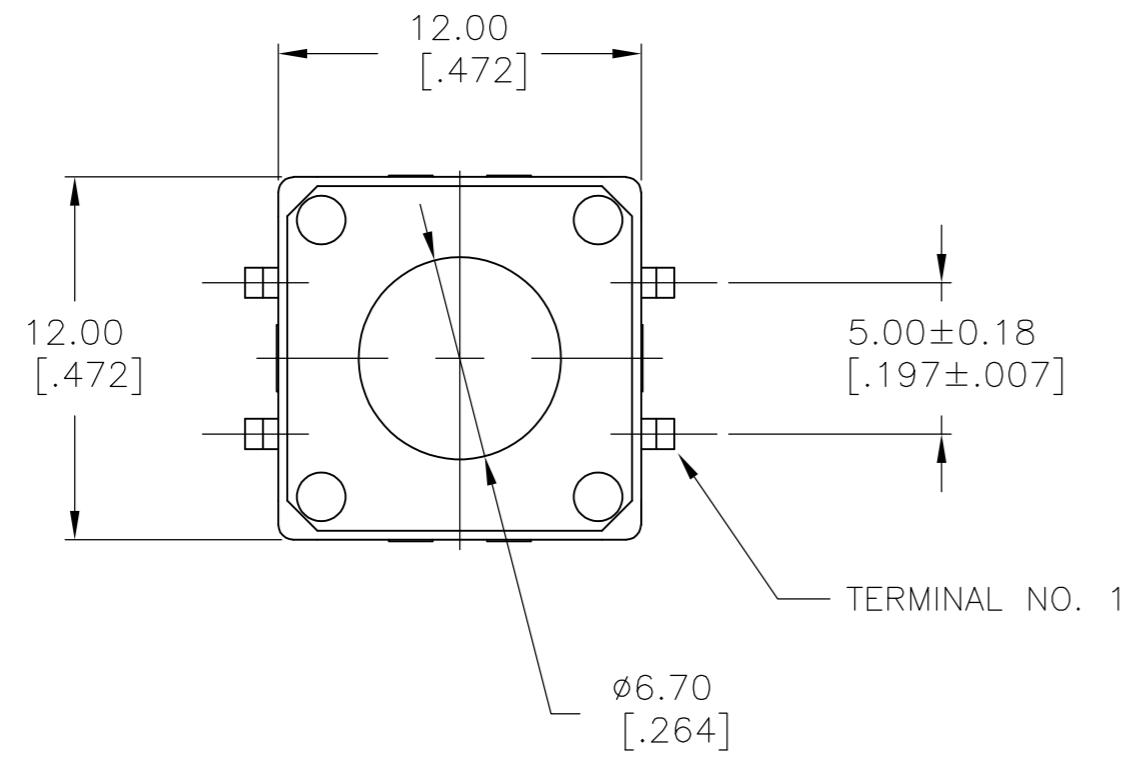


THIS DRAWING IS UNPUBLISHED. RELEASED FOR PUBLICATION 1437565-2, 1437565-2
 © COPYRIGHT 1437565-2 ALL RIGHTS RESERVED.

| LOC | | DIST | | REVISIONS | | | |
|-----|-----|---------------------------|--|-----------|-----|------|--|
| P | LTR | DESCRIPTION | | DATE | DWN | APVD | |
| | D6 | REVISED PER ECO-11-011705 | | 07JUN11 | HMR | MW | |



CIRCUIT DIAGRAM

TERMINAL NUMBERS ARE FOR REFERENCE ONLY AND DO NOT APPEAR ON SWITCHES

SPECIFICATIONS

MATERIALS

CASE: POLYESTER, BLACK
 COVER: POLYESTER
 ACTUATOR BUTTON: ACETAL, COLOR-SEE TABLE
 MOVING CONTACT: COPPER ALLOY, SILVER CLAD
 FIXED CONTACT/TERMINAL: COPPER ALLOY, SILVER PLATED

ELECTRICAL

MAX CONTACT RATING: 50MILLIAMPS@24V DC
 MIN CONTACT RATING: 10MICROAMPS@1V DC
 CONTACT RESISTANCE: 100 MILLIOHMS MAX
 INSULATION RESISTANCE: 100 MEGOHMS MIN @ 100VDC
 DIELECTRIC STRENGTH: 500 VAC 50/60 Hz FOR 1 MINUTE
 LIFE EXPECTANCY: 100,000 CYCLES MIN.

MECHANICAL

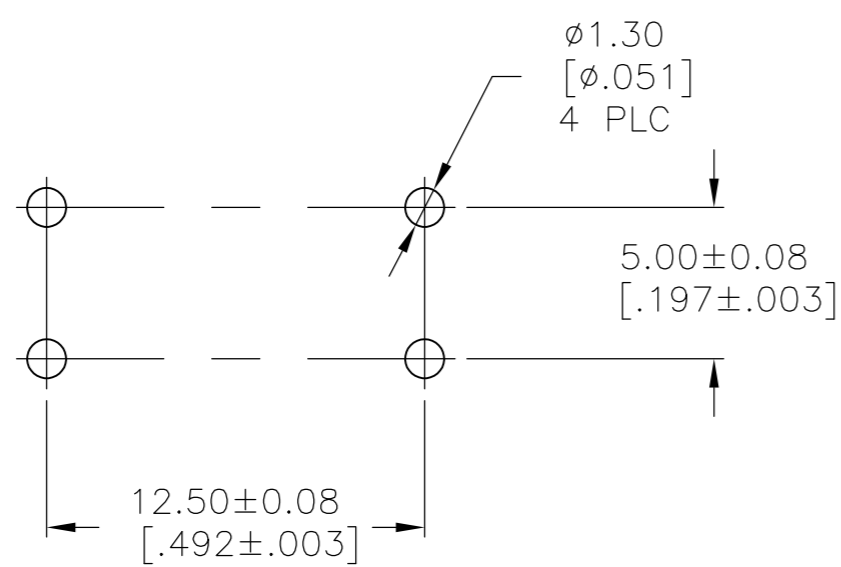
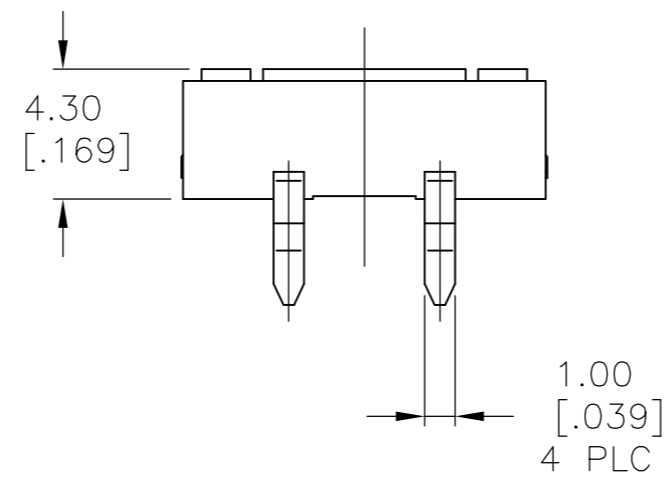
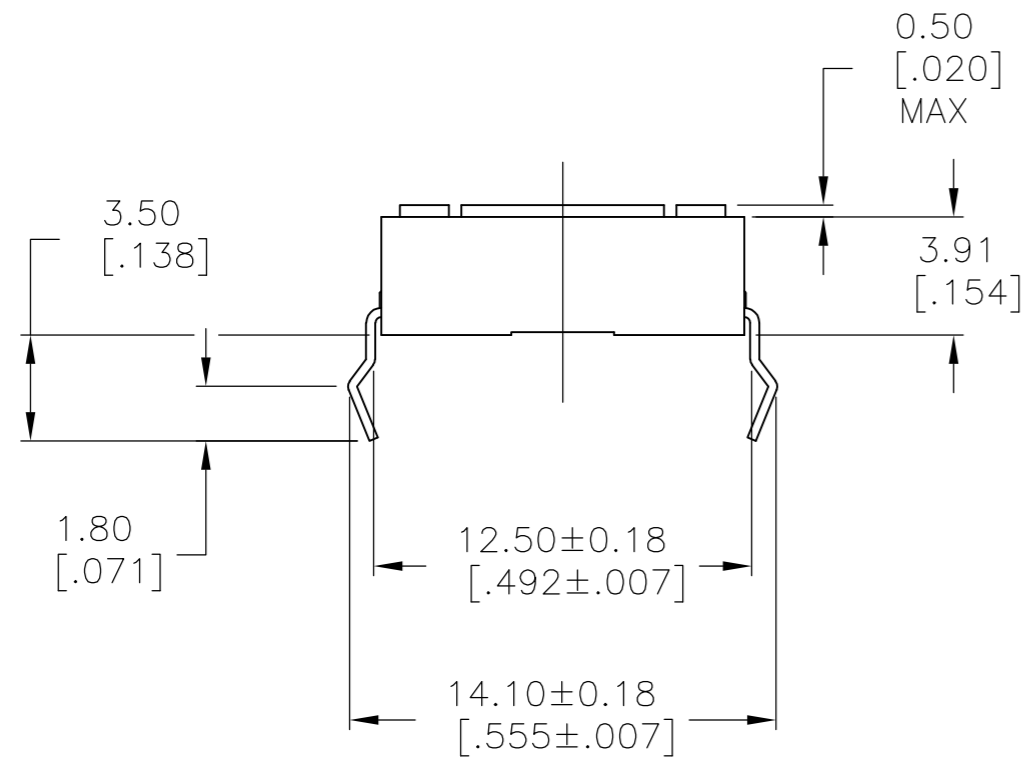
ACTUATOR OPERATING FORCE: SEE TABLE
 ACTUATOR TRAVEL: 0.30[0.012] APPROX.

ENVIRONMENTAL

OPERATING TEMPERATURE: -35°C to +85°C
 STORAGE TEMPERATURE: -35°C to +85°C
 RESISTANCE TO SOLDER HEAT PER 109-202, COND B-265* FOR 10 SECONDS

SOLDERABILITY:

SPECIFICATION EIA-364-52, CLASS 1, CATEGORY 2



PC BOARD LAYOUT

| | | | |
|----------------|-----------------|-----------------|-------------|
| BLACK | 160±30GF | FSM100 | 1437565-2 |
| RED | 260±50GF | FSM100A | 1571139-1 |
| ACTUATOR COLOR | OPERATING FORCE | T&B PART NUMBER | PART NUMBER |

| | | | | |
|----------------------------------------|------------|------------------------|--------------------------------|-----------------|
| THIS DRAWING IS A CONTROLLED DOCUMENT. | | DWN R BROWN 03APR02 | | |
| DIMENSIONS: mm [INCHES] | | CHK H WYNKOOP 03APR02 | | |
| TOLERANCES UNLESS OTHERWISE SPECIFIED: | | APVD H WYNKOOP 03APR02 | NAME SWITCH, FSM100 PUSHBUTTON | |
| 0 PLC ± - | 1 PLC ± - | PRODUCT SPEC | SIZE A2 | CAGE CODE 00779 |
| 2 PLC ± 0.30[0.012] | 3 PLC ± - | APPLICATION SPEC | DRAWING NO C=1437565-2 | RESTRICTED TO - |
| 4 PLC ± - | ANGLES ± - | WEIGHT - | SCALE 4:1 | SHEET 1 of 1 |
| MATERIAL - | FINISH - | CUSTOMER DRAWING | REV D6 | |