

Datasheet

ENGLISH

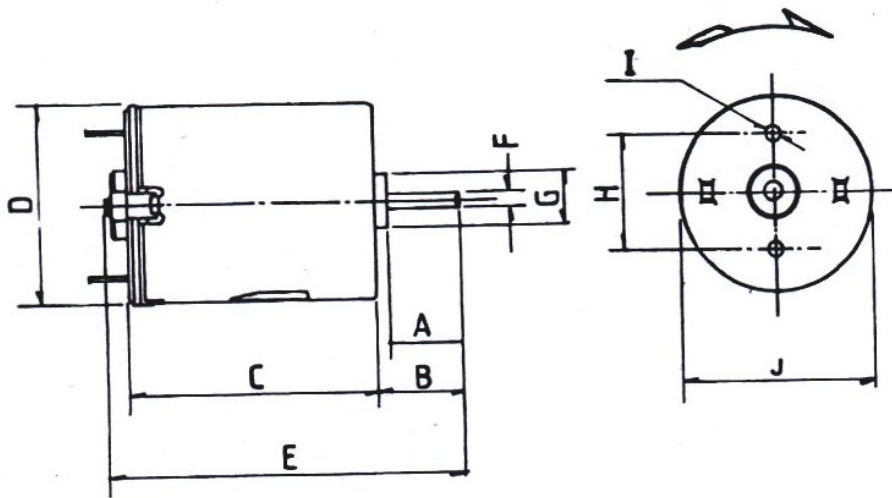
RS PRO DC Motor, 1.71 W, 1.5 - 3 V dc, 23.2 gcm, 7700 rpm, 2mm Shaft Diameter

Stock No: 238-9709



Specifications:

Supply Voltage	1.5 - 3V
Power Rating	1.71 W
Output Speed	7700 rpm
Shaft Diameter	2mm
Maximum Output Torque	23.2 gcm
Length	30.5mm
Dimensions	23.8 (Dia.) x 30.5mm
Current Rating	1.06 A
Weight	44g



Dimensions	A	B	C	D	E	F	G	H	I	J
mm	7.4	12	30.5	23.8	42	2	6.35	14	2.3	24.2

Stall Current RE-280 at 3v = 4.8A