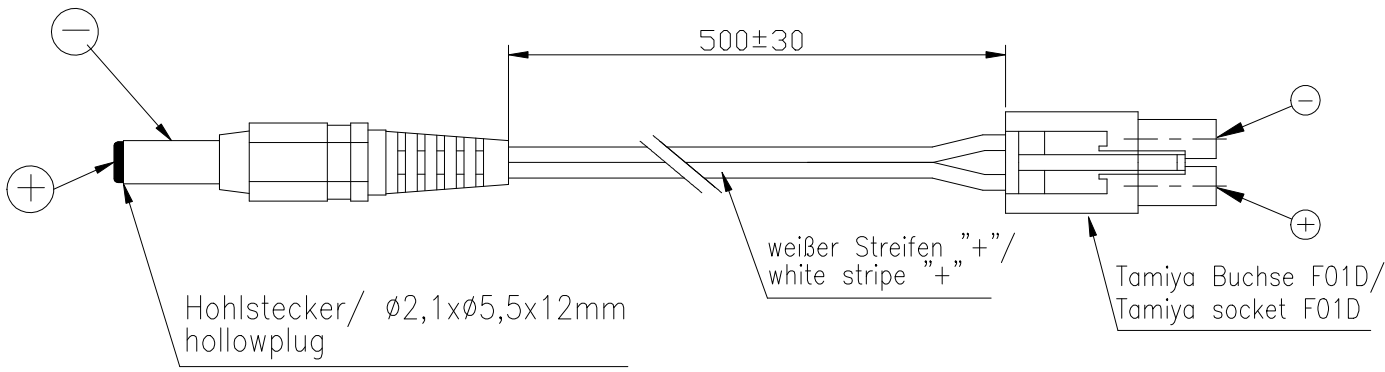


The supplier acknowledges that, with the acceptance of the drawing, he is in a position to manufacture the illustrated part in accordance with the drawing in reproducible form and series production. Through the selected manufacturing processes no impairments will arise in the material and structure which could subsequently lead to an impairment of the component. Verbal agreements over and above that are not valid. Deviations from this rule must be written and must be signed by the purchaser.



Gewicht: 15g/  
weight: 15g

Verpackung: sammelverpackt im wiederverschließbaren PE-Beutel, VE: 1 Stück/  
package: bulk packaged in sealable PE bag, PU: 1 pce

This drawing may not be copied, reproduced or made available to third parties in any way whatsoever without or prior written approval.

Verwendungsbereich/Application range für Anfrage/for inquiry IS-2013-00152		Zul. Abweichung/ Allowable deviation	Oberfläche/ Surface	Maßstab/Scale (DIN A4): 1:1	Gewicht/Weight
		general tolerances DIN ISO 2768-m		Werkstoff/Work material, Modell-Nr.	
		2013	Datum/Date	Name	
		Erstellt/ Drawn by	28.03.	SP	
				Zeichnungsname/Drawing name	
				Adaptor cable Tamiya socket to hollow plug ø2.1xø5.5x12mm	
				Zeichnungsnummer/Drawing number	
				Artikelnummer/Part number 0160-3160	
VO changed length		24.04.13	MSt	Blatt/ Sheet 1	
Version	Änderung/Change	Datum/Date	Name	Ursprung/Origin	Proj. XX/XX/XX
			Ersatz für/Replaced by		Ersatz durch/Replacement through

