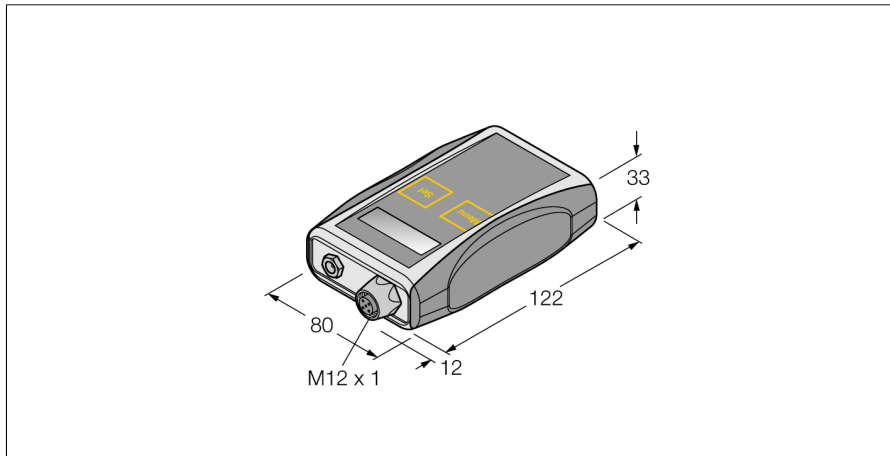


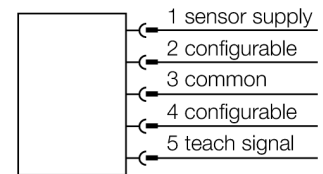
**Accessories**  
**Test Box for Sensors**  
**TB4**



- Universal test device for different sensor types.
- Analog sensors current/voltage
- 3-wire DC sensors (npn/pnp)
- Function test without dismantling the sensor
- User-friendly display and control elements
- Powered via 2 batteries, type E-Block 9V or 24 VDC external supply
- Analog test box
- Test box for sensors with analog or switching output

<b>Type designation</b>	TB4
Ident-No.	6967113
<b>Operating voltage</b>	18 VDC Powered via 2 batteries, type E-Block 9V or 24 VDC (>250 mA) external supply
<b>Dimensions</b>	122 x 78.5 x 32 mm
Electrical connection	Connectors
Packaging unit	1

**Wiring Diagram**



**General description**

Binary and analog sensors can be tested and configured without major effort with the TB4. The sensors can be adjusted on machines and in installations without connection to the operating voltage.

The switching status of the sensor outputs is clearly visible on the illuminated display. The connector is set to different voltage or current output values via pushbutton. The analog output of the sensor can also be displayed as a bargraph with the test box.

The test box enables teachable sensors to be configured via pushbutton (jumper between Pin5 and Pin3).

ON/OFF switching of test box via menu button, press approx. 3 sec.