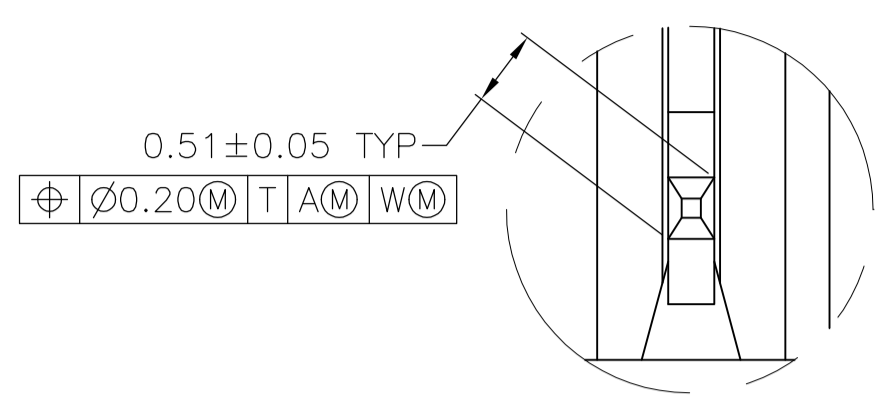
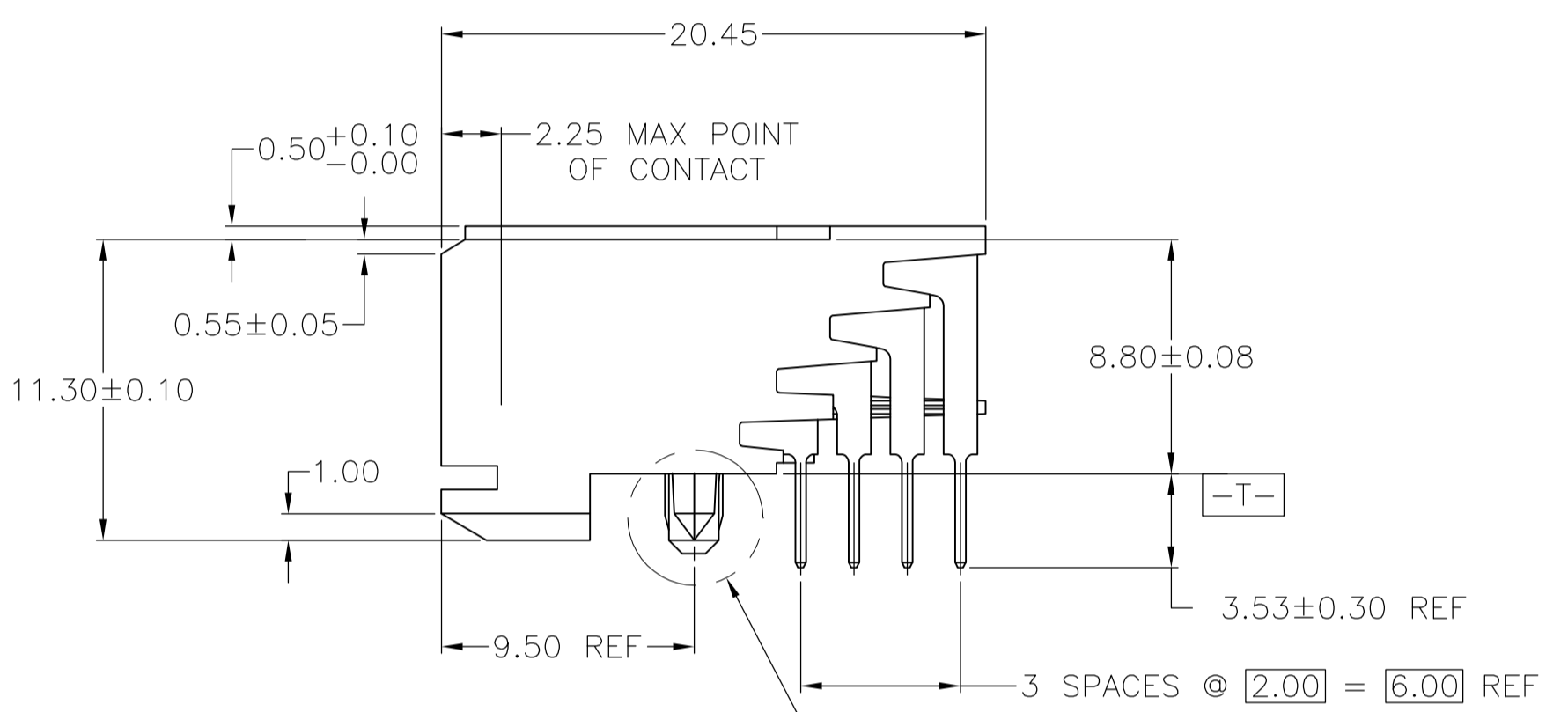
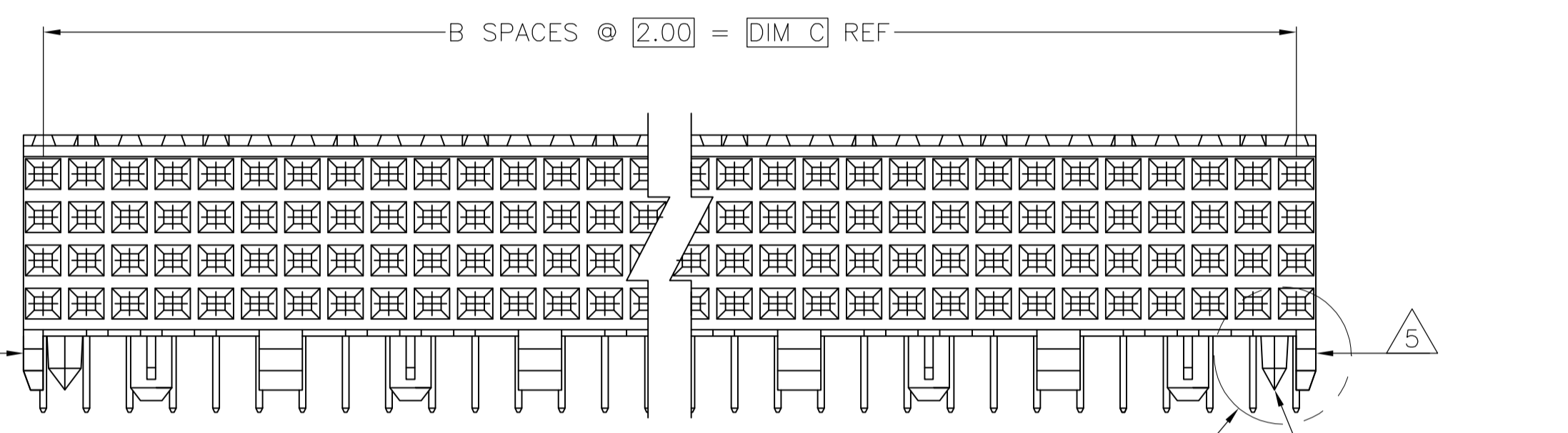


DETAIL X
SCALE 10:1

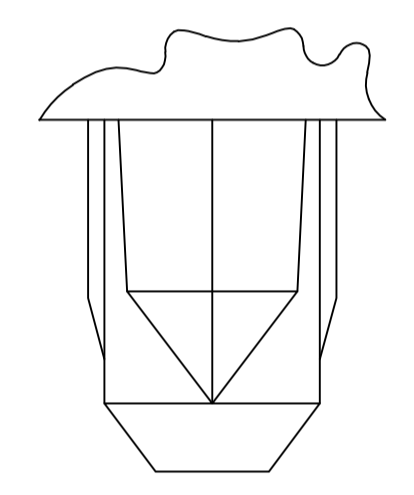


DETAIL Z
SCALE 20:1

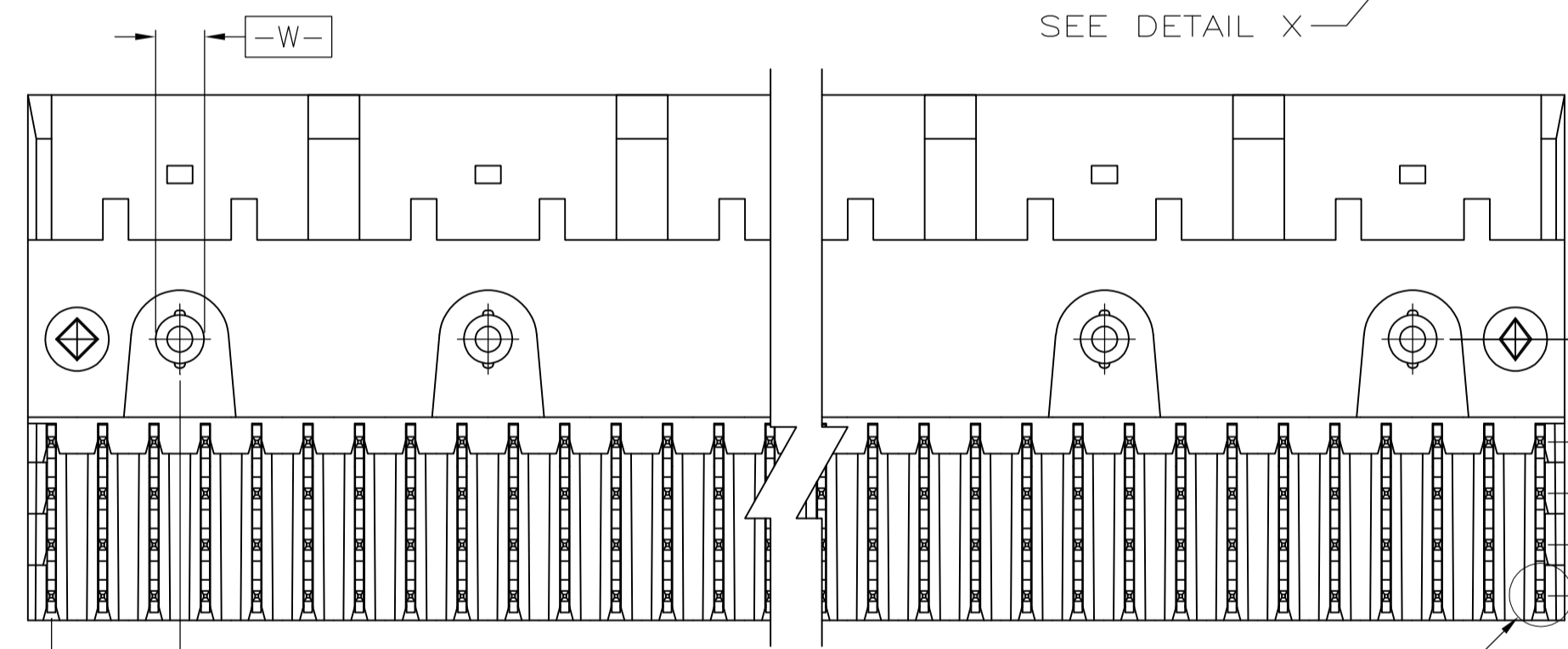
- 1 HOUSING MATERIAL: LIQUID CRYSTAL POLYMER.
COLOR: NATURAL.
- 2 CONTACT MATERIAL: PHOSPHOR-BRONZE.
- 3 CONTACT FINISH:
UNDERPLATE (ENTIRE CONTACT) -
0.00127 MIN NICKEL PER SAE-AMS-QQ-N-290.
ON MATING SURFACES-
CONFORMS TO ALL TESTING SPECIFIED FOR TELCORDIA
UNCONTROLLED ENVIRONMENT
ON LEADS-
0.00381 MIN TIN PER ASTM B 545, OVER UNDERPLATE
LUBRICATION (MIN MATING SURFACES):
SURFACE CONDITIONER AFTER PLATING.
- 4 PART MARKING, LOCATED APPROXIMATELY AS SHOWN.
- 5 CUSTOMIZED PART, HOUSING MOLDED WITHOUT END GUIDE LUGS.
- 6 OBSOLETE PART NUMBER.
- 7 CONTACT FINISH:
UNDERPLATE (ENTIRE CONTACT) -
0.00127 MIN NICKEL PER SAE-AMS-QQ-N-290.
ON MATING SURFACES-
CONFORMS TO ALL TESTING SPECIFIED FOR TELCORDIA
UNCONTROLLED ENVIRONMENT
ON LEADS-
FLASH GOLD PER ASTM B 488, OVER UNDERPLATE
LUBRICATION (MIN MATING SURFACES):
SURFACE CONDITIONER AFTER PLATING.



REFER TO DETAIL FOR COLD HOLD CONFIGURATION

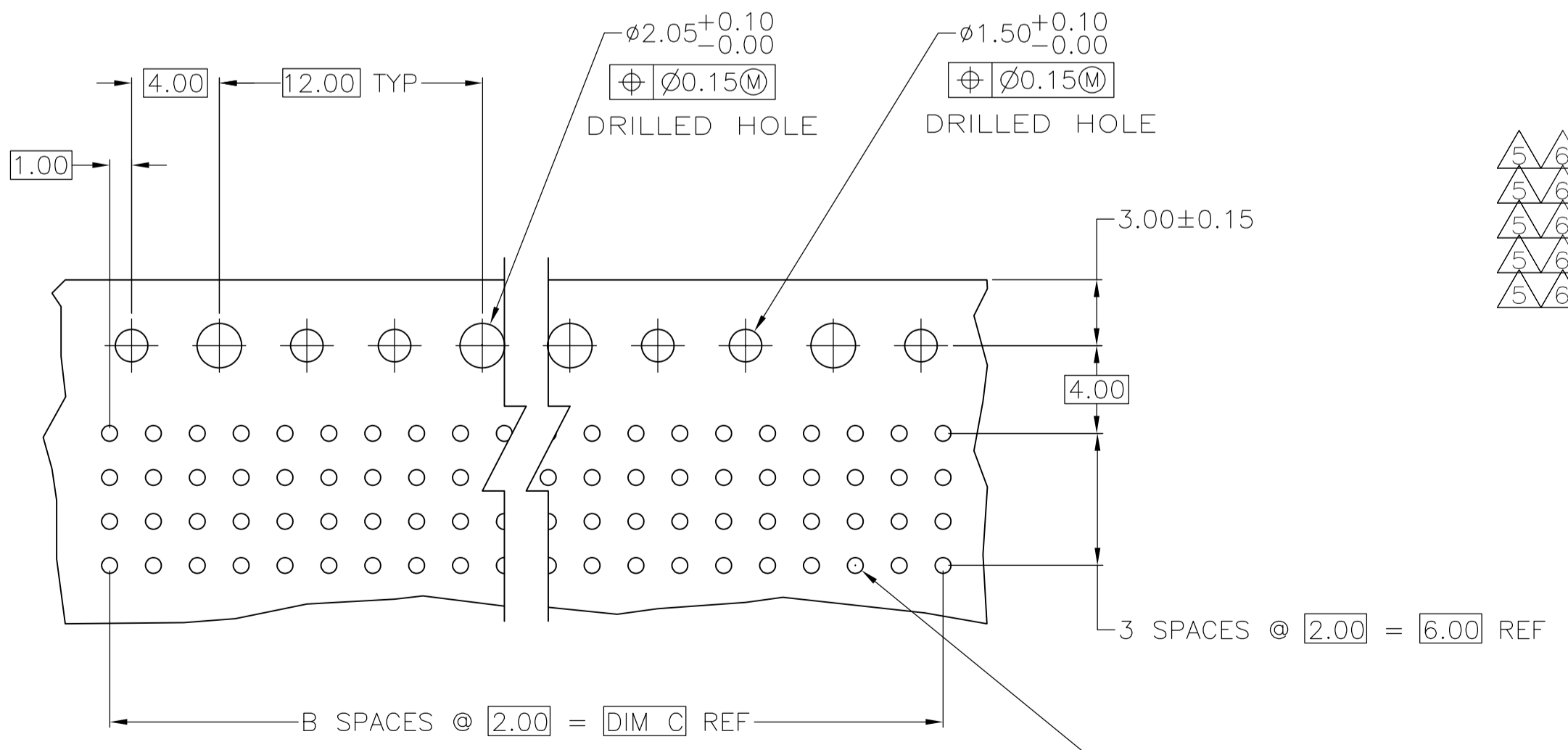


TYPICAL COLD HOLD
FOR ALL ASSEMBLIES



SEE DETAIL X SEE TABLE

SEE DETAIL Z



RECOMMENDED CIRCUIT PATTERN
PER IPC-D300 TYPE II, CLASS C
(COMPONENT SIDE)

NO	70	35	71.88	7	144	2-5536510-8
NO	94	47	95.88	7	192	2-5536510-7
NO	46	23	47.88	7	96	2-5536510-6
NO	22	11	23.88	7	48	2-5536510-5
YES	94	47	95.88	3	192	2-5536510-4
YES	46	23	47.88	3	96	2-5536510-3
NO	34	17	35.88	3	72	1-5536510-5
NO	22	11	23.88	3	48	1-5536510-4
NO	94	47	95.88	3	192	1-5536510-3
NO	106	53	107.88	3	216	1-5536510-2
NO	70	35	71.88	3	144	1-5536510-1
NO	130	65	131.88	3	264	1-5536510-0
NO	106	53	107.88	3	216	5536510-9
NO	118	59	119.88	3	240	5536510-8
NO	82	41	83.88	3	168	5536510-7
NO	58	29	59.88	3	120	5536510-6
NO	70	35	71.88	3	144	5536510-5
NO	94	47	95.88	3	192	5536510-4
NO	46	23	47.88	3	96	5536510-3
NO	22	11	23.88	3	48	5536510-2
YES	10	5	11.88	3	24	5536510-1
POSITIONING PEGS	C	B	A	FINISH	NO OF POSN	PART NUMBER

THIS DRAWING IS A CONTROLLED DOCUMENT.

DIMENSIONS: mm	TOLERANCES UNLESS OTHERWISE SPECIFIED:	0 PLC ± -	1 PLC ± .13	2 PLC ± .13	3 PLC ± .13	4 PLC ± -	ANGLES ± -
----------------	--	-----------	-------------	-------------	-------------	-----------	------------

RECEPTACLE ASSEMBLY, SIGNAL MODULE, Z-PACK 2mm FB, 4 ROW, 3.53mm LEAD LENGTH

SIZE: A1 CAGE CODE: 00779 DRAWING NO: 5536510

SCALE: 4:1 SHEET: 1 OF 1 REV: A2