

# Stanilite®

## Platinum batten LED weatherproof - 4 foot

**p-Range**



### Range

Platinum range

### Product group

Batten LED



### Features

AC/EM unit



- 5 year warranty
- Typically 3,500 lumens on mains AC operation, 600 lumens in emergency operation



- Weatherproof rating IP65



- IK08 impact rating
- Ceiling, wall mount or suspension mounting (wall mount requires optional 45° mounting brackets)



- Higher wall mount classification using optional wall mount brackets



- Long LED life 75,000 hours



- Colour temperature 4,000K



- High colour rendering index CRI>80



- Mains terminal block accepts up to 2.5mm<sup>2</sup> cable



- Advance charging technology combined with Lithium iron phosphate battery for long life and low maintenance

- Not suitable for installations where exposure to direct sunlight may occur

- External mounting clips for ease of installation

- Stainless steel diffuser clips

- High efficiency frosted polycarbonate diffuser

- AC efficacy typically 121 lumens/watt

- Ambient operating temperature; AC -20°C to +40°C and EM +10°C to +40°C

### Motion detect option

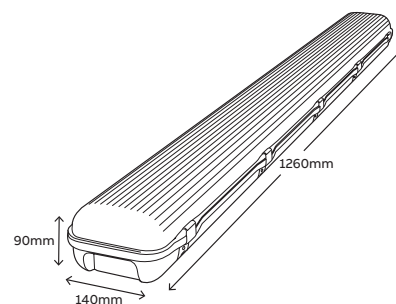
- Microwave motion detect sensor with settings for delay time, detection range and light value function

- Luminaire is not switched on if there is adequate ambient illumination in the area sensed

- Energy-efficient and cost-effective operation thanks to “corridor function” which dims the light to only 10% output with no movements detected and increase the light back to 100% when presence is detected

- Maximum installation height 5m; variable 0.5 - 5.0m

Catalogue no.	Description
<b>Standard products</b>	
PBLWAC35L	Platinum batten LED weatherproof AC 3500 lumens
PBLWAC35LMD	Platinum batten LED weatherproof AC 3500 lumens with motion detect sensor
PBLWEM35LM	Platinum batten LED weatherproof EM 3500 lumens maintained
PBLWEM35LMMD	Platinum batten LED weatherproof EM 3500 lumens maintained with motion detect sensor
<b>Accessories</b>	
26-SSCSBLW	Stainless steel clips
26-SSSCSBLW	Stainless steel suspension clip
21-PCCSBLW	Polycarbonate clips
26-PBMD001	Wall mount bracket pair 45°
<b>Spare parts</b>	
03-01307P	Battery LiFePO4 6.4V 3.2Ah



Dimensions			
	Length	Width	Bare height
	1260mm	140mm	90mm
Weight			
Model	Weight		
AC	2.9kg		
EM	3.2kg		
Construction			
Part	Construction		
Reflector	Powder coated steel		
Body and diffuser	Polycarbonate		
Clips	Stainless steel		

**Light source**

Model	Light source
AC/EM	LED strips

**Power consumption**

Model	Normal	S/A off	Standby
AC	29W	0W	N/A
AC motion detect	30W	0W	6W
EM	30W	1W	N/A
EM motion detect	31W	1W	7W

Note: Preliminary results

**Photometrics**

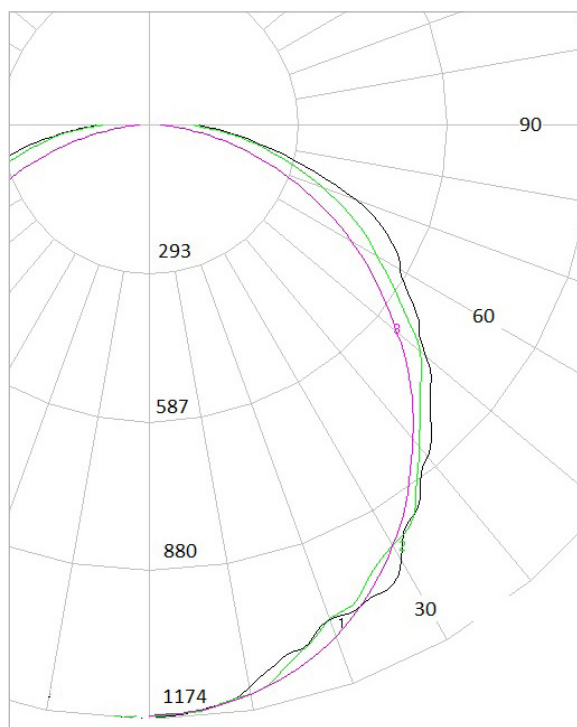
Model	Class	Classification
EM ceiling mount	C0	D80
	C90	D63
EM wall mount 45°	C0	D100
	C90	D80

Note: Preliminary results

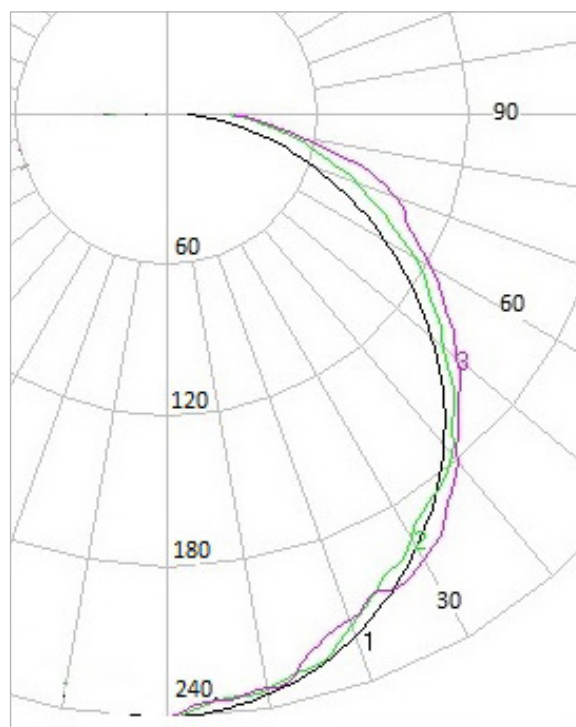
Note:

- AC designed to comply with AS/NZS60598.2.1 and meet relevant Australian EMC standards
- EM designed to comply with AS2293.3 and meet relevant Australian EMC standards

**AC polar diagram**



**EM polar diagram**



Note on AC/EM polar diagrams:

- Legend C0:1 black, C45.2 green, C90.3 cyan
- Two plane symmetry C0:C90