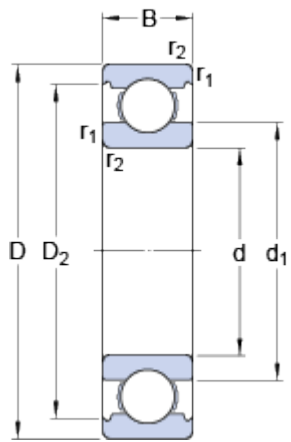


# 6310

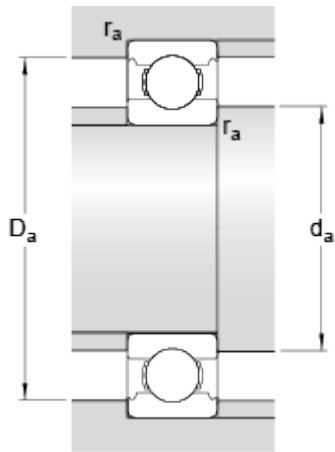
SKF Explorer

## Dimensions



d		50	mm
D		110	mm
B		27	mm
d <sub>1</sub>	≈	68.76	mm
D <sub>2</sub>	≈	95.2	mm
r <sub>1,2</sub>	min.	2	mm

## Abutment dimensions



d <sub>a</sub>	min.	61	mm
D <sub>a</sub>	max.	99	mm
r <sub>a</sub>	max.	2	mm

## Calculation data

Basic dynamic load rating	C	65	kN
Basic static load rating	C <sub>0</sub>	38	kN
Fatigue load limit	P <sub>u</sub>	1.6	kN
Reference speed		13000	r/min
Limiting speed		8500	r/min
Calculation factor	k <sub>r</sub>	0.03	
Calculation factor	f <sub>0</sub>	13	

## Mass

Mass bearing		1.08	kg
--------------	--	------	----