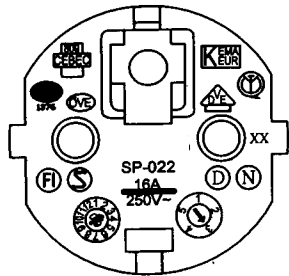
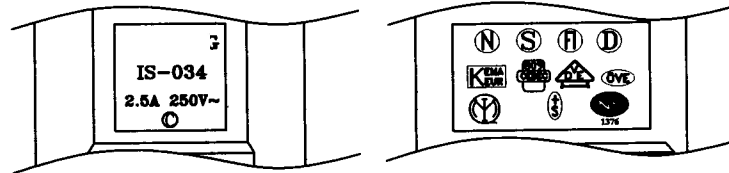


MARKING:



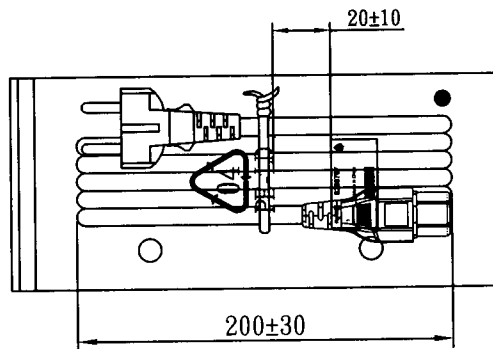
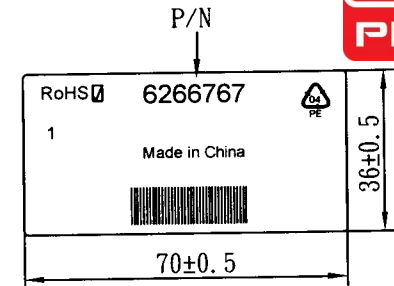
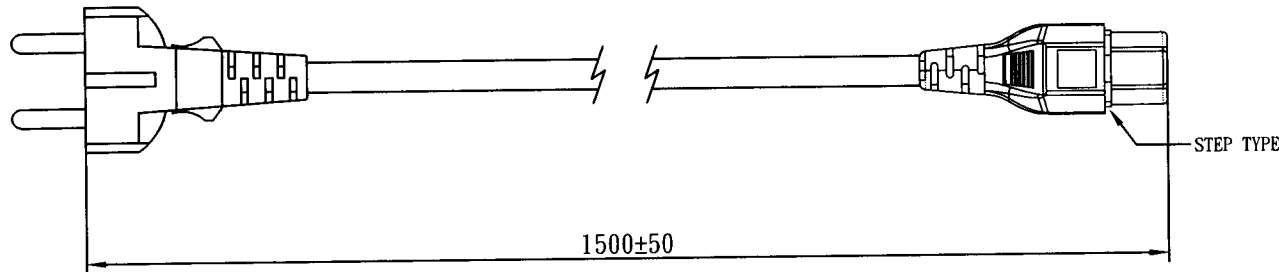
MARKING:



No	BOM ITEM	Q' TY	P/N
1	SP-023 INSERT(BLACK)	1 pcs	MB023012
2	PVC 45P (SA87, SP-022)	33 g	RPP0451H
3	ø2.35B PHOSPHOR BRONZE TUBE	2 pcs	BPP235B3
4	ø3.2 PHOSPHOR BRONZE TUBE	1 pcs	BPP32300
5	IS-034 INNER BODY	1 pcs	MP33401H
6	PVC 45P (SA87, IS-034)	15 g	RPP0451H
7	PE TIE (WHITE, 6 inch)	1 pcs	KBW10006
8	PE BAG	1 pcs	KPR11000
9	LABLE	1 pcs	



NOTE : 1. CORD : EAN-128C  
2 : SCAN CONTENT : 6266767



WIRING COLOR:

E: Yellow/Green  
N: Blue  
L: Brown

LENGED ON CORD: (205-14)

SGIS <VDE> KEMA-KEUR <VDE> <CEBEC 809> NF-USE 1346 IEMMEQU H05VV-F 3G 1.0mm<sup>2</sup> 60227 IEC 53 RVV 300/500V A003083 3ASL/100 4V-75 V-75(75°C) 250/440V ORDINARY DUTY Q90033 -LF- CE

CABLE	H05VV-F 3G 1.0 DENT PRINT CT-1H (Gray)				
PLUG	SP-022 + IS-034	LENGTH	1500	UNIT	mm
CLIENT	NAME	First Connectivity	N/W	0.173421	UNIT kg
	P/N	6266767	SG DWG	SR-142461-8	VER. A
				Design. by	楊望泰 9/7/16
				Review. by	
				Approval. by	楊望泰 9/7/16
V23 6C3016 1H 150 01					