



Auxiliary supply Us			
Auxiliary rated supply voltage AC	VAC		100...440
Auxiliary rated supply voltage DC	VDC		120...250
Auxiliary operating voltage range			
AC		min	VAC 90
		Max	VAC 484
DC		min	VDC 93.5
		Max	VDC 300
Operational frequency		min	Hz 45
		max	Hz 66
Power consumption		Max	VA 9.5
Power dissipation Max			W 3.5
Measuring voltage inputs			
Rated voltage (Ue)		phase-phase	VAC 600
		phase-neutral	VAC 300
Operating voltage range		phase-phase	VAC 50...720
		phase-neutral	VAC 30...360
Voltage inputs operational frequency		min	Hz 45
		max	Hz 66
Voltage inputs measurement method			True RMS
Connection method			Single. two. three-phase with or without neutral. balanced three-phase system
Current inputs			
Rated current (Ie)	A		1A/5A
Measurement range			0.025...6A
Measurement method			TRMS
Overload capacity			+20% Ie by external CT with 5A secondary
Overload peak	A		50A for 1s
Accuracy			
Reference standards			IEC/EN/BS 61557-12
	VLN voltage		Class 0.2 (100-480V)

FLUSH-MOUNT LCD MULTIMETER, EXPANDABLE. HIGH ACCURACY MEASURING OF ACTIVE ENERGY WITH CLASS 0.5S. BACKLIGHT ICON LCD, 72X46MM/2.8X1.8", HARMONIC ANALYSIS, AUXILIARY SUPPLY 100-440VAC/120-250VDC, FRONT OPTICAL PORT AND RS485 PORT

VLL voltage	Class 0.2 (177-830V)
Current	Class 0.2 (In 5A)
Frequency	Class 0.02
Active power	Class 0.5
Reactive power	Class 1
	Class 0.5
Active energy	Class 0.5s (IEC/EN 62053-22)
	Class 1
Reactive energy	Class 2 (IEC/EN 62053-23)

Insulations

Rated insulation voltage Ui IEC/EN	V	600
Rated impulse withstand voltage Uimp	kV	9.5
Operating frequency withstand voltage	kV	5.2

Functions

Harmonic analysis	15th order
PLC logic	No
Type of communication port	RS485
Ethernet-RS485 gateway function	No

Mechanical features

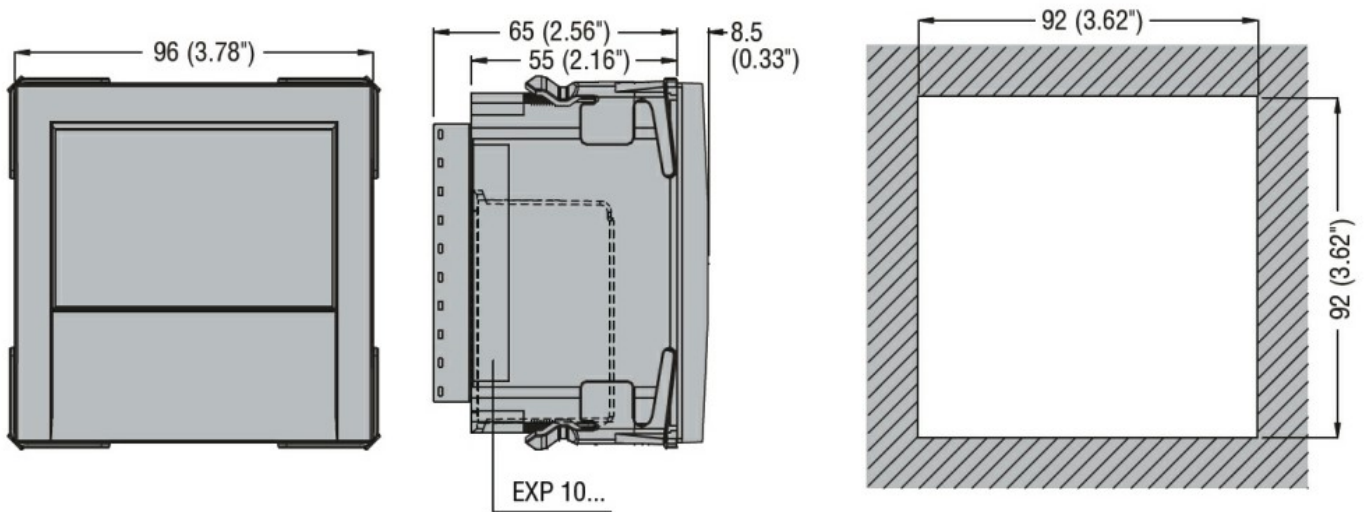
Housing type	Polyamide		
Terminals type	Removable		
Conductor cross section			
	min	mm ²	0.2
	Max	mm ²	2.5
	min	AWG	24
	Max	AWG	12

Tightening torque (Max)		
	Nm	0.5
	lbin	4.5
Fixing		Flush-mounting
Weight	g	350

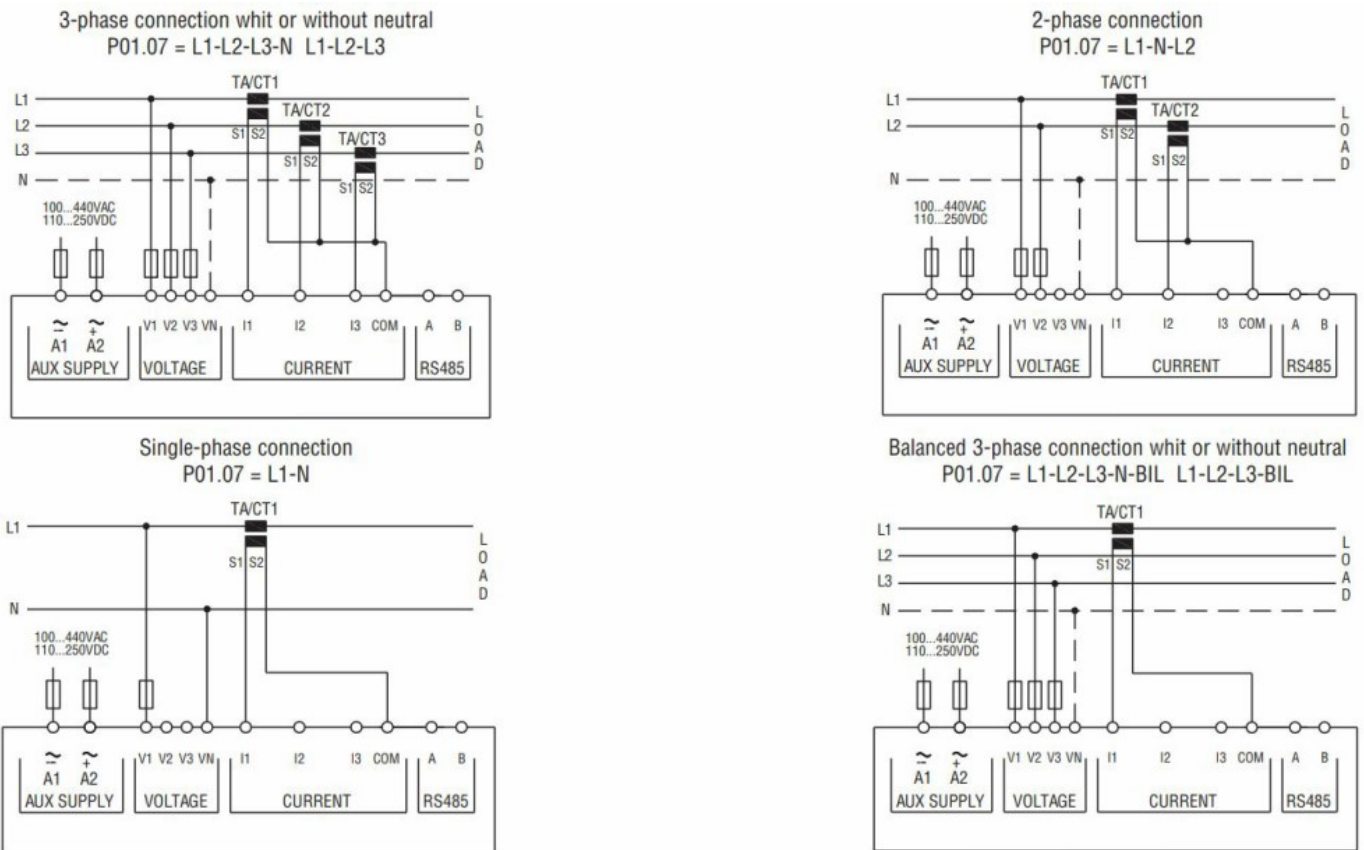
Ambient conditions

Temperature			
Operating temperature			
	min	°C	-20
	max	°C	+60
Storage temperature			
	min	°C	-30
	max	°C	+80
Relative humidity		%	<90
Maximum Pollution degree			2
Protection degree			IP54 on front - IP20 terminals

Dimensions



Wiring diagrams



Certifications and compliance

Compliance

- IEC/EN 61000-6-2
- IEC/EN 61000-6-3
- IEC/EN 61010-1
- IEC/EN 61010-2-030

Certificates

cULus

ETIM classification



DMG615
FLUSH-MOUNT LCD MULTIMETER, EXPANDABLE. HIGH ACCURACY MEASURING OF ACTIVE ENERGY WITH CLASS 0.5S. BACKLIGHT ICON LCD, 72X46MM/2.8X1.8", HARMONIC ANALYSIS, AUXILIARY SUPPLY 100-440VAC/120-250VDC, FRONT OPTICAL PORT AND RS485 PORT

ETIM 8.0

EC002301 -
Multifunction
measuring
instrument