

Mod. G7545 - Fittings Series 7000 - Automation

Product code: G7545 8-4

Datasheet creation date: 11/12/2025 09:42

Check the most updated document online [click here](#)

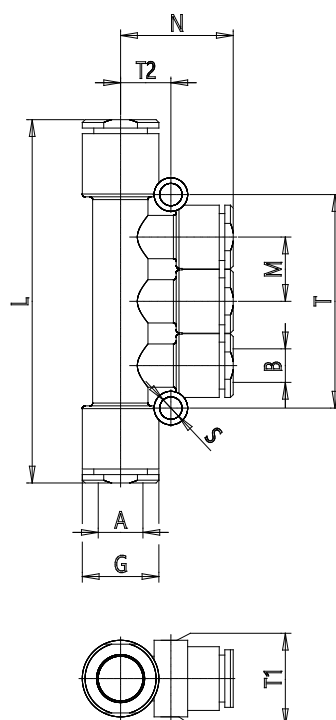


TECHNICAL DATA

Mod.	G7545 8-4
------	-----------

Mod. G7545 - Fittings Series 7000 - Automation

Product code: G7545 8-4



DIMENSIONS

A (mm)	8
B (mm)	4
G (mm)	13.7
L (mm)	65.0
M (mm)	11.5
N (mm)	27.0
T (mm)	38.2
T1 (mm)	13.7
T2 (mm)	8.0
Weight (g)	10