

Sensor/actuator box - SACB- 8/3-L-M16-M8 HD - 1166980

Please be informed that the data shown in this PDF Document is generated from our Online Catalog. Please find the complete data in the user's documentation. Our General Terms of Use for Downloads are valid (<http://phoenixcontact.com/download>)




Sensor/actuator box, application: Standard, connection method: M8 socket Metal, number of slots: 8, number of positions: 3, coding: A - standard, slot assignment: single, status display: yes, pnp; master cable connection: M16 plug connection 90°, shielding: no

Your advantages

- Safety in the field, thanks to molded housing and high degree of protection
- Convenient: increased machine availability thanks to quick and easy diagnostics



Key Commercial Data

Packing unit	1 pc
GTIN	 4 063151 184087
GTIN	4063151184087
Weight per Piece (excluding packing)	140.000 g
Weight per piece (including packing)	141.000 g
Custom tariff number	85444290
Country of origin	Germany

Technical data

General

Rated voltage	24 V DC
Max. operating voltage U_{max}	30 V DC
Current carrying capacity per I/O signal	2 A
Current carrying capacity per slot	2 A
Total rated current	6 A
Number of positions	3
Number of slots	8
Sensor/actuator connection system	M8 socket
Note	NOTE: Observe the permissible bending radii when laying conductors, since the degree of protection may be put in jeopardy if the bending

Sensor/actuator box - SACB- 8/3-L-M16-M8 HD - 1166980

Technical data

General

	forces are too high. Alleviate mechanical loads upstream of the connector, e.g. by using cable ties.
	Unused slots are to be sealed off prior to commissioning. Suitable sealing elements are to be found under "Accessories".

Ambient conditions

Degree of protection	IP67
Ambient temperature (operation)	-20 °C ... 80 °C

Local diagnostics function

Local diagnostics	Supply voltage per module Green LED
	Status display I/O Yellow LED

Master cable data/connection data

Connection method	M16 plug connection
Tightening torque - master cable - plug connection	1.5 Nm
Tightening torque slot sensor/actuator cable	0.2 Nm
Tightening torque of mounting screw for fixing the housing	0.8 Nm

Insulation material

Housing material	PBT
Material of the moulding mass	PUR
Contact material	CuZn
Contact surface material	Ni/Au
Contact carrier material	PBT
Material of contact, master cable side	CU alloy
Material of threaded sleeve	Cu alloy
Material of threaded sleeve surface	Nickel-plated
O-ring material	FKM

Pin assignment

Slot/position = Wire color or connection	1 / 4 (A) = P
	2 / 4 (A) = J
	3 / 4 (A) = T
	4 / 4 (A) = S
	5 / 4 (A) = G
	6 / 4 (A) = R
	7 / 4 (A) = E
	8 / 4 (A) = O
	1-8 / 1 (+ 24 V) = A+M
	1-8 / 3 (0 V) = L+U

Standards and Regulations

Standards/specifications	M8 connector IEC 61076-2-104
--------------------------	------------------------------

Environmental Product Compliance

Sensor/actuator box - SACB- 8/3-L-M16-M8 HD - 1166980

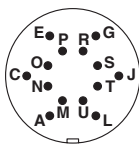
Technical data

Environmental Product Compliance

REACH SVHC	Lead 7439-92-1
China RoHS	Environmentally Friendly Use Period = 50 years
	For details about hazardous substances go to tab "Downloads", Category "Manufacturer's declaration"

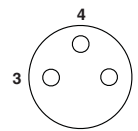
Drawings

Schematic diagram



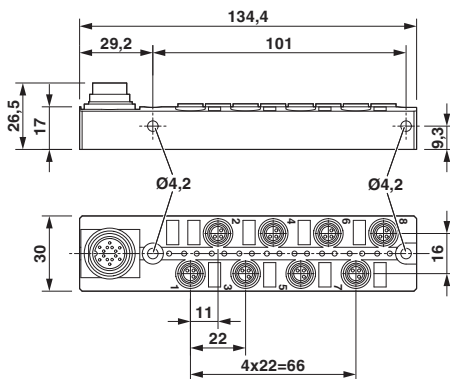
M16 plug connection pin, 14-pos.

Schematic diagram

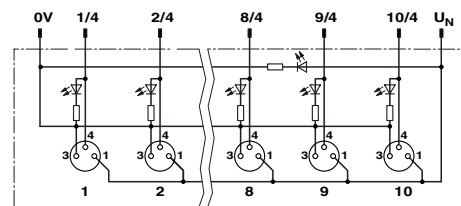


M8 slot, socket, 3-pos.

Dimensional drawing



Circuit diagram



Further information can be found in the connection assignment section

Classifications

eCl@ss

eCl@ss 10.0.1	27440111
eCl@ss 11.0	27440111
eCl@ss 9.0	27440108

ETIM

ETIM 7.0	EC003558
----------	----------

Approvals

Approvals

Sensor/actuator box - SACB- 8/3-L-M16-M8 HD - 1166980

Approvals

Approvals

UL Recognized / cUL Recognized / cULus Recognized

Ex Approvals

Approval details

UL Recognized		http://database.ul.com/cgi-bin/XYV/template/LISEXT/1FRAME/index.htm	E238705
cUL Recognized		http://database.ul.com/cgi-bin/XYV/template/LISEXT/1FRAME/index.htm	E238705
cULus Recognized			

Accessories

Accessories

Labeled terminal marker

Marker for terminal blocks - UCT1U-TM 5 CUS - 8191012



Markers for terminal blocks, for marking terminal blocks from Weidmüller, Conta Clip, and Klemsan, 72-section, offset foot, can be ordered in sheet form, marked according to customer specifications, color: white

Master cable, assembled

Master cable - SAC-12P- 5,0-PUR/M16FR - 1693720



Master cable, application: Sensor/actuator box, connection method: M8 socket Metal, number of slots: 8, number of positions: 12, slot assignment: single, status display: No; master cable connection: M16 plug connection, PUR/PVC, cable length: 5 m, shielding: no

Sensor/actuator box - SACB- 8/3-L-M16-M8 HD - 1166980

Accessories

Master cable - SAC-12P-10,0-PUR/M16FR - 1693733



Master cable, application: Sensor/actuator box, connection method: M8 socket, number of slots: 8, number of positions: 12, slot assignment: single, status display: No; master cable connection: M16 plug connection, PUR/PVC, cable length: 10 m, shielding: no

Connector - SACC-M16FS-14CON-M - 1500554



M16 socket, 14-pos., with solder connection, freely configurable, straight, for a 6.0 mm conductor diameter ... 8.0 mm

Connector - SACC-M16FR-14CON-M - 1500253



M16 socket, 14-pos., with solder connection, freely configurable, angled, for a 6.0 mm conductor diameter ... 8.0 mm

Plug for cable screw gland

Screw plug - PROT-M8 - 1682540



An M8 screw plug for the unoccupied M8 sockets of the sensor/actuator cable, boxes and flush-type connectors

Screwdriver tools

Tool - SAC BIT M8-D10 - 1208461



Nut for assembling M8 connectors with longitudinal knurl and a knurl diameter of 10 mm, for 4 mm hexagonal drive

Sensor/actuator box - SACB- 8/3-L-M16-M8 HD - 1166980

Accessories

Tool - SACC BIT M8-D12 - 1208474



Nut for assembling M8 connectors with longitudinal knurl and a knurl diameter of 12 mm, for 4 mm hexagonal drive

Terminal marking

Marker for terminal blocks - UCT1U-TM 5 - 0803204



UniCard materials for thermal transfer printers, for marking terminal blocks from Weidmüller, Conta Clip, and Klemmsan, 72-section, offset foot, can be marked with THERMOMARK CARD and BLUEMARK, color: white

Torque tool

Torque screwdriver - TSD 02 SAC - 1208487



Torque screwdriver, with preset torque of 0.2 Nm and 4 mm hexagonal drive for M8 connectors