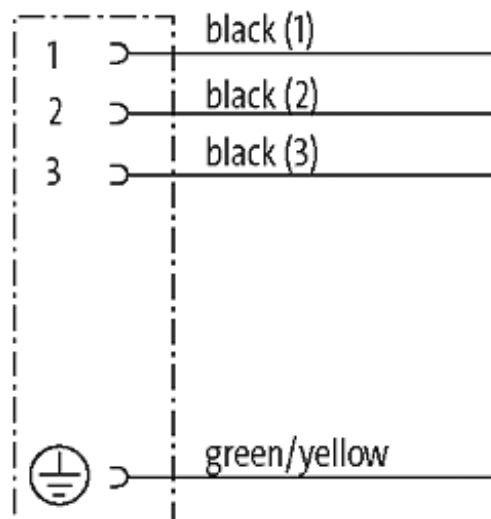


M12 Power S-coded female receptacle front mount

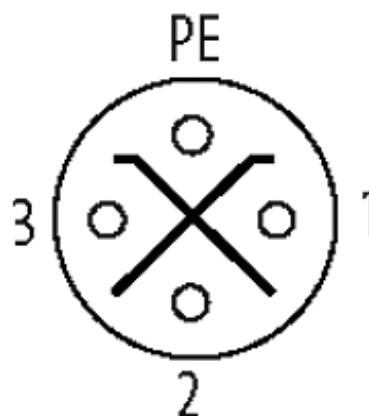
wires mPPE 4x1.5 1m

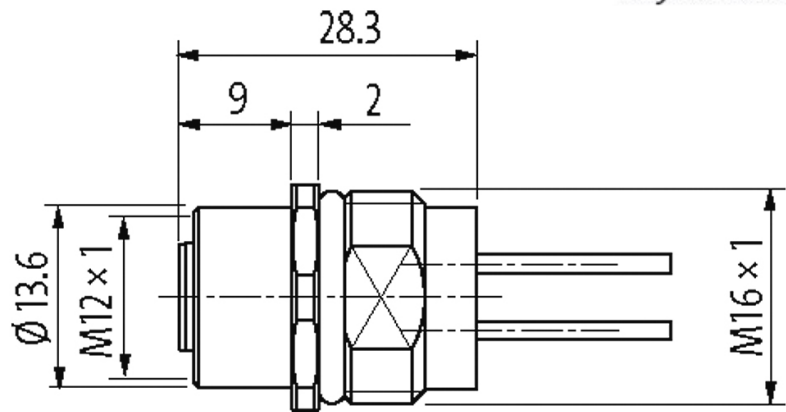
Flange female
M12, 4-pole
S-coded
Front mounting
with multi-strand wire

The resistance to aggressive media should be individually tested for your application.
Further details on request. Further cable lengths on request.

[Link to Product](#)**Illustration**

Female





Product may differ from Image

Form

Form P6291

Cables

Cable number	940
No./diameter of wires	4 × 1.5 mm ²
Wire isolation	PPE (bk num, gnye)
Temperature range (fixed)	-40...+85 °C

Technical Data

Operating voltage	max. 630 V AC/DC
Rated surge voltage	6 kV
Operating current per contact	max. 12 A
Material group	IEC 60664-1, category III
Coding	S-coded
Locking of ports	Screw thread M12 × 1 mm (recommended torque 0.6 Nm) self-securing
Compression gland	Flange (SW17)
Protection	IP67 inserted and tightened (EN 60529)
suitable for corrugated tube (internal Ø)	without

General data

Pollution Degree	3
Mounting set	Screw thread M16 × 1.5 mm (mounting nut)
Temperature range	-40...+85 °C, depending on cable quality
Material (gasket)	FKM

Commercial data

country of origin	DE
customs tariff number	85444290
EAN	4048879654388
minimum order quantity	1