

4-643819-0 ✓ ACTIVE

MTA 156

TE Internal #: 4-643819-0

10 Position, Receptacle, Connector Assembly, Insulation

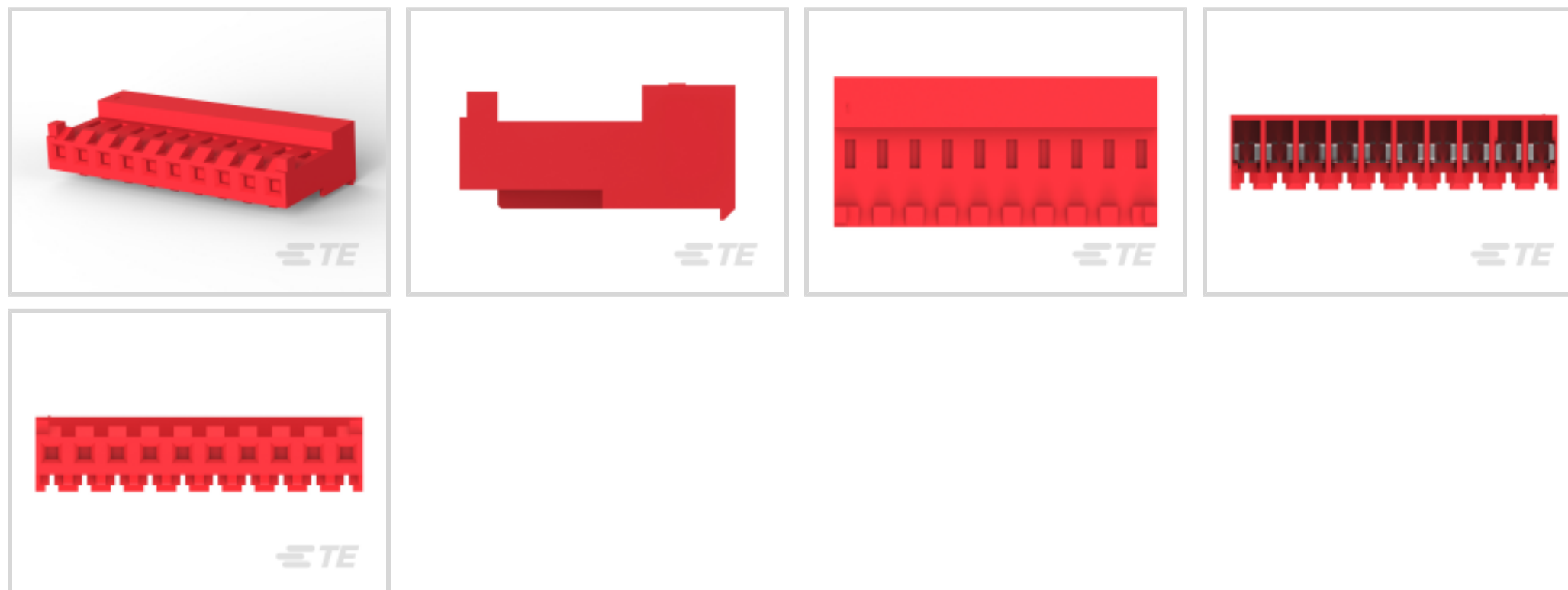
Displacement (IDC), Wire-to-Board, Tin (Sn), UL 94V-2, 3.96 mm [

156 in] Centerline, MTA 156

[View on TE.com >](#)



Connectors > Rectangular Connectors > Standard Rectangular Connectors



Connector Product Type: **Connector Assembly**

Mating Alignment: **With**

Mating Alignment Type: **Polarizing Tab**

Connector & Housing Type: **Receptacle**

Mating Retention Type: **Locking Ramp**

Features

Product Type Features

| | |
|------------------------------------|--------------------|
| Compatible With Discrete Wire Type | Stranded |
| Connector Product Type | Connector Assembly |
| Connector & Housing Type | Receptacle |
| Connector System | Wire-to-Board |
| Sealable | No |
| Connector & Contact Terminates To | Wire & Cable |

Configuration Features

| | |
|---------------------------|----|
| Number of Positions | 10 |
| Number of Rows | 1 |
| Number of Power Positions | 10 |

Electrical Characteristics

| | |
|-------------------|---------|
| Operating Voltage | 600 VAC |
|-------------------|---------|

Body Features

| | |
|-----------------------|-----|
| Primary Product Color | Red |
|-----------------------|-----|



| | |
|------------------|-----|
| Cable Exit Angle | 90° |
|------------------|-----|

Contact Features

| | |
|---|-------------------------------|
| Contact Underplating Material | Nickel |
| Contact Underplating Material Thickness | 30 µm [.762 µin] |
| Contact Layout | Inline |
| Contact Base Material | Copper Alloy |
| Wire Contact Termination Area Plating Thickness | 2.03 µm [80 µin] |
| Contact Mating Area Plating Material Finish | Matte |
| Contact Mating Area Plating Material | Tin (Sn) |
| Contact Retention Within Housing | With |
| Contact Current Rating (Max) | 7 A |
| Contact Type | Receptacle |
| Wire Contact Termination Area Plating Material | Tin |
| Contact Mating Area Plating Material Thickness | 2.03 – 5.08 µm [80 – 200 µin] |

Termination Features

| | |
|------------------------------------|-------------------------------|
| Termination Method to Wire & Cable | Insulation Displacement (IDC) |
|------------------------------------|-------------------------------|

Mechanical Attachment

| | |
|---------------------------------------|----------------------------|
| Strain Relief | With |
| Panel Mount Feature | Without |
| Contact Retention Type Within Housing | Locking Lance |
| Mating Alignment | With |
| Mating Alignment Type | Polarizing Tab |
| Mating Retention Type | Locking Ramp |
| Mating Retention | With |
| Connector Mounting Type | Cable Mount (Free-Hanging) |

Housing Features

| | |
|------------------------------------|-------------------|
| Wire & Cable IDC Installation Type | Closed End |
| Centerline (Pitch) | 3.96 mm [.156 in] |
| Housing Material | Nylon |

Dimensions

| | |
|--------------------------------------|-------------------|
| Compatible Insulation Diameter Range | 2.41 mm [.095 in] |
| Connector Height | 9.02 mm |



| | |
|------------------|----------|
| Connector Length | 39.62 mm |
|------------------|----------|

| | |
|-----------|----------------------|
| Wire Size | .325 mm ² |
|-----------|----------------------|

Usage Conditions

| | |
|-----------------------------|----------------------------|
| Operating Temperature Range | -55 – 105 °C[-67 – 221 °F] |
|-----------------------------|----------------------------|

Operation/Application

| | |
|---------------------|-------|
| Circuit Application | Power |
|---------------------|-------|

Industry Standards

| | |
|---|---------|
| Compatible With Agency/Standards Products | CSA, UL |
|---|---------|

| | |
|-----------|------------|
| UL Rating | Recognized |
|-----------|------------|

| | |
|---|-----------|
| Compatible With Approved Standards Products | UL E28476 |
|---|-----------|

| | |
|------------|--------------------|
| CSA Rating | Certified, LR 7189 |
|------------|--------------------|

| | |
|------------------------|----------|
| UL Flammability Rating | UL 94V-2 |
|------------------------|----------|

| | |
|------------------|-------------------------------|
| Glow Wire Rating | Standard Part - Not Glow Wire |
|------------------|-------------------------------|

Packaging Features

| | |
|--------------------|-----|
| Packaging Quantity | 250 |
|--------------------|-----|

| | |
|------------------|-----------|
| Packaging Method | Bag & Box |
|------------------|-----------|

Product Compliance

[For compliance documentation, visit the product page on TE.com>](#)

| | |
|------------------------------|-----------|
| EU RoHS Directive 2011/65/EU | Compliant |
|------------------------------|-----------|

| | |
|-----------------------------|-----------|
| EU ELV Directive 2000/53/EC | Compliant |
|-----------------------------|-----------|

| | |
|---|---|
| China RoHS 2 Directive MIIT Order No 32, 2016 | No Restricted Materials Above Threshold |
|---|---|

| | |
|--|---|
| EU REACH Regulation (EC) No. 1907/2006 | Current ECHA Candidate List: JUNE 2025 (250) Candidate List Declared Against: JUNE 2025 (250) Does not contain REACH SVHC |
|--|---|

| | |
|-----------------|--|
| Halogen Content | BFR/CFR/PVC Free, but Br/Cl >900 ppm in other sources. |
|-----------------|--|

| | |
|---------------------------|--|
| Solder Process Capability | Not applicable for solder process capability |
|---------------------------|--|

Product Compliance Disclaimer

This information is provided based on reasonable inquiry of our suppliers and represents our current actual knowledge based on the information they provided. This information is subject to change. The part numbers that TE has identified as EU RoHS compliant have a maximum concentration of 0.1% by weight in homogenous materials for lead, hexavalent chromium, mercury, PBB, PBDE, DBP, BBP, DEHP, DIBP, and 0.01% for cadmium, or qualify for an exemption to these limits as defined in the Annexes of Directive 2011/65/EU (RoHS2). Finished electrical and electronic equipment products

will be CE marked as required by Directive 2011/65/EU. Components may not be CE marked. Additionally, the part numbers that TE has identified as EU ELV compliant have a maximum concentration of 0.1% by weight in homogenous materials for lead, hexavalent chromium, and mercury, and 0.01% for cadmium, or qualify for an exemption to these limits as defined in the Annexes of Directive 2000/53/EC (ELV). Regarding the REACH Regulation, the information TE provides on SVHC in articles for this part number is based on the latest European Chemicals Agency (ECHA) 'Guidance on requirements for substances in articles' posted at this URL: <https://echa.europa.eu/guidance-documents/guidance-on-reach>

Compatible Parts



TE Part # 4-644617-0
10P MTA156 HDR ASSY PO RA FB LF



TE Part # 4-644615-0
10P MTA156 POL LOCK ASSY LF



TE Part # 1-640551-0
10P MTA156 COVER



TE Part # 58247-2
MTA 156 CRIMP HEAD PRODUCTION DISCRETE



TE Part # 1-644752-0
10P MTA156 HDR ASSY SQ STR F/L



TE Part # 643701-1
10P MTA156 HDR ASSY STR W/O#4



TE Part # 3-647125-0
10P MTA156 SHRD HDR ASSY LF



TE Part # 4-644755-0
10P MTA156 HDR ASSY SQ RARB F/L



TE Part # 1-1744516-0
10P MTA156 HDR PO GW LF



TE Part # 1-643071-0
10P MTA156 FD-THRU COVER



TE Part # 59804-1
MAINTENANCE TOOL



TE Part # 3-647123-0
10P MTA156 SHRD HDR ASSY SQ SN



TE Part # 643701-9
10P MTA156 HDR ASSY STR W/O#3,



TE Part # 3-647127-0
10P MTA156 SHRD HDR ASSY LF



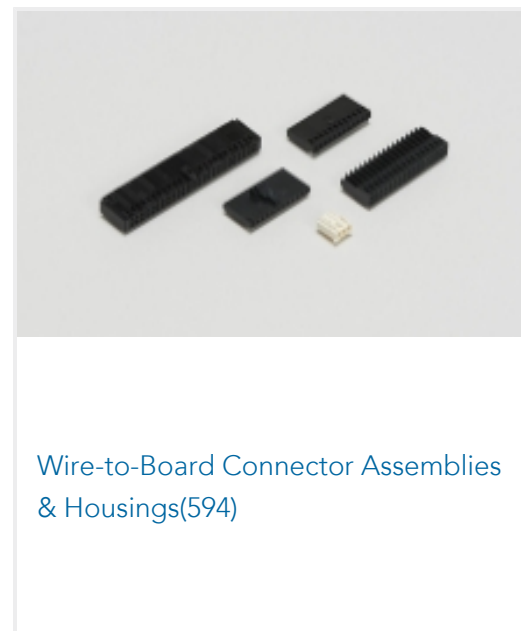
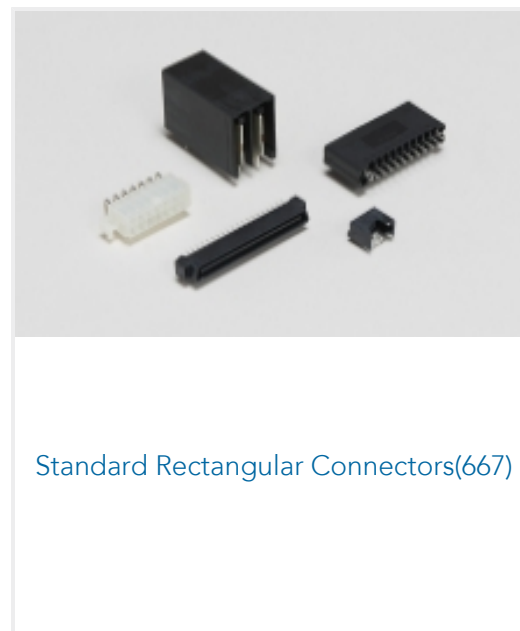
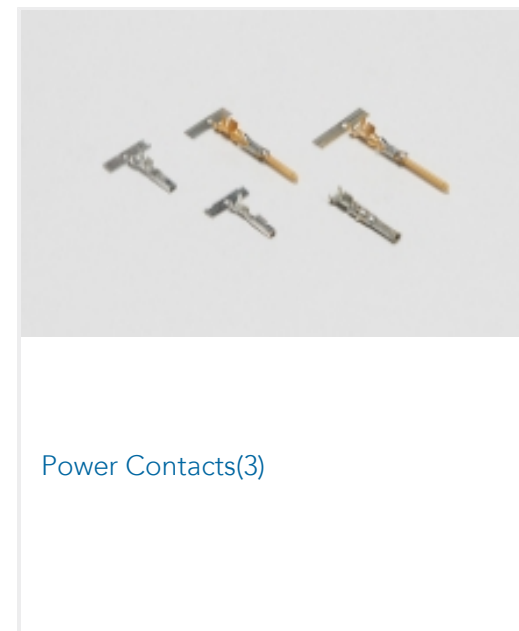
TE Part # 1-640388-0
10P MTA156 HDR ASSY RN STR F/L



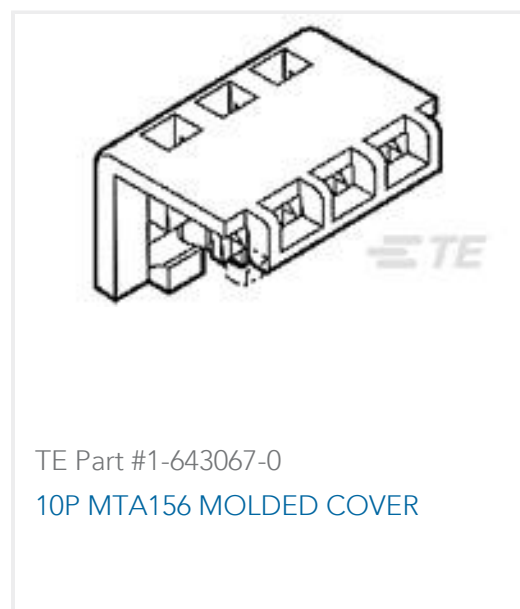
TE Part # 1-644753-0
10P MTA156 HDR ASSY RN STR F/L



Also in the Series | **MTA 156**



Customers Also Bought





TE Part #2106751-2
Connector, Thru Hole-IDC, 2 pos,
18AWG



TE Part #6609104-7
PE0SSSX0=C1132

Documents

Product Drawings

[10P MTA156 CONN ASSY 22AWG RED](#)

English

CAD Files

[3D PDF](#)

3D

[Customer View Model](#)

[ENG_CVM_CVM_4-643819-0_J.2d_dxf.zip](#)

English

[Customer View Model](#)

[ENG_CVM_CVM_4-643819-0_J.3d_igs.zip](#)

English

[Customer View Model](#)

[ENG_CVM_CVM_4-643819-0_J.3d_stp.zip](#)

English

By downloading the CAD file I accept and agree to the [Terms and Conditions](#) of use.

Product Specifications

[Application Specification](#)

English

[Application Specification](#)

Japanese

[Application Specification](#)

English

[MTA 156 Ribbon Cable Connector Assemblies \(English And Spanish\)](#)

English

[MTA 156 Ribbon Cable Connector Assemblies \(English And Spanish\)](#)

Japanese

Agency Approvals

[Agency Approval Document](#)

English