

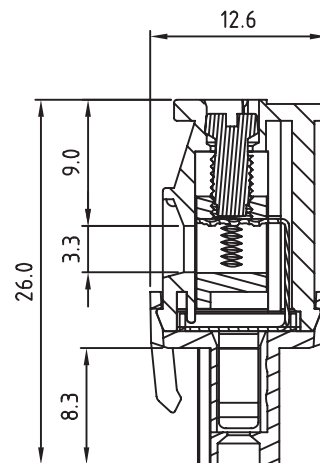
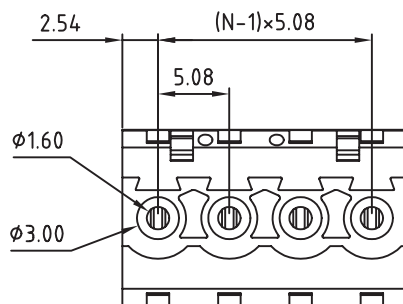
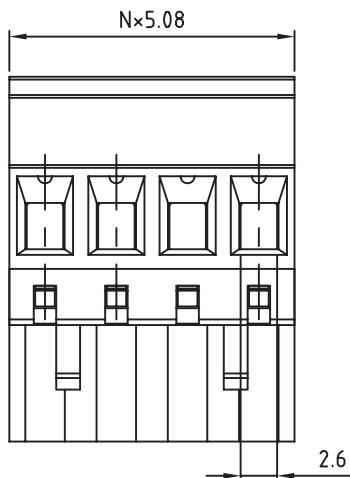
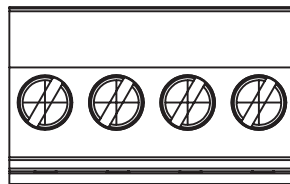
1

2

3

4

5



TECHNICAL CHARACTERISTICS

MATERIAL

INSULATOR: PA 66
 FLAMABILITY RATING: UL94-V0
 COLOR: GREEN
 METAL HOUSING: BRASS (CuZn)
 TERMINAL SCREW: STEEL ZINC PLATING "-" SLOT TYPE
 WIRE GUARD: PhBz TIN PLATED

ENVIRONMENTAL

OPERATING TEMPERATURE: -40 UP TO 105°C
 COMPLIANCE: LEAD FREE AND ROHS

ELECTRICAL

	cULus	VDE
CURRENT RATING:	15A	17A
WORKING VOLTAGE:	300VAC	300VAC
WITHSTANDING VOLTAGE:	1.6KV	2.5KV
CONTACT RESISTANCE:	20 mOhm MAX	

MECHANICAL

SOLID WIRE:	24-12 AWG / 0.20-3.0MM ²
STRANDED WIRE:	24-12 AWG / 0.20-3.0MM ²
TORQUE:	3.5Lb.In - 0.4Nm

WIRE STRIPE LENGTH: 6-7MM

SCREW: M3

PITCH: 5.08MM

PACKAGING: BOX

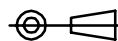
SERIE 352

CERTIFICATION



RoHS Compliant

PROJECTION:



GENERAL TOLERANCE

.X = +/- 0.2

.XX = +/- 0.15



APPROVAL: RJ

UNIT: MM

SCALE:

SHEET: 1/1

DRAW: MARVIN

DESCRIPTION: SERIE 352 - 5.08MM HORIZONTAL CABLE ENTRY PLUG WITH HOOK ON WIRE SIDE - 3.0MM² WIRES WR-TBL

WERI PART NO: 691 352 510 0xx

SIZE

A4

REV	DATE	FILE	BY
A	31-OCT-07	PDF	EC
B	30-OCT-08	CHARACTERISTICS	JP