

Bocube Alu

Enclosure with smooth lid, graphite grey, covers anodised, hinged



BA 141309-7024

Order no.: 00113234

* = Available on request.

Characteristics

Colour of enclosure group
Graphite grey, similar to RAL 7024

Protection class
IP 66, 68 - 1,2m (2 hours), 69

Enclosure Material

Enclosure: GD Al Si 12, seal PU foamed;

Hinges / covers: Al Mg Si 0.5 powder-coated / natural-coloured anodised

The materials correspond to requirements set R1 or R7 acc. to DIN EN 45545-2 of hazard level HL3.

Scope of delivery

enclosure incl. hinge and fixing material

Important!

To compensate for pressure when temperatures change and cause moisture in the enclosure, we recommend that you use a pressure compensation element.

» Additional information

Technical documentation / Downloads

Technical drawings

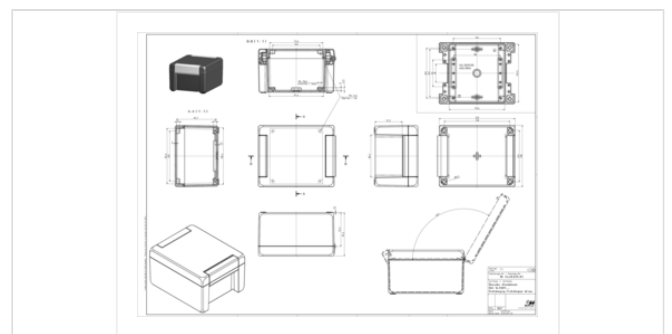
3D product data in STEP format: Registration necessary
Product drawing in PDF format: 00113234 BA-141309-70243D.pdf (1.3 MB)
Product drawing in DXF format: 00113234 BA-141309-7024.dxf (2.9 MB)

20.09.2019

Dimensions

Dimensions
159 x 128 x 90 mm

Product drawing



Product information

Bocube Alu GB.pdf (1.3 MB)

Drawing for mechanical processing: 00113234 BA-141309-7024-G.dxf
(2.1 MB)

Milling contours are shown here as a DXF file. (Sub D, USB, HDMI, cable glands, ...)

Assembly Instructions

Bocube-Alu BA Gehaeusemontage Enclosure Assembly 00911501.pdf
(183.5 KB)

Works Test Certificates

690 WPZ-Bocube-Alu DE.pdf (178.0 KB)

690 WPZ-Bocube-Alu EN.pdf (172.5 KB)

Matching accessories



Wall brackets

00500204 BA WL 13 - 7024 For BA ..13..



Quick-release fastener

00430209 BA 13 SV-C-0 For BA ..13.. anodized



Pressure compensation membrane DAE

52011000 DAE-D11 Self-adhesive membrane \varnothing 11 mm



Mounting panels, laminated paper, 2 mm

00603200 BA MH 1413 For BA 1413..



DIN rails DIN EN 60715 TH 15, galvanised steel

22151102 TS 15 For BA 1408.., BA 1413..



DIN rails DIN EN 60715 G 32, galvanised steel

22321102 TS 32 For BA 1408.., BA 1413..



DIN rails DIN EN 60715 TH 35, galvanised steel

22351102 TS 35 For BA 1408.., BA 1413..



Screws (SHR) and distance bolts (DIBLZ) for mounting bosses in plastic enclosures

59005049 SHR Z M4x8

KD = 8



Handle set for Bocube Alu, aluminium, powder-coated, silver

00510206* BA GR 13-9006

For BA ..13..