



# TRIM TRIO<sup>®</sup> screw termination contacts



## Description

UTS, part of the well-known TRIM TRIO<sup>®</sup> interconnection system

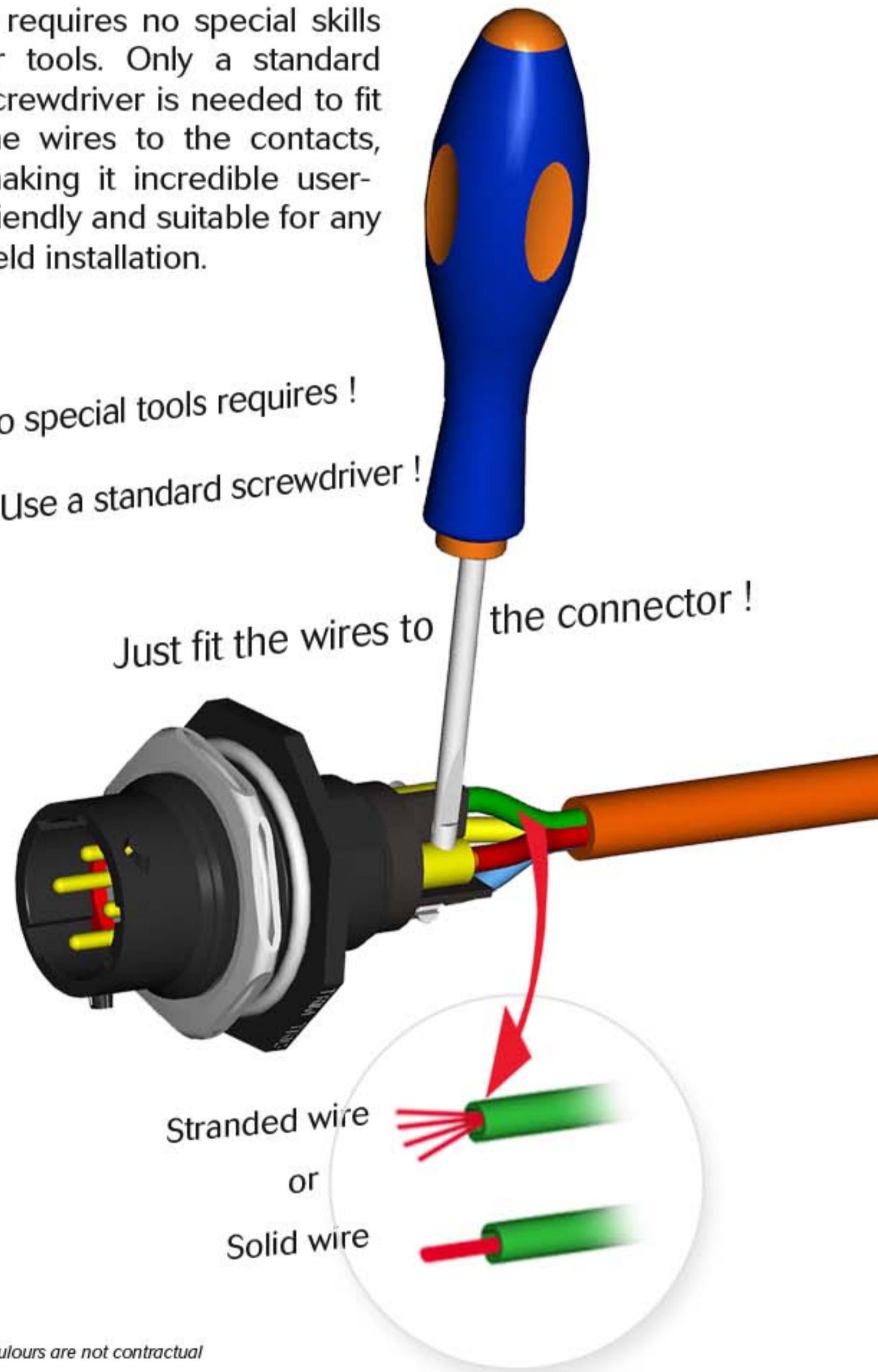
UTS series with screw termination contacts combines extreme sealing performance, rapid & secure connector mating with the ease of wire termination.

It requires no special skills or tools. Only a standard screwdriver is needed to fit the wires to the contacts, making it incredible user-friendly and suitable for any field installation.

No special tools requires !

Use a standard screwdriver !

Just fit the wires to the connector !



## Features

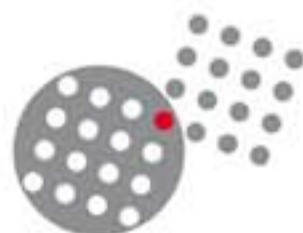
- Only a standard screwdriver is needed to fit the wires to the contacts
- Contact accepting a wide range of wires
- Rapid mating with 1/3 turn with an audible & sensitive "click"
- Dynamic IP68/69K water protection
- Rapid & secure mating - min 250 mating cycles
- High salt spray resistance
- Male connectors have a grounding contact
- RoHS compliant

## Applications

- Tunnel fans
  - Videosurveillance
  - Traffic control
  - Parking detection systems
  - Meteorological measurement systems
- and there is more

**UTS with screw contact termination is perfect for field installation**

**UTS : your first choice in waterproof connectors !**



**SOURIAU**  
Connection Technology



# TRIM TRIO<sup>®</sup> screw termination contacts

## Technical characteristics

### Mechanical

- Durability 250 cycles
- Thermal shock Per MIL-std 1344 method 1003
- Screw tightening torque 40 Ncm

### Electrical

- Current rating 13 Amp
- Insulation resistance 5000 MΩ min
- Test potential 2000 Vac
- Wire acceptance 0.5mm<sup>2</sup> to 2.5mm<sup>2</sup>
- Rated voltage 320 V class III, PD 2 per **VDE0110** (IEC 60664-1)
- Rated voltage per UL1977 type 2 500 V

### Environmental

- Operating temperature from -40°C to +105°C
- Flammability rating UL94V0 and NFF16102 level 2
- Sealing (mated) Dynamic IP68/69K
- UV resistant Sun and moisture as per ISO 4892
- Salt spray resistance 500 hours

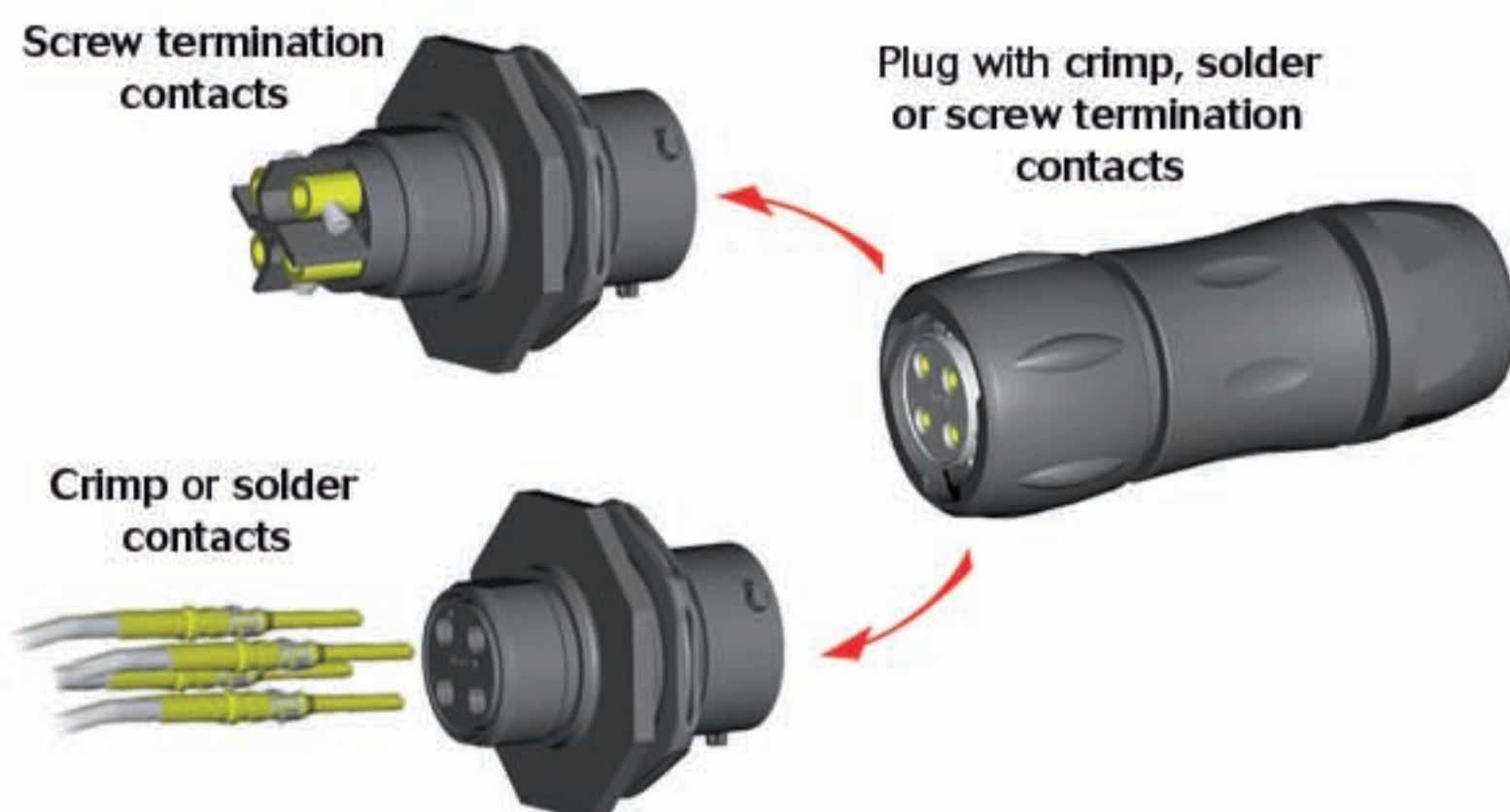
### Material

- Connectors + backshells Thermoplastic
- Contacts High conductive copper alloy  
Min 0.4µm gold plating
- RoHS compliant

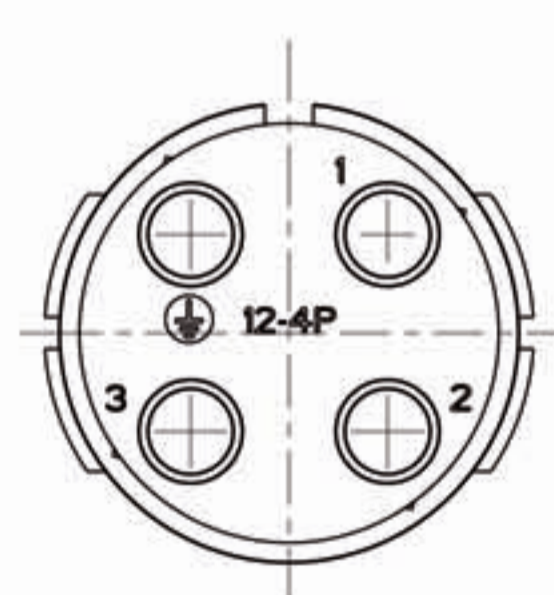


## Connector accommodation

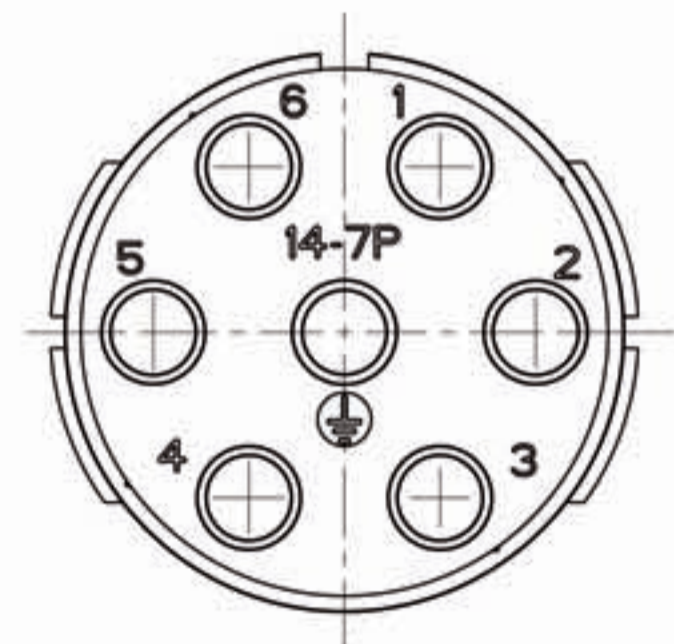
UTS connectors with screw termination contacts are fully intermateable and interchangeable with the UTS crimp and solder versions. (refer to UTS catalog or [www.souriau.com](http://www.souriau.com)).



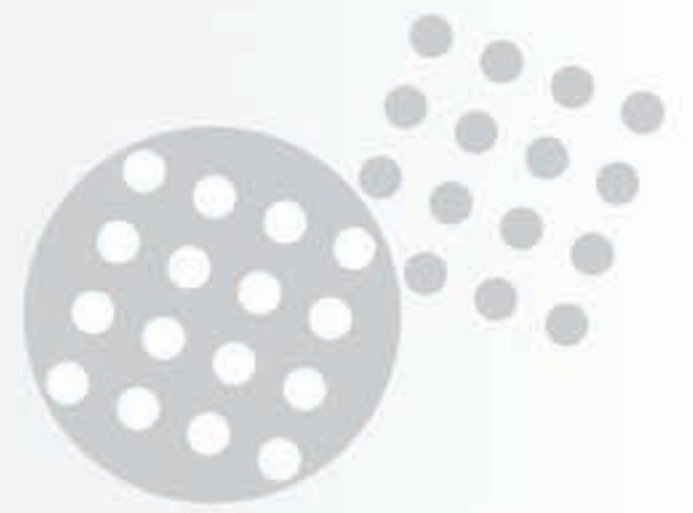
## Available arrangements



Size 12-4  
3 + Grounding



Size 14-7  
6 + Grounding



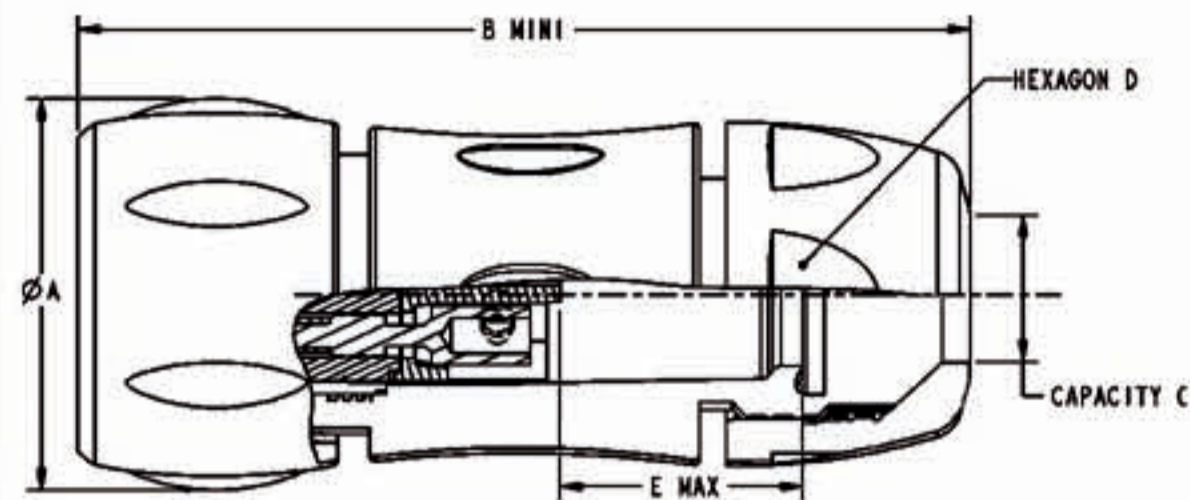
# TRIM TRIO<sup>®</sup> screw termination contacts

## Range presentation

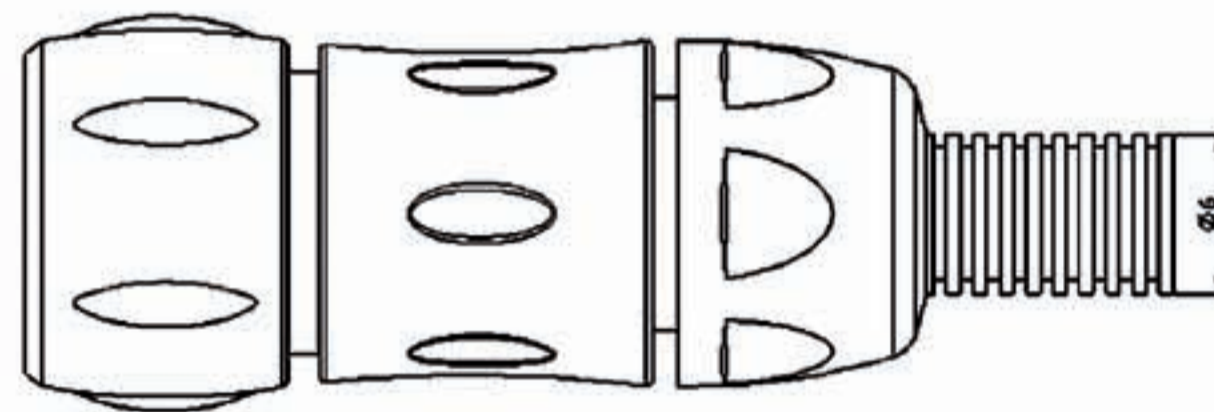
### Plug



LTS6JC124PSCR (male)  
LTS6JC124SSCR (female)  
LTS6JC147PSCR (male)  
LTS6JC147SSCR (female)



Shell size	12	14
Layout	4 (3+1)	7 (6+1)
ØA	29.7	34.6
B min.	66.7	71.5
Capacity C / Standard	5.0/12.0	7.0/14.0
Capacity C / Reducing seal	3.0/9.0	5.0/12.0
Hexagon D	24.0	26.0
E max. female	22.8	26.7
male	15.1	18.95



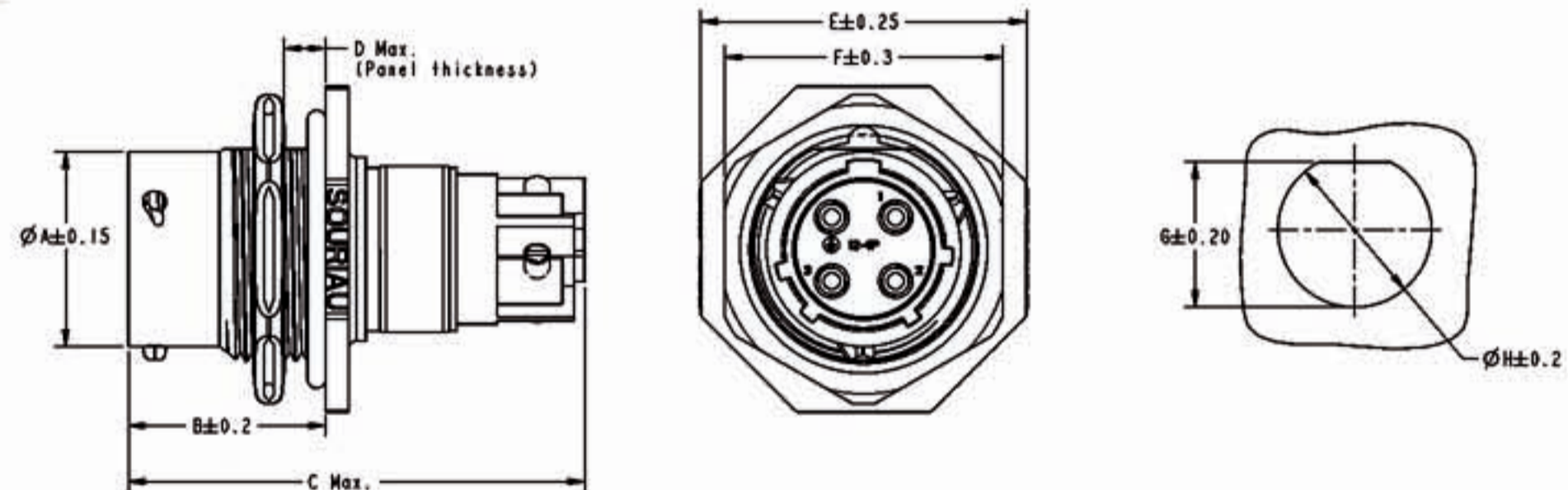
The standard plug and in-line receptacle (see below) can be fitted with a flexible conduit - not delivered by SOURIAU.

For all other requests, please consult the factory.

### Jam nut receptacle



LTS7124PSCR (male)  
LTS7124SSCR (female)  
LTS7147PSCR (male)  
LTS7147SSCR (female)



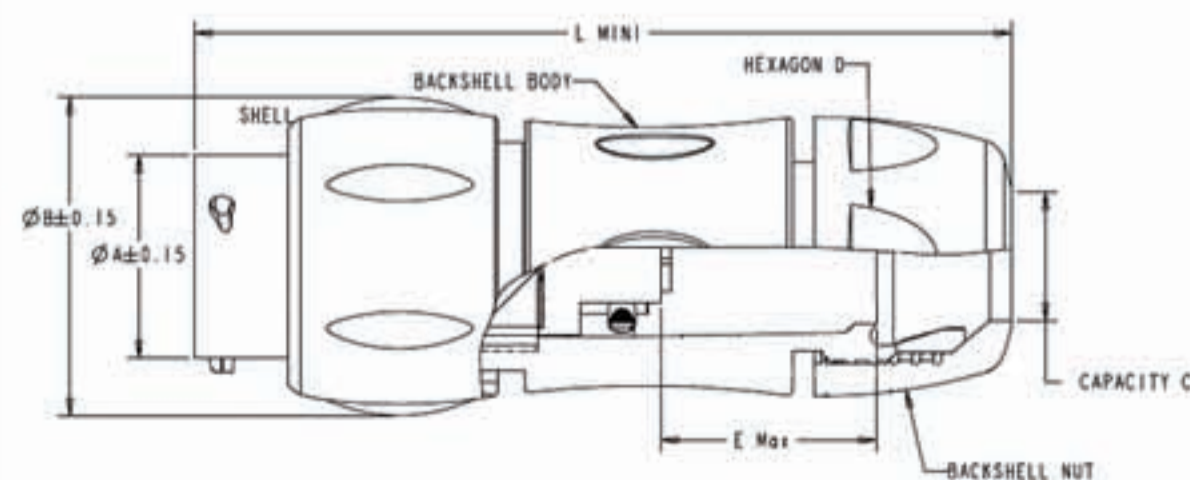
Shell size	Layout	A	B	C max male	C max female*	D max	E	F	G	H
12	4 (3+1)	19.0	19.3	46.5	38.3	3.2	31.8	27.0	21.2	22.5
14	7 (6+1)	22.2	19.3	52.5	44.4	3.2	34.9	30.2	24.3	25.7

\* Rear mounting only

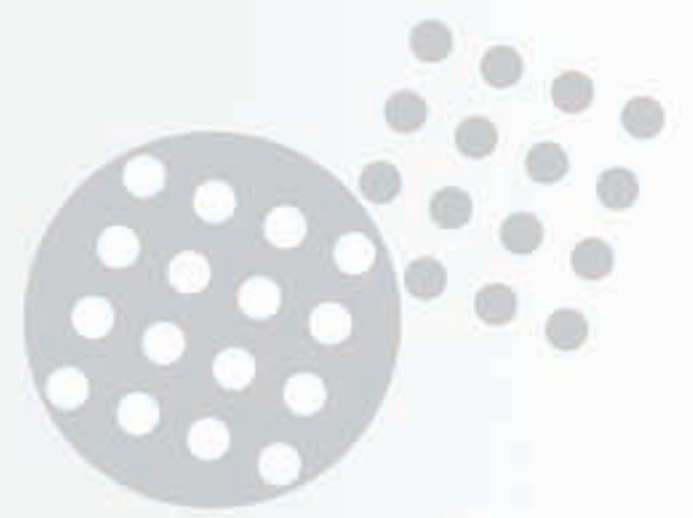
### In-Line receptacle



LTS1JC124PSCR (male)  
LTS1JC147PSCR (male)



Shell size	12	14
Layout	4 (3+1)	7 (6+1)
ØA	19.0	22.2
B	29.7	34.6
L mini	74.0	78.5
E	21.5	26.5
Capacity C / Standard	5.0/12.0	7.0/14.0
Capacity C / Reducing seal	3.0/9.0	5.0/12.0
Hexagon D	24.0	26.0



# TRIM TRIO<sup>®</sup> screw termination contacts

## Ordering information

Connector family	Receptacle	UTS	7	-	12	4	P	SCR
	Plug	UTS	6	JC	12	4	S	SCR
	In line	UTS	1	JC	12	4	P	SCR
Body variation	7 : Jam nut receptacle 6 : Cable plug 1 : In line receptacle							
Backshell	JC : IP68/69K backshell (only plug + free hanging)							
Shell size	12 or 14							
Number of contacts	4 or 7							
Type of contacts	P : male S : female							
Contact termination	SCR : Screw termination							

## Accessories

<p><b>Receptacle sealing cap</b></p>  <p>Part numbers : Size 12 : UTS12DCG Size 14 : UTS14DCG</p>	<p><b>Plug sealing cap</b></p>  <p>Part numbers : Size 12 : UTS612DCG Size 14 : UTS614DCG</p>	<p><b>Colour coding rings</b></p>  <p>Part numbers for receptacle: Size 12 : UTS712CCR* Size 14 : UTS714CCR* * Add G for Green, Y for Yellow, Ro for Red</p> <p>Part numbers for plug: Size 12 : UTS612CCR* Size 14 : UTS614CCR* * Add G for Green, Y for Yellow, Ro for Red</p>
--	---	---

**UTS : your first choice in waterproof connectors !**



For further information, visit our web site [www.souriau-industrial.com](http://www.souriau-industrial.com),  
or contact us at [contactindustry@souriau.com](mailto:contactindustry@souriau.com)