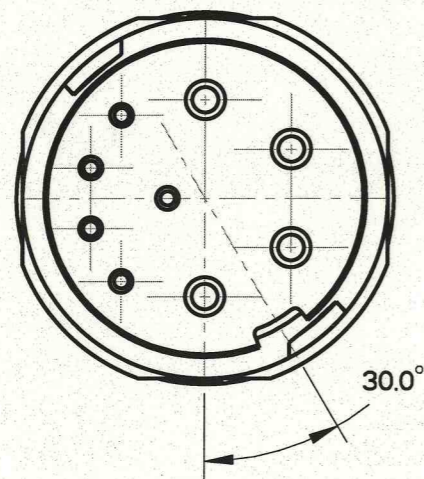
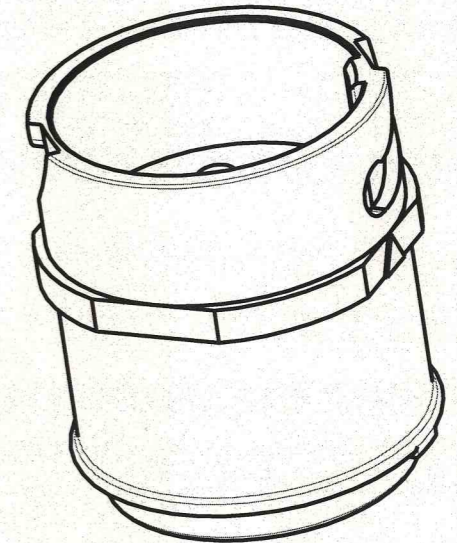
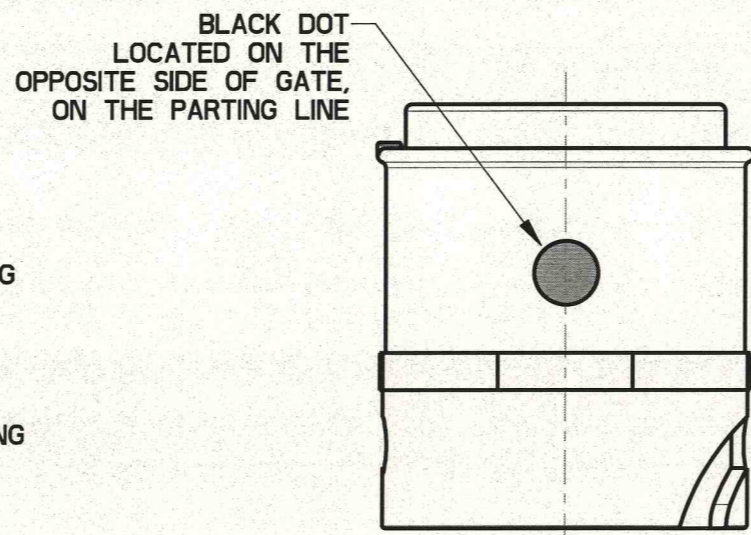
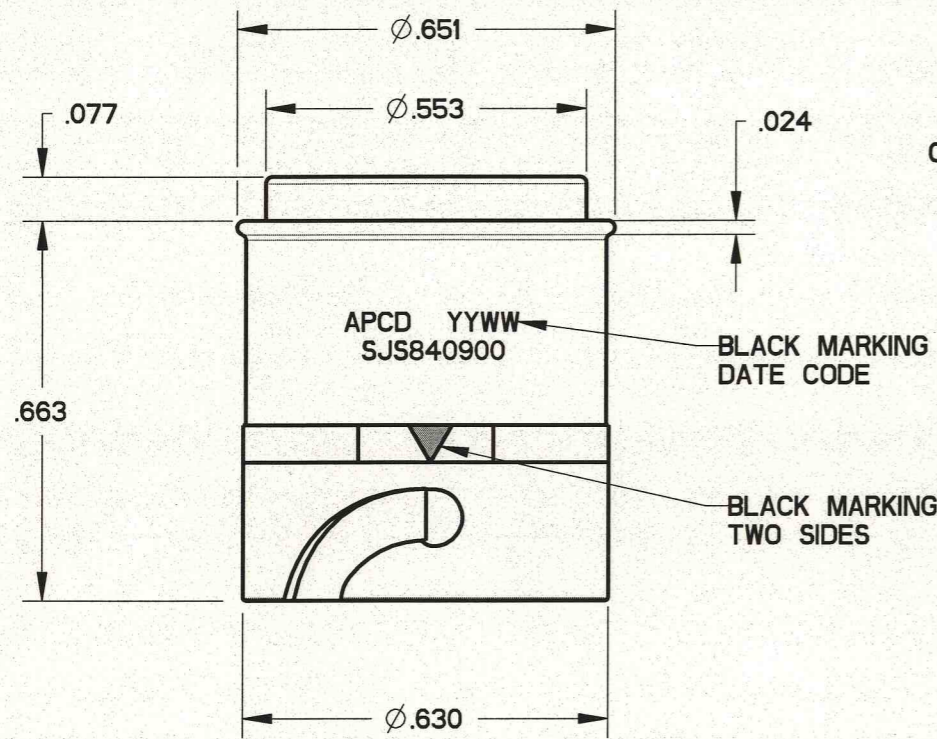
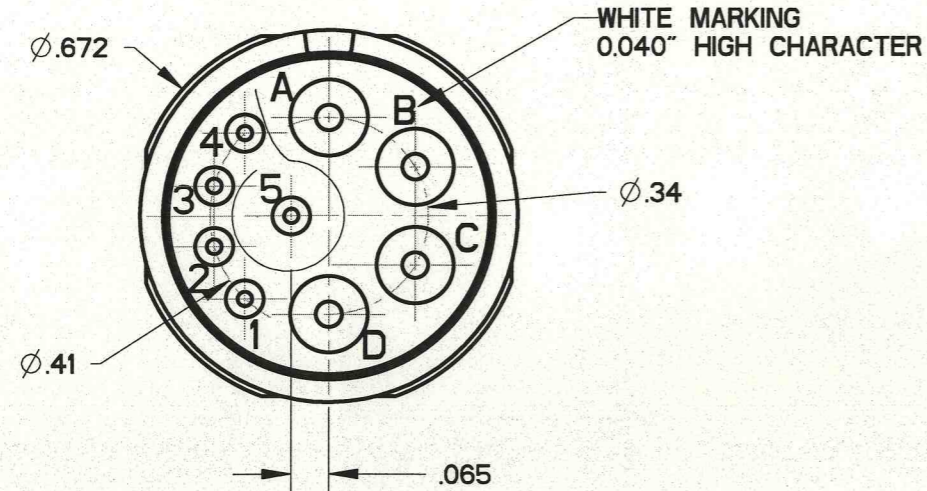


REV	ECN	APP'D
A	6428	10/28/09



- NOTES:
- MATERIALS:
HOUSING: PA6/6
CONTACT RETAINER: STAINLESS STEEL
GROMMET: SILICONE RUBBER PER A-A-59588
 - ACCEPTS M39029/58--360&364
PIN CONTACTS (NOT INCLUDED)
 - PART MATES WITH SJS840910
 - WEIGHT: 2.7 GRAMS

SJS840900

SJS840900

DIMENSIONS ANSI Y14.5M UNITS: INCHES Pro/E FILE	TOLERANCES .XX ±0.01 .XXX ±0.005 ANGLES ±1.0°	PROJECTION 	Amphenol Pcd SPECIFICATION DRAWING		TITLE 4P SZ16 & 5P SZ22 WHITE RECEPTACLE FOR SJS	
			ENGR Frank.Li 15-Jan-09	CHKD 10/26/09	APPD 10/28/09	SIZE B
ORIGINAL 	THIS DOCUMENT CONTAINS PROPRIETARY INFORMATION WHICH IS THE CONFIDENTIAL PROPERTY OF AMPHENOL PCD INC., BEVERLY, MA			CODE: 58982	SCALE: 3:1	SHEET 1 OF 1