


AMP* APPLICATION SPECIFICATION

114-18225-0

**Micro Quadlok System Pin- and Socket Housing
with integrated Retainer**

Contents	page
1 SCOPE	
1.1. Description	2
1.2. Applicable Documents	2
1.3. Tools	2
2. APPLICATION	
2.1. Loading Micro Quadlok System Receptables	3
2.1. Loading Micro Quadlok System Pin Contacts	4
2.3. Activating the Retainer	5
2.3. Realising the Retainer	5
2.5. Realising the Contact	6

* Trademark

-	-	-	-	DR	 AMP Deutschland GmbH D-63225 Langen			
-	-	-	-	J. Holzinger-				
-	-	-	-	CHK				
-	-	-	-	K. E. Pfaff-				
-	-	-	-	APP	NO	REV	LOC	
-	-	-	-	N. Krause-	114-18225-0	A	AI	
-	-	-	-	PAGE	TITLE			
A	EG00-0203-98	J. Holzinger	26 FEB 98	1 OF 6	Micro Quadlok System Pin- and Socket Housing with integrated Retainer			
LTR	REVISION RECORD	APP	DATE					

1. SCOPE

1.1. Description

This specification covers the requirements for the application of Micro Quadlok System pin- and socket housing with integrated retainer. The integration of retainer is realized by a cover mounted with a moulded hinge. The closed cover is also used as housing retainer. These products are only permissible for car interior.

1.2. Applicable Documents

114-18021 Application specification Micro Quadlok System
108-18030-0 Product specification Micro Quadlok System

Additional Drawings:

116-18000-200 Micro Quadlok Receiptable contacts, table drawing
116-18000-201 Micro Quadlok Receiptable contacts, table drawing

1.3. Tools

1.3.1. Tool for Locking Lance

A flat screwdriver or circular pin with width or diameter up to 0.9 mm can be used for releasing the locking lance.

1.3.2. Tool for Retainer

The retainer can be released with a flat screwdriver (for example according to DIN5264-A 0,4x2).

2. APPLICATION

2.1. Loading Micro Quadlok System Receptables

Before you load Micro Quadlok System Receptables in its cavities, be sure they fulfill the requirements of application specification 114-18021 for the Micro Quadlok System. The retainer must be unlocked.

The contacts are lead by its polarization lance and a notch in the cavity. The contacts have to be pushed until the locking spring closes (haptic or audible remark). The correct locking of the receptable has to be proved by a light pulling on the wire.

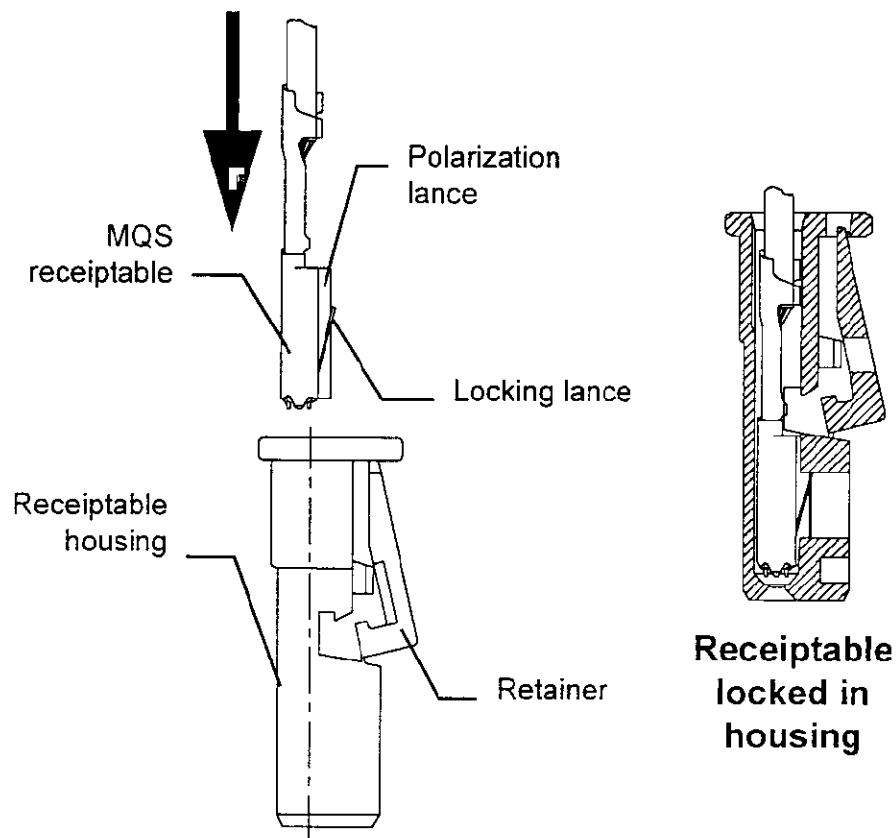


Figure 1

2.2. Loading Micro Quadlok System Pin Contacts

Before you load Micro Quadlok System pin contacts in its cavities, be sure they fulfill the requirements of application specification 114-18021 for the Micro Quadlok System. The retainer must be unlocked.

The contacts are lead by its polarization lance and a notch in the cavity. The contacts have to be pushed until the locking spring closes (haptic or audible remark). The correct locking of the receptable has to be proved by a light pulling on the wire.

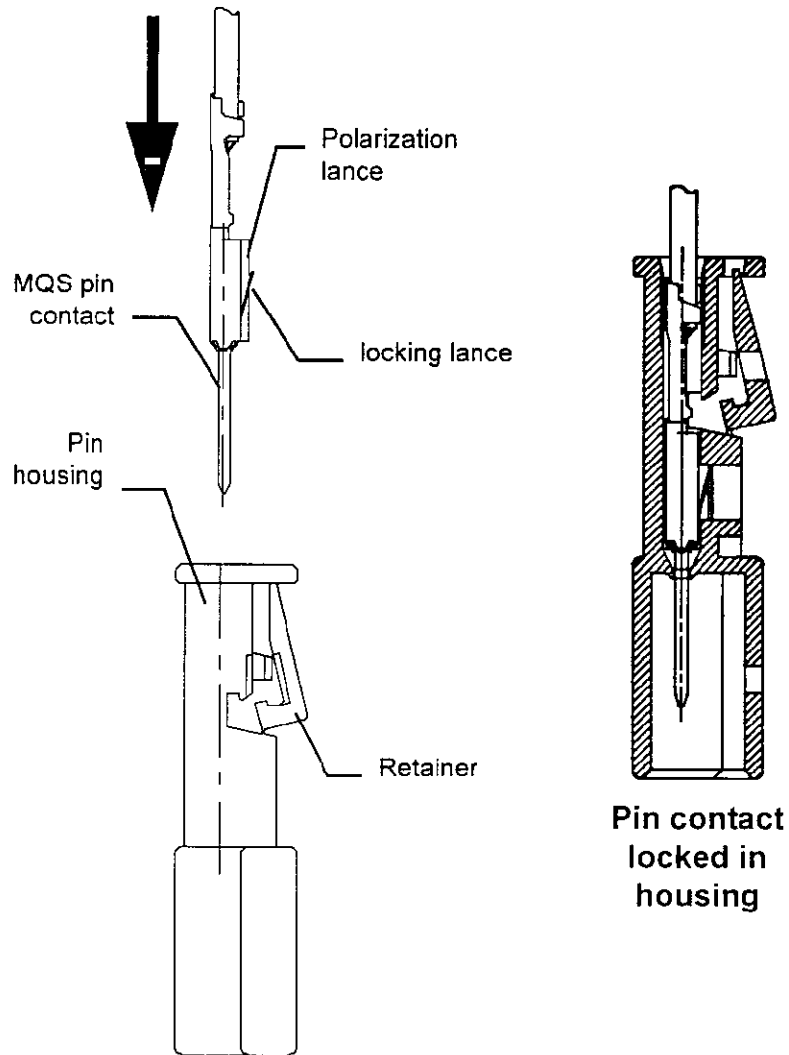


Figure 2

2.3. Activating the Retainer

Before you activate the retainer, all contacts must be locked in its cavities. The retainer must be pushed according to figure 3 (audible remark by locking).

Pre-lock position

End position

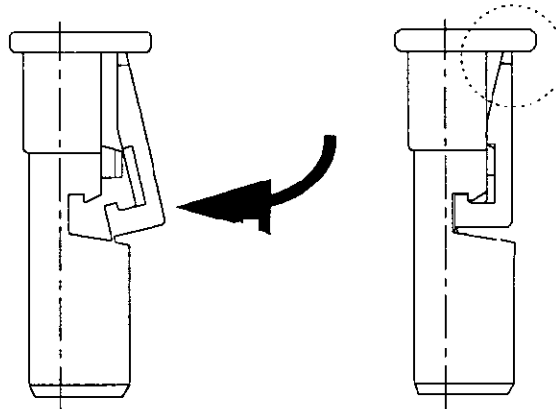


Figure 3

2.4. Releasing of the retainer

The retainer can be released by a tool according to Para. 1.3.2. The tool has to be lead in the unlocking notch (acc. figure.4).

It should be observed that the hinge is not damaged by unlocking the retainer.

Damaged pin- or receptacle housings should be replaced! Otherwise the cover with broken hinge have to be fixed on the backside according to the marked area in figure 3.

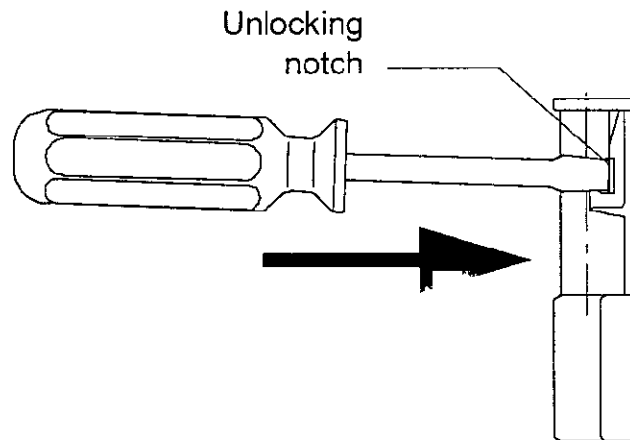


Figure 4

2.5. Releasing the Contact

Some pin- or receptacle housings with integrated retainer have an opening on the mating side, which is mostly placed on the upper side.

The unlocking tool according to para. 1.3.1. can be lead through these openings. For realising the locking lance, push it down under the backwall of the cavity. Figure 5 shows the unlocking motion for housings opened on the upper side. Figure 6 is the synonymous for the mating side. With a released lance the contact have to be removable with light force.

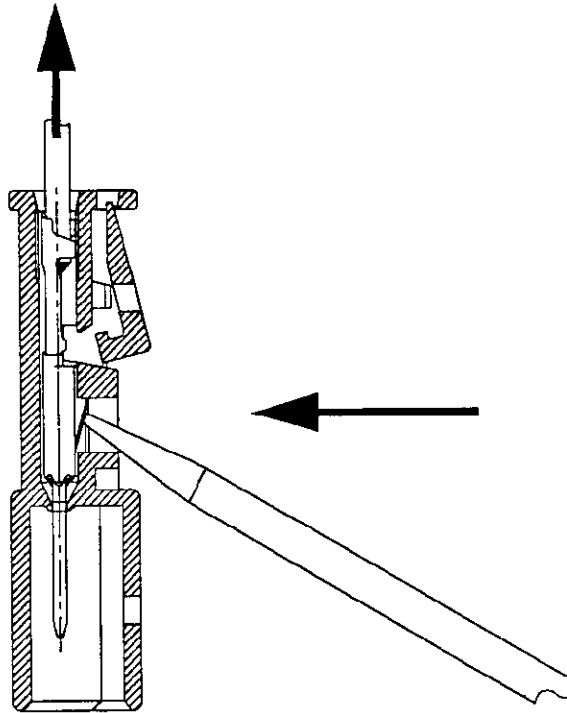


Figure 5

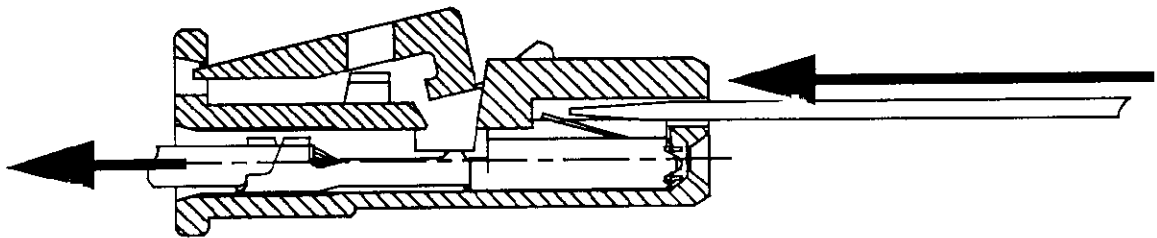


Figure 6