


**Ordering number C11425**  
**Description 1**

Family	Strada-T	FWHM	Asym degrees
Type	Lens	Efficiency	94 %
LED	LUXEON T	cd/Im	-
Color	Clear	Gerber File	Available
Diameter	19.6 x 15.5 mm		
Height	10.7 mm		
Style	Rectang		
Optic Material	PMMA		
Holder Material	-		
Fastening	-		
Status	Ready		

**Ordering number CA11426**  
**Description 1**

Family	Strada-T	FWHM	Asym degrees
Type	Assembly	Efficiency	(simulated) 93 %
LED	LUXEON T	cd/Im	-
Color	Clear	Gerber File	Available
Diameter	19.6 x 15.5 mm		
Height	10.7 mm		
Style	Rectang		
Optic Material	PMMA		
Holder Material	-		
Fastening	-		
Status	Ready		



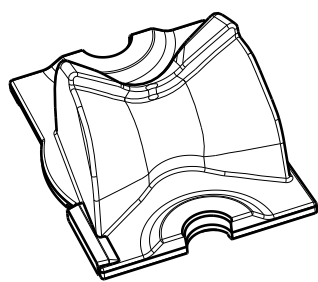
**PRODUCT DATASHEET**  
**Strada-T series**  
last update 29/4/2013

PHILIPS  
LUMILEDS

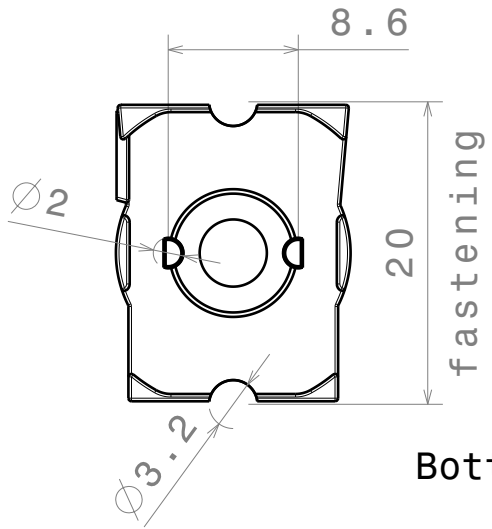
**NOTE: The typical divergence will be changed by different color, chip size and chip position tolerance. The typical total divergence is the full angle measured where the luminous intensity is half of the peak value.**

D C B A

4

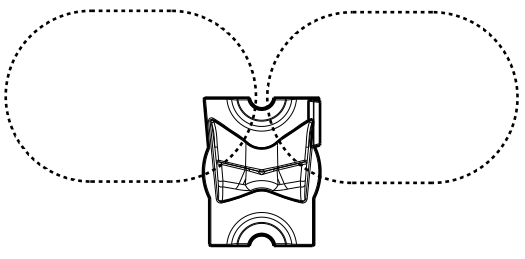


Isometric view

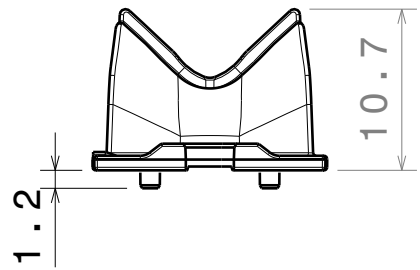


Bottom view

3

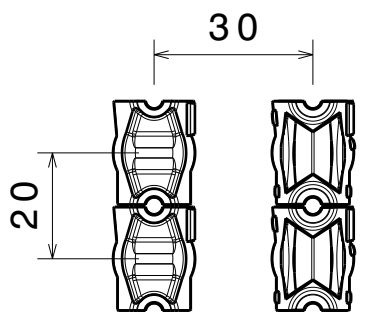


Beam direction

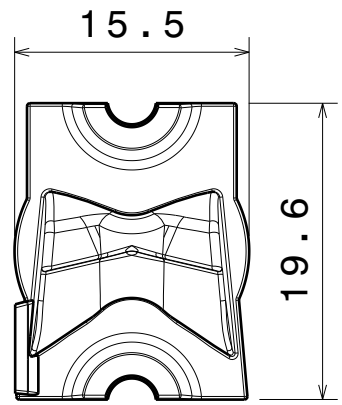


Front view

2



Strada lens arrangement recommendation



Top view

MATERIALS  
 Lens: PMMA  
 Tape(optional): PU Foam

Part no. with tape fastening: CA11426\_Strada-T-DW

This drawing is our property. It can't be reproduced or communicated without our written agreement.



Ledil Oy  
 Tehdaskatu 13  
 FIN-24100 SALO  
 Finland

DRAWING TITLE

Datasheet Strada-T-DW Lens

<b>DRAWN BY</b> o1	<b>DATE</b> 17.05.2010
<b>CHECKED BY</b> pv	<b>DATE</b> 17.05.2010
<b>DESIGNED BY</b> hh	<b>DATE</b> 17.05.2010

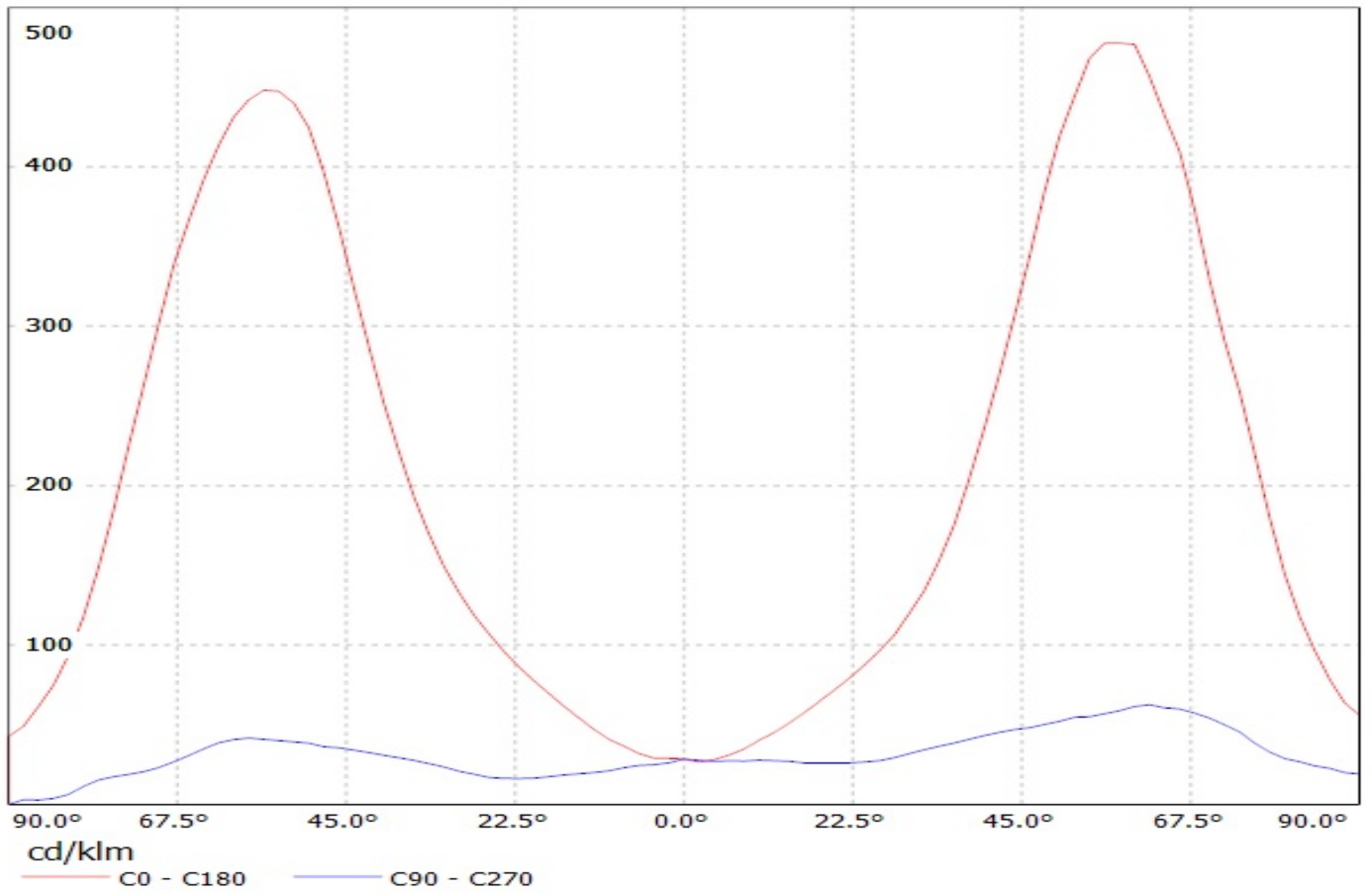
<b>SIZE</b> A4	<b>DRAWING NUMBER</b> C11425	<b>REV</b> 1
<b>SCALE</b> 2:1	<b>WEIGHT (g)</b>	<b>SHEET</b> 1/1

1

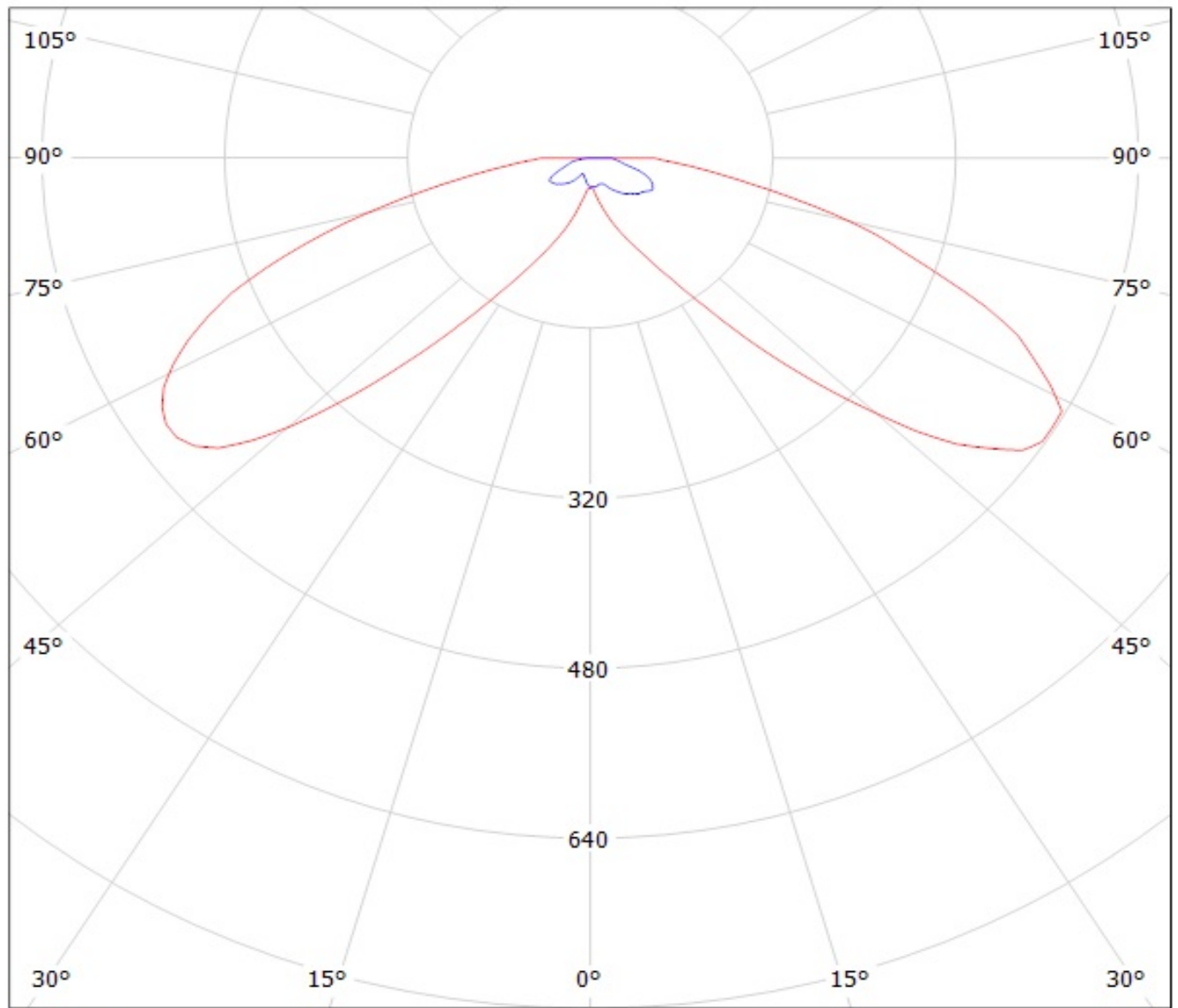
1

D A

Luminaire: Ledil Oy C11425\_Strada-T-DW (Luxeon T 71lm @ 250mA) Efficiency=94%  
Lamps: 1 x Luxeon T 71lm @ 250mA (LXH8-FW30-3) CCT=3158K P=0.75W I=250mA



Luminaire: Ledil Oy C11425\_Strada-T-DW (Luxeon T 71lm @ 250mA) Efficiency=94%  
Lamps: 1 x Luxeon T 71lm @ 250mA (LXH8-FW30-3) CCT=3158K P=0.75W I=250mA



cd/klm

— C0 - C180

— C90 - C270