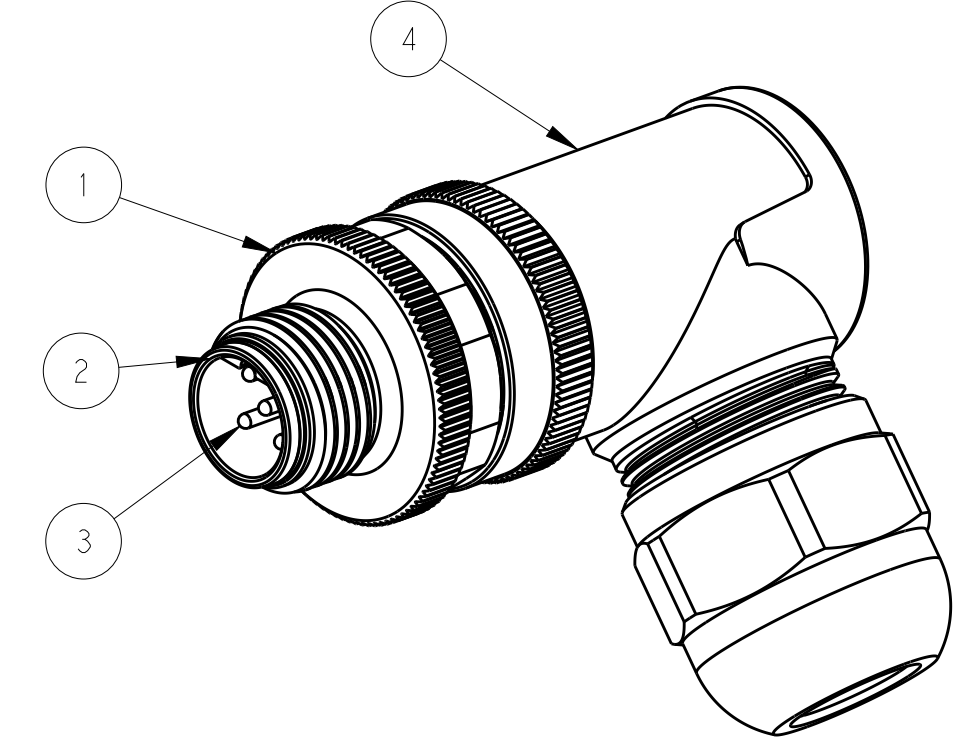
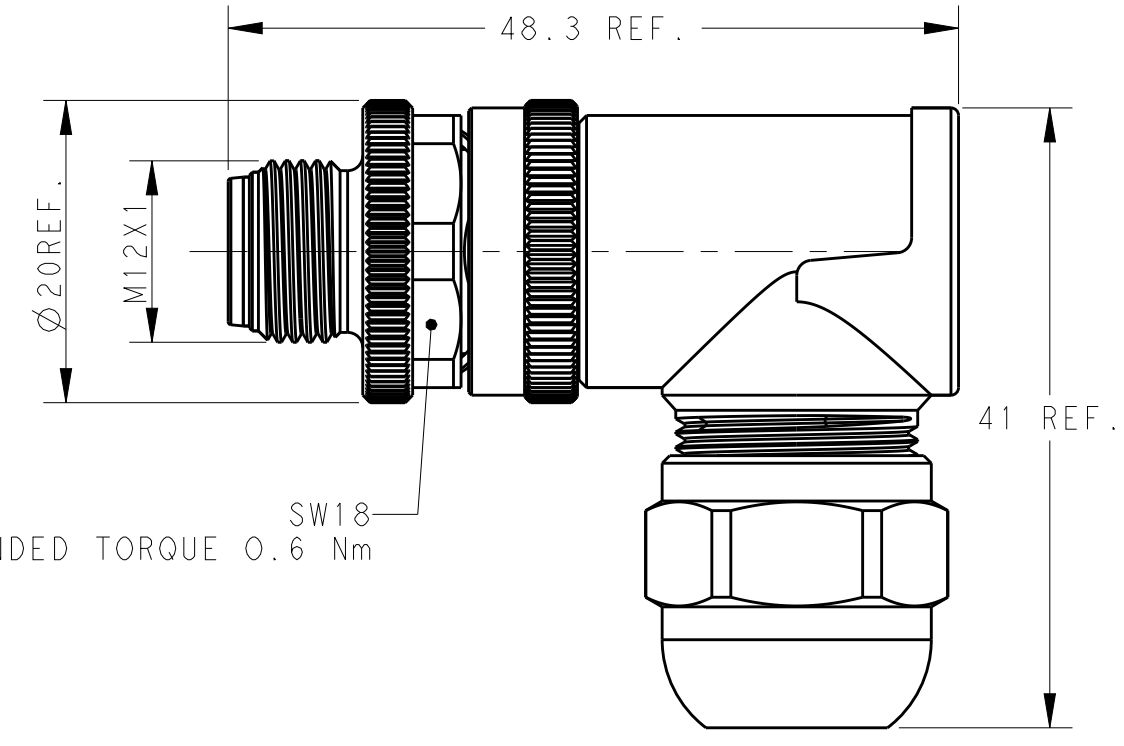
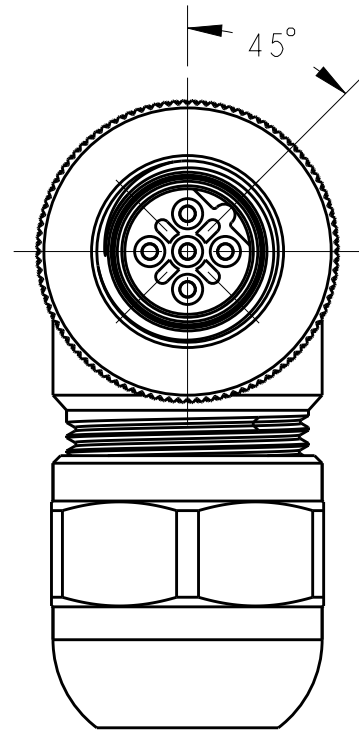


THIS DRAWING IS UNPUBLISHED. RELEASED FOR PUBLICATION 20
 © COPYRIGHT 20 BY - ALL RIGHTS RESERVED.

REVISIONS				
P	LTR	DESCRIPTION	DATE	APVD
A		INITIAL RELEASE	25SEP2015	N.P X.X



TECHNICAL DATA	T411341X02X-000	T411341X03X-000	T411341X04X-000	T411341X05X-000	T411341X08X-000
RATED VOLTAGE	250V	250V	250V	60V	30V
RATED CURRENT	4A	4A	4A	4A	2A
POLLUTION DEGREE	3	3	3	3	3
OVERVOLTAGE CATEGORY	II	II	II	II	II
MATERIAL GROUP	II	II	II	II	II
CONTACT RESISTANCE	≤8mΩ	≤8mΩ	≤8mΩ	≤8mΩ	≤8mΩ
INSULATION RESISTANCE	>100MΩ	>100MΩ	>100MΩ	>100MΩ	>100MΩ
DEGREE OF PROTECTION	IP67	IP67	IP67	IP67	IP67
OPERATION TEMPERATURE	-40~85°C	-40~85°C	-40~85°C	-40~85°C	-40~85°C

NOTE:
 1. MATERIAL:
 ITEM NO.1: NUT -BRASS
 ITEM NO.2: HOUSING -PA
 ITEM NO.3: CONTACT -BRASS
 ITEM NO.4: HOUSING BODY: -BRASS
 2. CONTACT FINISH:
 GOLD OVER NICKEL OR SILVER OVER NICKEL
 3. CABLE WIRES:
 18AWG/0.75mm² Max. FOR 2-5 PINS
 20AWG/0.50mm² Max. FOR 8 PINS
 4. ALL DIMENSIONS ARE FOR NOMINAL REFERENCE ONLY UNLESS OTHERWISE STATED
 5. PACKAGING: 1PIECE IN A BAG
 6. PN INFORMATION

PIN ARRANGEMENT B-CODE		
T411341X02X-000	T411341X03X-000	T411341X04X-000
T411341X05X-000		

T4113412051-000	RPC-M12B-MR-5CON-PG9-SHU
T4113411051-000	RPC-M12B-MR-5CON-PG7-SHU
T4113412052-000	RPC-M12B-MR-5CON-PG9-SH
T4113411052-000	RPC-M12B-MR-5CON-PG7-SH
T4113412041-000	RPC-M12B-MR-4CON-PG9-SHU
T4113411041-000	RPC-M12B-MR-4CON-PG7-SHU
T4113412042-000	RPC-M12B-MR-4CON-PG9-SH
T4113411042-000	RPC-M12B-MR-4CON-PG7-SH
T4113412031-000	RPC-M12B-MR-3CON-PG9-SHU
T4113411031-000	RPC-M12B-MR-3CON-PG7-SHU
T4113412032-000	RPC-M12B-MR-3CON-PG9-SH
T4113411032-000	RPC-M12B-MR-3CON-PG7-SH
T4113412021-000	RPC-M12B-MR-2CON-PG9-SHU
T4113411021-000	RPC-M12B-MR-2CON-PG7-SHU
T4113412022-000	RPC-M12B-MR-2CON-PG9-SH
T4113411022-000	RPC-M12B-MR-2CON-PG7-SH
TE PN	TYPE

T411341XXXX-000
 CONTACT FINISH:
 1: GOLD OVER NICKEL
 2: SILVER OVER NICKEL
 NUMBERS OF PINS:
 02: 2 PINS
 03: 3 PINS
 04: 4 PINS
 05: 5 PINS
 08: 8 PINS
 CABLE OUTLET:
 1: PG7(CABLE FEED: 4-6mm)
 2: PG9(CABLE FEED: 6-8mm)

THIS DRAWING IS A CONTROLLED DOCUMENT.		DWN Nick Pan 24AUG2015	TE Connectivity	
		CHK Kobby Zhao 24AUG2015		
DIMENSIONS: mm		APVD Xiang Xu 24AUG2015	NAME M12 MALE, RIGHT ANGLE SHIELDED CONNECTOR B CODE, SCREW TERMINAL	
TOLERANCES UNLESS OTHERWISE SPECIFIED:		PRODUCT SPEC 108-106140	SIZE A2	
0 PLC ±		APPLICATION SPEC 114-106140	CAGE CODE -	
1 PLC ±0.25		WEIGHT -	DRAWING NO. C-T411341XXXX000	
2 PLC ±0.15		Customer Drawing	RESTRICTED TO -	
3 PLC ±		SCALE 2:1	SHEET 1 OF 1	
4 PLC ±			REV A	
ANGLES ±				
FINISH -				