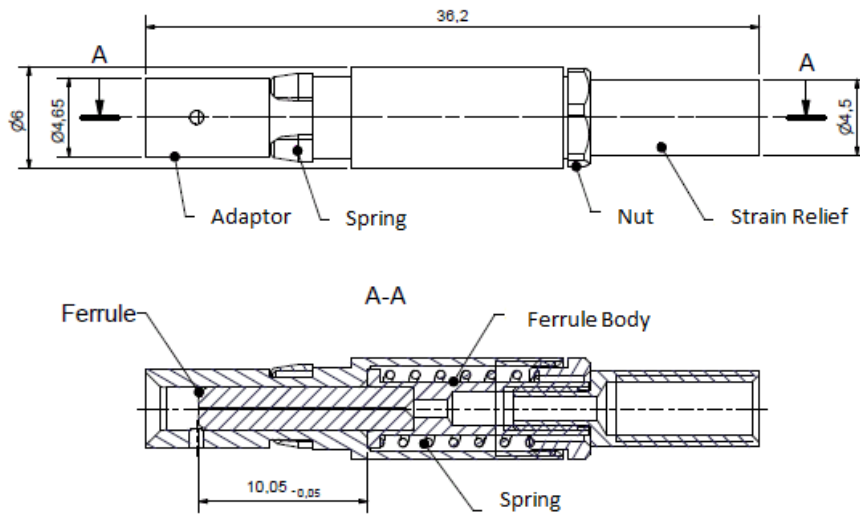


Fiber Optic Contact  
FOR CONNECTOR ACC. DIN  
EN 60603-2, TYPE M

**98 IK 601-127**



All dimensions are in mm, tolerances according to ISO 2768 m-H

**Description**

According to

DIN EN 60603-2 Type M

Multimode fiber optic contacts for use in mixed connectors. In combination with Rosenberger electrical contacts, hybrid connectors can be build up. The contacts are installed in the cavities by a snap-in mechanism. An extraction tool is required for removal.

**Materials and plating**

**Connector parts**

Connector Body  
Ferrule

**Material**

Metal(ARCAP)  
Ceramic

**Fiber Type**

**Multimode**

50/125 $\mu$ m  
62.5/125 $\mu$ m

**Cable Type**

$\varnothing$  0.9mm buffered fiber(with adaptor)  
 $\varnothing$  2.9mm simplex cable

**Optical data**

Insertion loss

<0.40 dB

- Dependent on housing system -

Fiber Optic Contact FOR CONNECTOR ACC. DIN EN 60603-2, TYPE M

**98 IK 601-127**

**Mechanical data**

Mating cycles 500

- *Dependent on housing system* -

**Environmental data**

Temperature range -40°C to +85°C (Operation)  
 -40°C to +85°C (Storage)  
 2002/95/EC (RoHS) compliant

**Packaging**

Rosenberger Standard

While the information has been carefully compiled to the best of our knowledge, nothing is intended as representation or warranty on our part and no statement herein shall be construed as recommendation to infringe existing patents. In the effort to improve our products, we reserve the right to make changes judged to be necessary.

Draft	Date	Approved	Date	Rev.	Engineering change number	Name	Date
Y.Zhang	2015-10-20	S.Schmidt	2015-10-20	01	15-0003	Y.Zhang	2015-10-20
Rosenberger Hochfrequenztechnik GmbH & Co. KG P.O.Box 1260 D-84526 Tittmoning Germany <a href="http://www.rosenberger.de">www.rosenberger.de</a>					Tel.: +49 8684 18-0 Fax: +49 8684 18-499 email: <a href="mailto:info@rosenberger.de">info@rosenberger.de</a>		Page 2 / 2