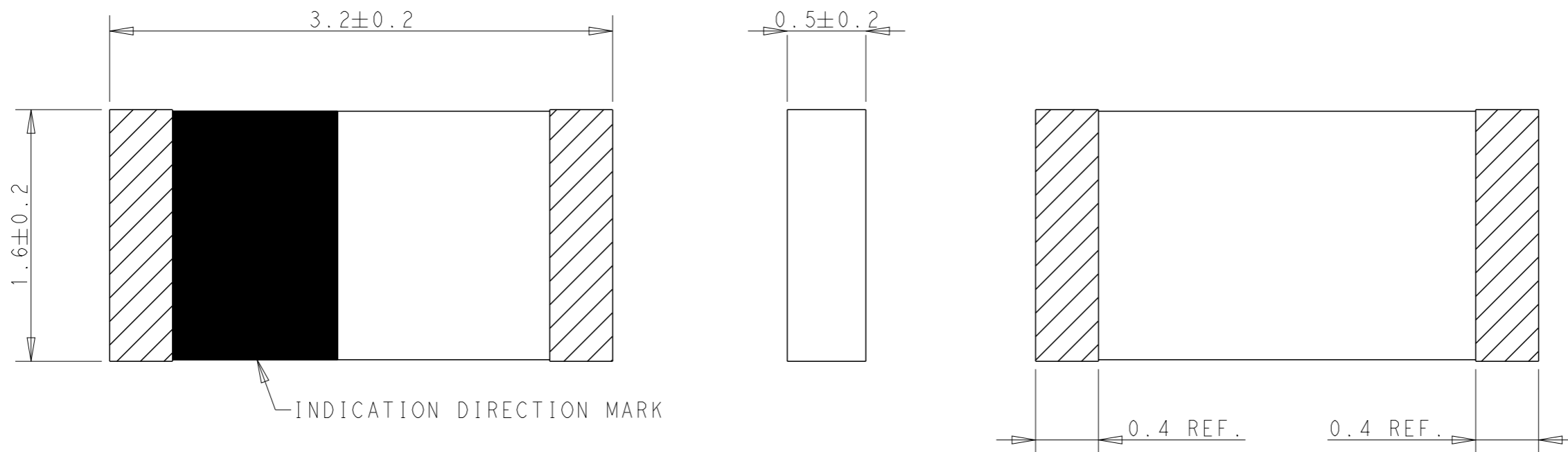
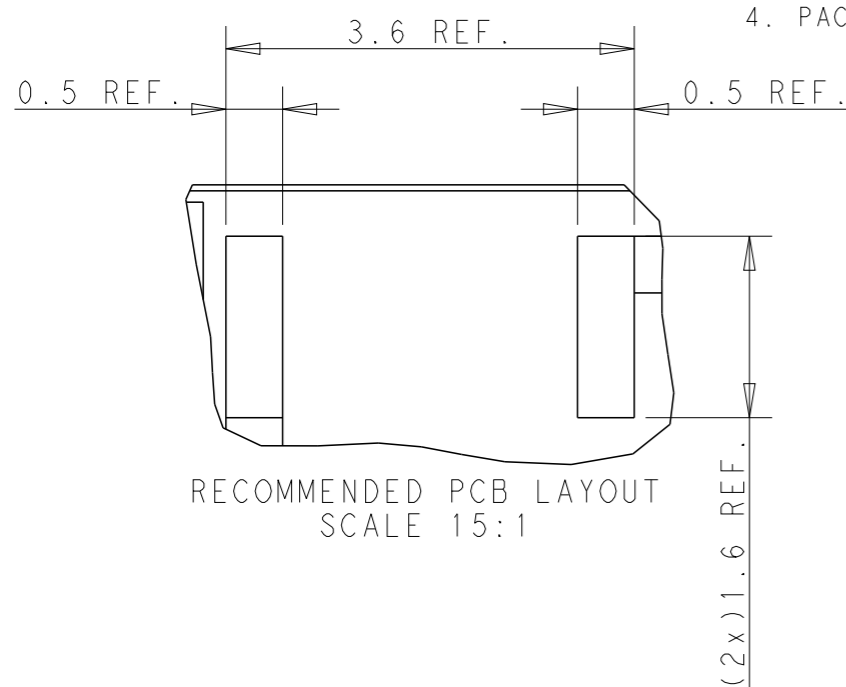


P	LTR	DESCRIPTION	DATE	DWN	APVD
	A	REVISED PER ECN-24-297783	12DEC2024	DW	VK



NOTES: UNLESS OTHERWISE SPECIFIED.

1. MATERIAL : CERAMIC
2. CONSULT TE CONNECTIVITY DATA SHEET : L000950
3. CONTACT TE CONNECTIVITY ENGINEERING PRIOR TO DESIGNIN INTO AN APPLICATION.
4. PACKAGING : TAPE AND REEL PACKAGED, SEE SHEET 2

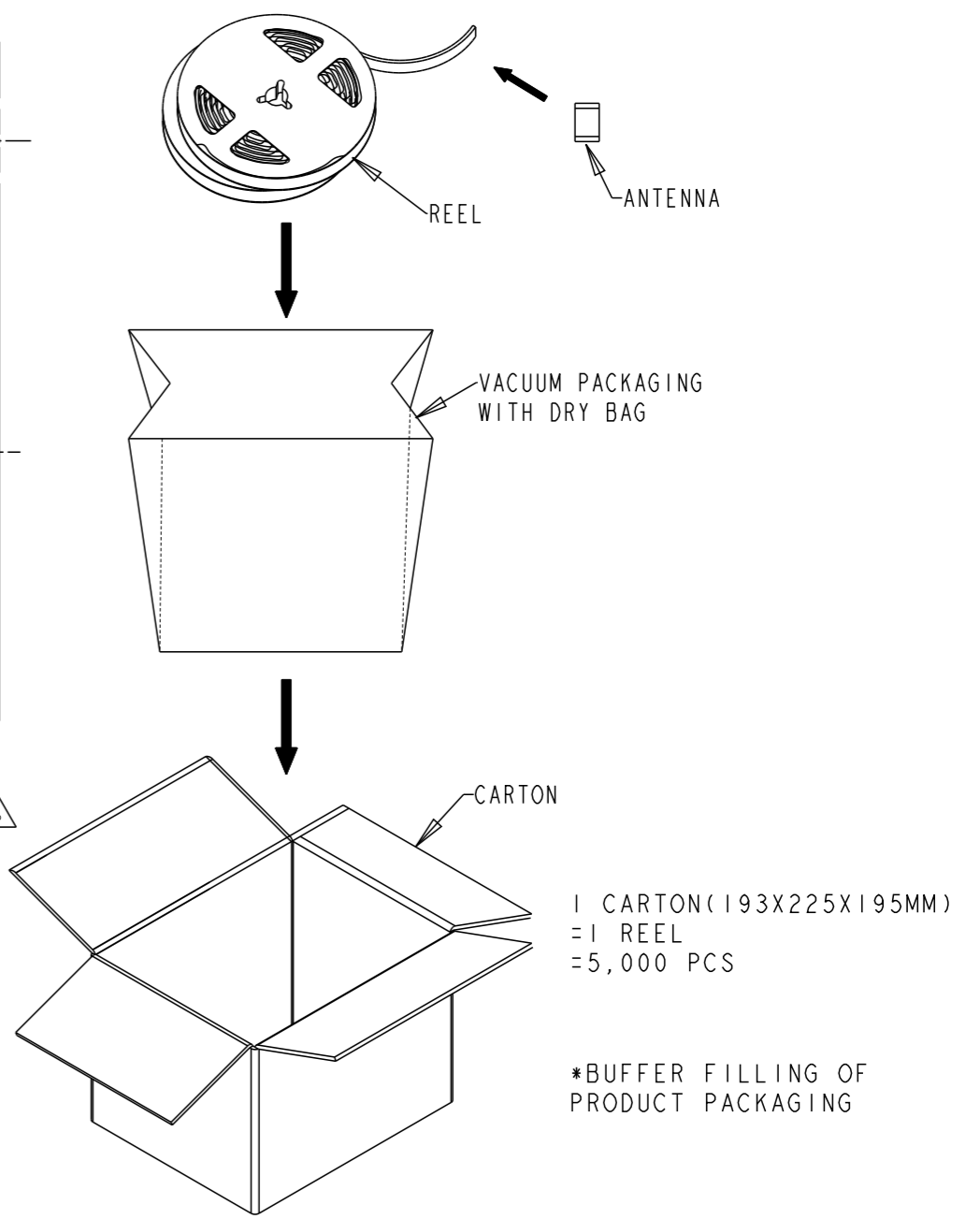
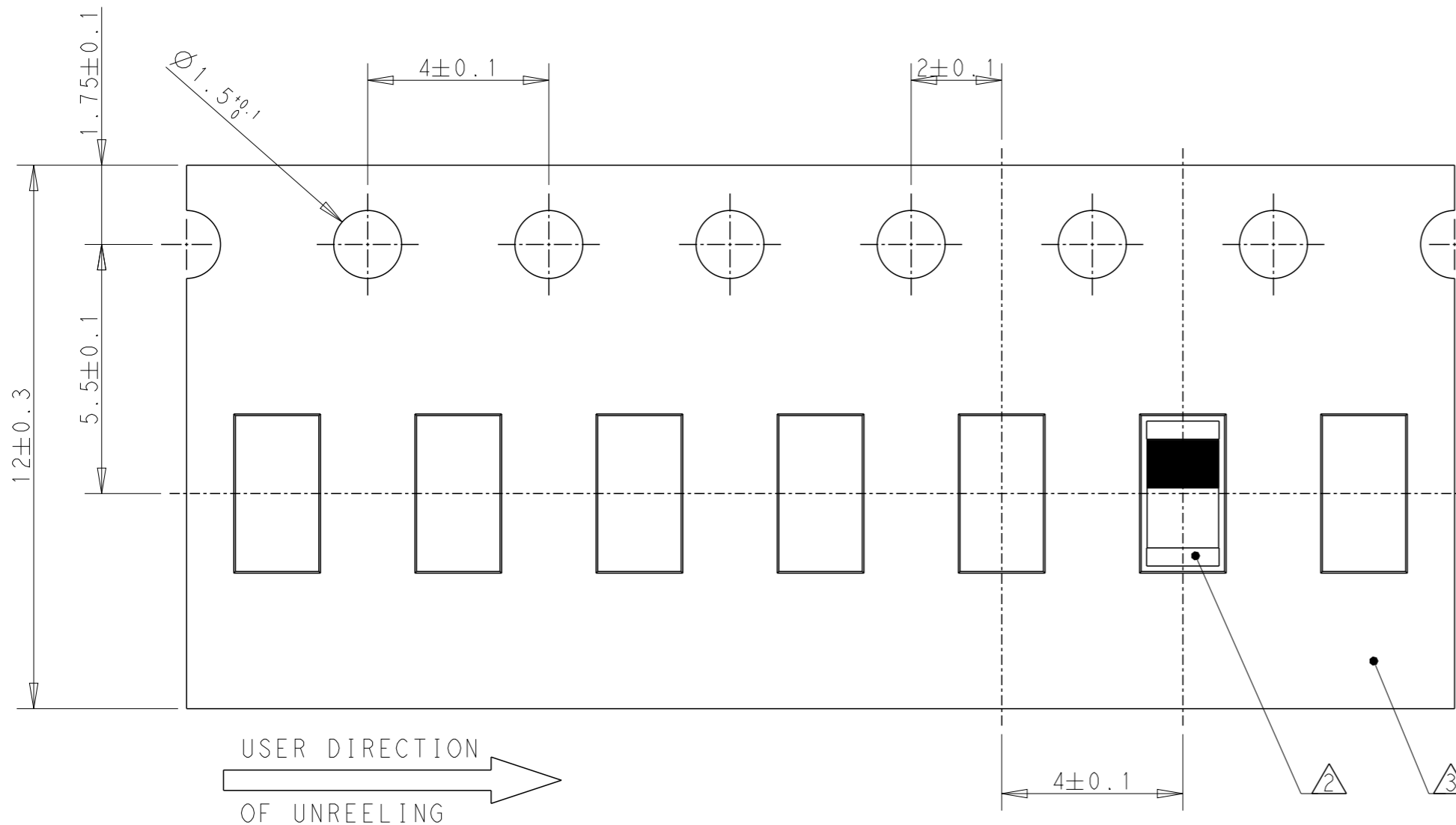


TAPE AND REELED	L000950-01
PACKAGING	PART NUMBER

THIS DRAWING IS A CONTROLLED DOCUMENT.		DWN DW.PARK	28JUN2024	 TE Connectivity NAME Chip ANT, Wi-Fi 6E, 3.2x1.6mm					
DIMENSIONS: mm		CHK SJ.NOH	28JUN2024						
		APVD NG.WEITAT	28JUN2024						
		PRODUCT SPEC 108-160936							
TOLERANCES UNLESS OTHERWISE SPECIFIED:		APPLICATION SPEC -		SIZE	CAGE CODE	DRAWING NO	RESTRICTED TO		
MATERIAL -		FINISH -		A300779		©-L000950	-		
		CUSTOMER DRAWING		SCALE	30:1	SHEET	1 OF 4	REV	A

AS SHOWN L000950-01  
ANTENNA WITH REEL PACKAGING  
REFERENCE ONLY

REVISIONS					
P	LTR	DESCRIPTION	DATE	DWN	APVD
		SEE SHEET 1			



NOTES.

1. UNLESS OTHERWISE SPECIFIED TOLERANCE PER EIA-481-D

2 ORIENT PARTS AS SHOWN.

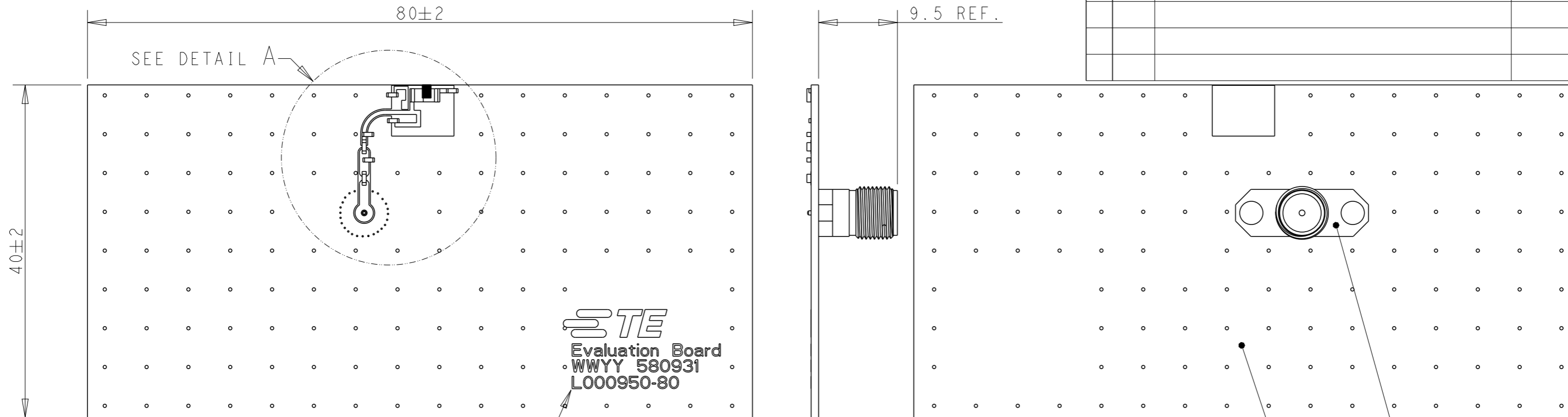
3 MATERIAL : P.S 0.4mm THICKNESS, COLOR : BLACK, CONDUCTIVE  
WHEN ALTERNATIVE MATERIAL (PET, P.P) USE, CONSULT ECO PRIOR TO MANUFACTURER.

4. Q'TY/REEL : 5000 PCS/REEL

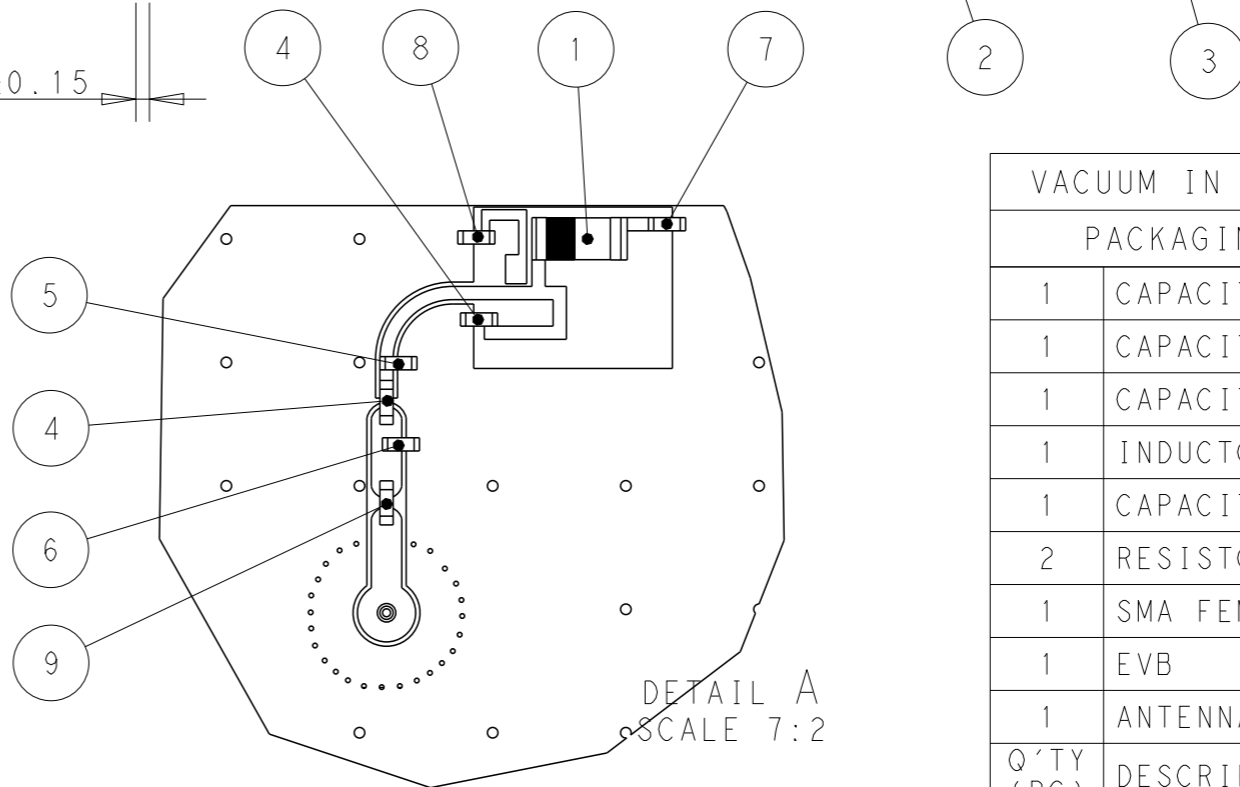
THIS DRAWING IS A CONTROLLED DOCUMENT.		DWN DW.PARK 28JUN2024															
DIMENSIONS: mm		CHK SJ.NOH 28JUN2024															
TOLERANCES UNLESS OTHERWISE SPECIFIED:		APVD NG.WEITAT 28JUN2024	NAME Chip ANT, Wi-Fi 6E, 3.2x1.6mm														
<table border="0"> <tr><td>0 PLC</td><td>±-</td></tr> <tr><td>1 PLC</td><td>±-</td></tr> <tr><td>2 PLC</td><td>±-</td></tr> <tr><td>3 PLC</td><td>±-</td></tr> <tr><td>4 PLC</td><td>±-</td></tr> <tr><td>ANGLES</td><td>±-</td></tr> </table>		0 PLC	±-	1 PLC	±-	2 PLC	±-	3 PLC	±-	4 PLC	±-	ANGLES	±-	PRODUCT SPEC	SIZE A300779		
0 PLC	±-																
1 PLC	±-																
2 PLC	±-																
3 PLC	±-																
4 PLC	±-																
ANGLES	±-																
MATERIAL		APPLICATION SPEC	CAGE CODE	DRAWING NO	RESTRICTED TO												
-		WEIGHT	G=L000950		-												
-		CUSTOMER DRAWING	SCALE	SHEET	REV												
			8:1	2 OF 4	A												

ANTENNA WITH EVB ASS'Y

P	LTR	DESCRIPTION	DATE	DWN	APVD
		SEE SHEET 1			



0.9±0.15



NOTES: UNLESS OTHERWISE SPECIFIED.

- 1. MATERIAL : SEE TABLE.
- 2. FINISH : EVB ASSEMBLY WITH SOLDER PROCESS

3. SILKSCREEN : WHITE EPOXY INK  
 A. TE LOGO, TE P/N  
 B. WORD REV., FOLLOWED BY THE LATEST REVISION, AS SHOWN/  
 C. 4 DIGITS DATE CODE : FIRST 2 DIGITS FOR THE WEEK CODE AND THE 2ND TWO DIGITS FOR THE YEAR CODE.  
 OTHERS : SPECIFIED TO SOURCE CODE NUMBER DIGITS AS REQUIRED.

- 4. CONSULTS TE CONNECTIVITY DATA SHEET L000950
- 5. CONTACT TE CONNECTIVITY ENGINEERING PRIOR TO DESIGNING INTO AN APPLICATION.
- 6. PACKAGING: SECURELY VACUUM PACKAGED IN BULK.

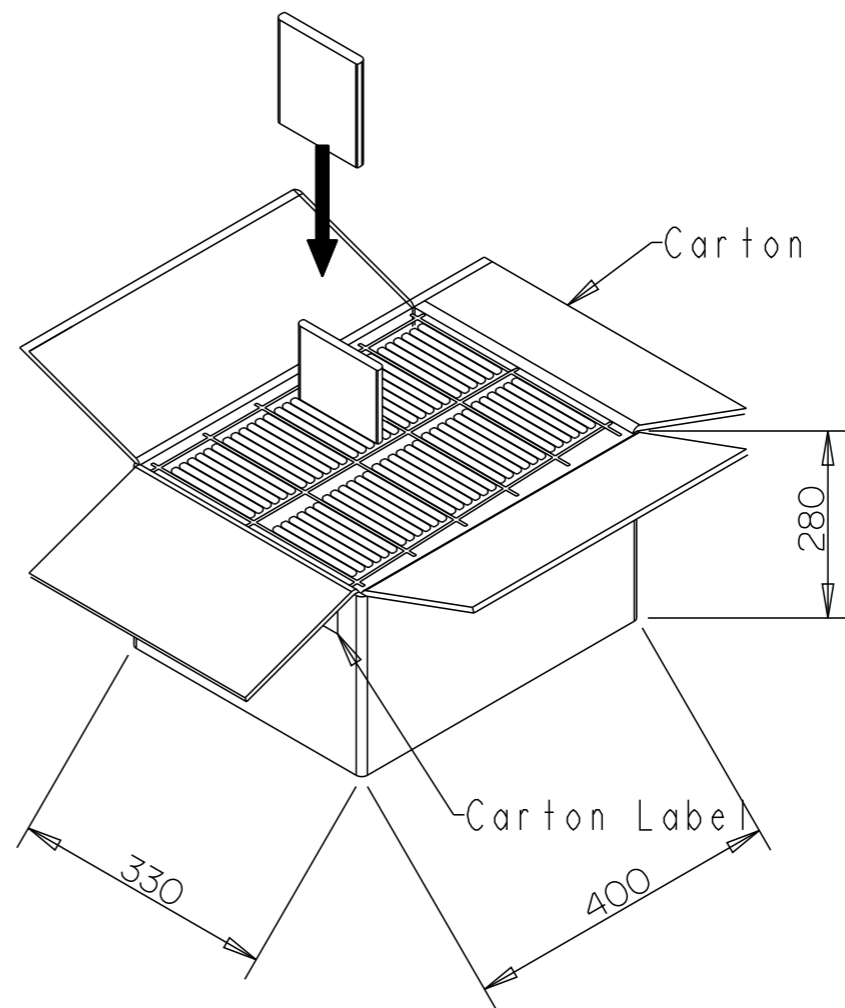
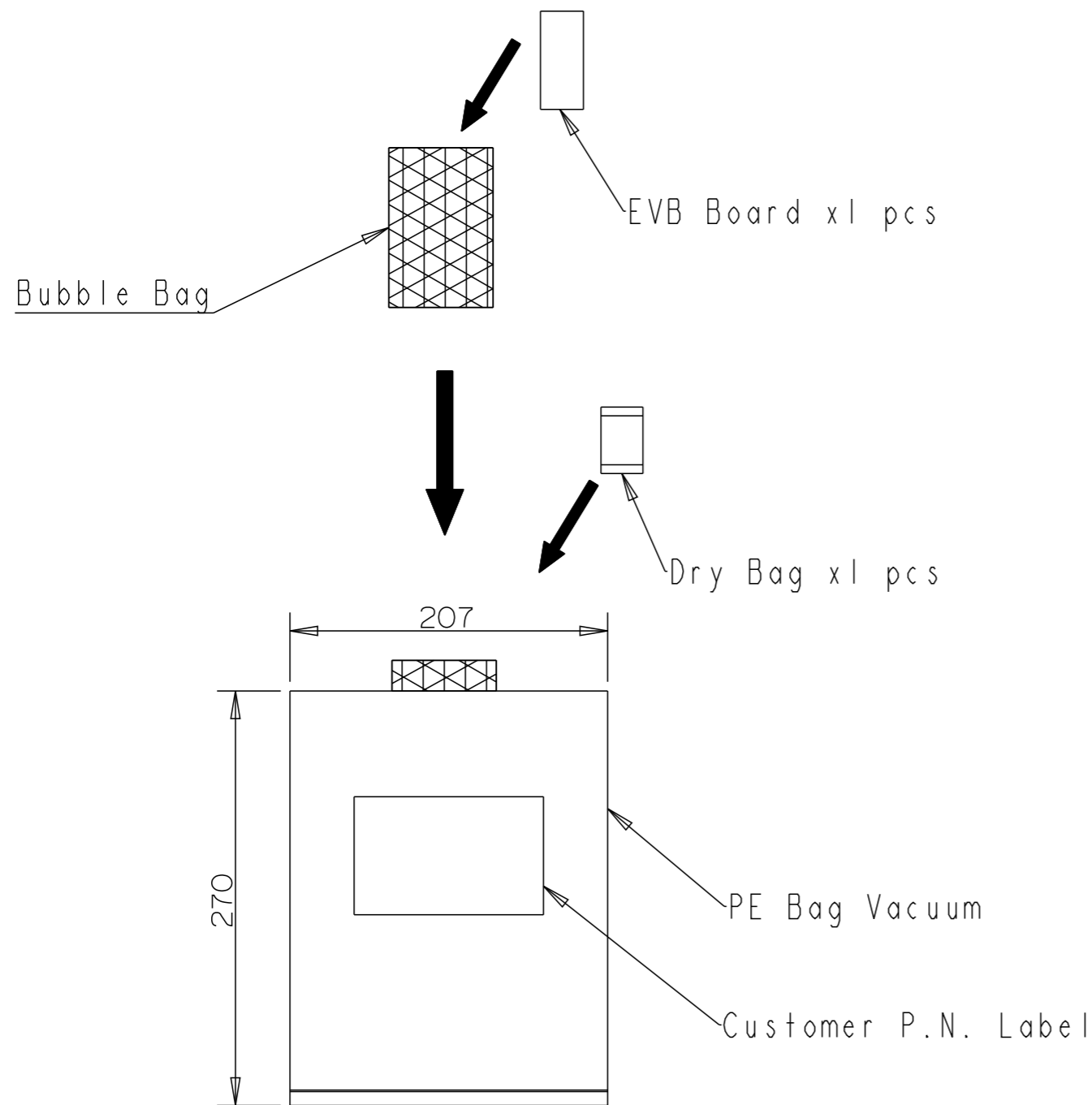
VACUUM IN BULK		L000950-80
PACKAGING		PART NUMBER
1	CAPACITOR(3.3pF),0402	9
1	CAPACITOR(0.2pF),0402	8
1	CAPACITOR(2.2pF),0402	7
1	INDUCTOR(15nH),0402	6
1	CAPACITOR(8.2pF),0402	5
2	RESISTOR(00HM),0402	4
1	SMA FEMALE CONN.	3
1	EVB	2
1	ANTENNA	1
Q'TY (PC)	DESCRIPTION	ITEM

THIS DRAWING IS A CONTROLLED DOCUMENT.		DWN DW.PARK 28JUN2024	TE Connectivity NAME Chip ANT, Wi-Fi 6E, 3.2x1.6mm	
DIMENSIONS: mm		CHK SJ.NOH 28JUN2024		
TOLERANCES UNLESS OTHERWISE SPECIFIED:		APVD NG.WEITAT 28JUN2024		
0 PLC ±- 1 PLC ±- 2 PLC ±- 3 PLC ±- 4 PLC ±- ANGLES ±-		PRODUCT SPEC -		
MATERIAL -		FINISH -	APPLICATION SPEC -	RESTRICTED TO -
-		WEIGHT -	SIZE A3	CAGE CODE 00779
-		CUSTOMER DRAWING	DRAWING NO. C=L000950	SCALE 2:1
			SHEET 3 OF 4	REV A

REVISIONS

P	LTR	DESCRIPTION	DATE	DWN	APVD
		SEE SHEET 1			


PACKAGING SPECIFICATIONS FOR REFERENCE



1 PE Bag = 1 pc EVB Board

1 Carton = 60 PE Bags = 60 pcs EVB Board

\*Buffer Filling Of Product Packaging

THIS DRAWING IS A CONTROLLED DOCUMENT.		DWN DW.PARK	28JUN2024	 TE Connectivity NAME Chip ANT, Wi-Fi 6E, 3.2x1.6mm	
DIMENSIONS: mm		CHK SJ.NOH	28JUN2024		
TOLERANCES UNLESS OTHERWISE SPECIFIED:		APVD NG.WEITAT	28JUN2024		
0 PLC ±- 1 PLC ±- 2 PLC ±- 3 PLC ±- 4 PLC ±- ANGLES ±-		PRODUCT SPEC			
MATERIAL		FINISH		APPLICATION SPEC	
-		-		-	
-		-		WEIGHT	
-		-		-	
CUSTOMER DRAWING				SIZE A3	CAGE CODE 00779
				DRAWING NO C=L000950	RESTRICTED TO
				SCALE 1:1	SHEET 4 OF 4
				REV A	