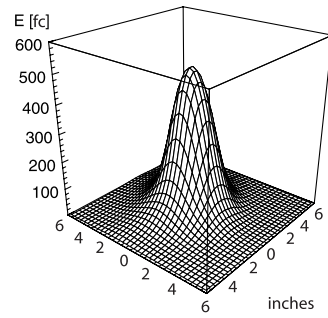
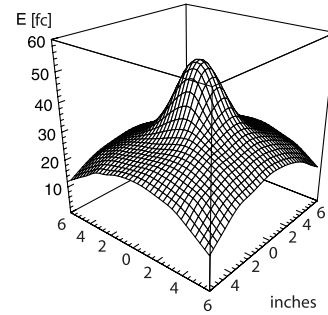
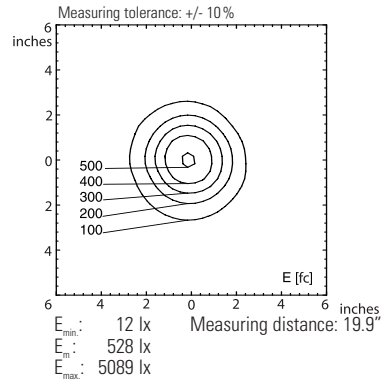


# Technical Data:

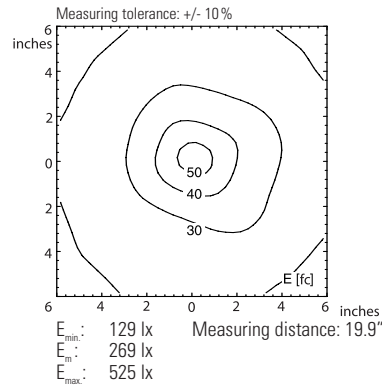
## LIGHT DISTRIBUTIONS



Light type LED Luxeon III  
Operating Voltage 700 mA



Light type LED Luxeon III  
Operating Voltage 700 mA



### ABL-1 and ABLTL-1 Overview

**Head-Only measurements:**  
Overall: approx. Ø 1.14" x 3.7"  
Without fastening unit: approx. Ø 1.14" x 2.79"  
Connection cable: approx. 16' 5"

**Gooseneck measurements:**  
Overall: approx. Ø 1.14" x 29.72"

**Electrical information:**  
Operation using Waldmann operating device type A or VLM operating device  
Operating voltage: 3.7V  
Operating current: 700 mA  
Power: approx. 2.6W  
Luminous flux: 60 lm  
Service life:\* approx. 50,000 h  
Operation using Waldmann operating device type B  
Operating voltage: 3.9V  
Operating current: 1000 mA  
Power: approx. 4W  
Luminous flux: 85 lm  
Service life:\*\* approx. 20,000 h

**Additional variants:**  
If required, this product range will be expanded by additional variants. Therefore, differing technical data is possible. Please call **800-634-0007** for information.

\* Luminous flux reduction to approx. 70%  
\*\* Luminous flux reduction to approx. 50%

| Product         | Description                             | Part Number |
|-----------------|---|-------------|
| ABL-1 Head Only | 1x2W, 6° spot, IP67                     | 112-353-000 |
|                 | Power Supply, 1x10W, 95-240V, 50/60Hz   | 209-585-019 |
| ABL-1 Head Only | 1x2W, 6° spot, IP67                     | 112-353-000 |
|                 | Power Supply, 24V AC/DC, 50/60Hz, 0.7 A | 209-582-019 |
| ABL-1 Head Only | 1x2W, 6° spot, IP67                     | 112-353-000 |
|                 | Power Supply, 24V AC/DC, 50/60Hz, 1.0 A | 209-582-029 |
| ABL-1 Head Only | 1x2W, 25° flood, IP67                   | 112-353-001 |
|                 | Power Supply, 1x10W, 95-240V, 50/60Hz   | 209-585-019 |
| ABLTL-1         | Gooseneck, 6° spot                      | 112-385-000 |
| ABLTL-1         | Gooseneck, 25° flood                    | 112-385-001 |
| ABLTL-1         | Gooseneck w/detachable head, 6° spot    | 112-373-000 |

## ACCESSORIES/PART NUMBER

6° Spot 112 353 000  
Operating device VLM 209 585 019  
Type A 209 582 019



25° Flood 112 353 001  
Operating device VLM 209 585 019  
Type A 209 582 019



### Operating Device for 24 V AC/DC

**Operating device Type A:**  
Input voltage: 19.2 – 28.8V  
Frequency range: 50/60Hz/DC  
Operating current: 700 mA

**Assembly:**  
Housing for mounting on top hat rail  
Wiring length  
Operating device – light module max. 32.8'  
Max. 3 light modules connectable (in series)

More lumens with shorter lamp life  
50,000 hr. lamp life

**Operating device Type B:**  
Input voltage: 19.2 – 28.8V  
Frequency range: 50/60Hz/DC  
Operating current: 1000 mA

**Assembly:**  
Housing for mounting on rail  
Wiring length  
Operating device – light module max. 32.8'  
Max. 3 light modules connectable (in series)



## Waldmann Lighting

9 West Century Drive, Wheeling, IL 60090  
**800.634.0007**  
847.520.1060 Fax: 847.520.1730  
www.waldmannlighting.com  
E-mail: waldmann@waldmannlighting.com

# LEDs: SEE YOUR WORK IN A WHOLE NEW LIGHT



## Waldmann Lighting

# Powerful, maintenance-free illumination for hostile industrial environments



## NEW TECHNOLOGY: NEW DIMENSION

Long-lived industrial LEDs are today's solution for precisely illuminating your industrial applications with ease. Completely sealed with a corrosion-resistant coating, LEDs are designed to out-perform all others in even the most extreme machining conditions. Minimal in size, yet maximum in output, LEDs offer 50,000 hours of maintenance-free life and produce virtually no heat.

Three versions are available including the 1.14" x 2.72" head-only ABLL-1, a strong gooseneck style for complete adjustability, and a gooseneck with detachable head for inspection of hard-to-reach areas. Whichever model you choose, each is backed by our 10-year warranty and provides IP67 waterproof protection...in even the most extreme conditions!

## Features:

- Aluminum housing with a corrosion-resistant coating is ideal for water-based fluids and coolants
- Maintenance-free
- 50,000 hour life at 700 mA
- Easy assembly
- Cool-to-the-touch
- Protective ESD diode on LED circuit board eliminates static charging and polarity reversal
- Choice of two operating devices are offered from 24V low voltage AC/DC to 95-240V AC range
- Eliminates "stroboscopic effect" by running on direct current
- Rotational head pivots 40°
- Choice of a 6° spot or 25° flood beam for a variety of applications
- IP67 waterproof protected and 10-year warranted

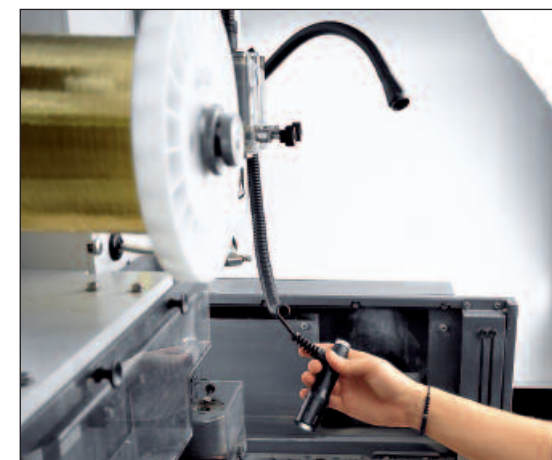


**Right:** Ball joint for varied configuration

**Far Right:** Pivots 40° with ease



## LED Machine Luminaire:



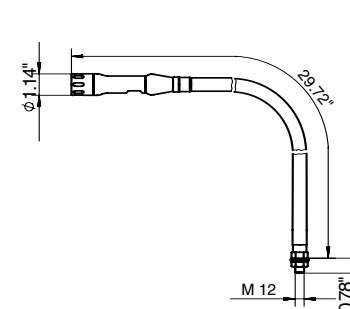
**Top:** The ABLL-1 mounts directly to the work area

**Bottom:** Gooseneck version features detachable head for inspection work

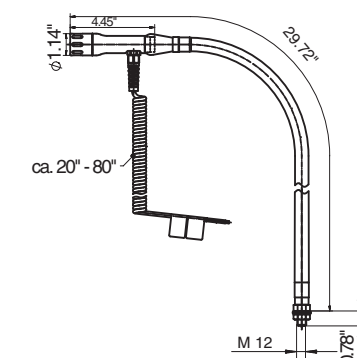


## Technical Drawings:

Gooseneck Arm



Gooseneck Arm with Detachable Head



Head Only Version

