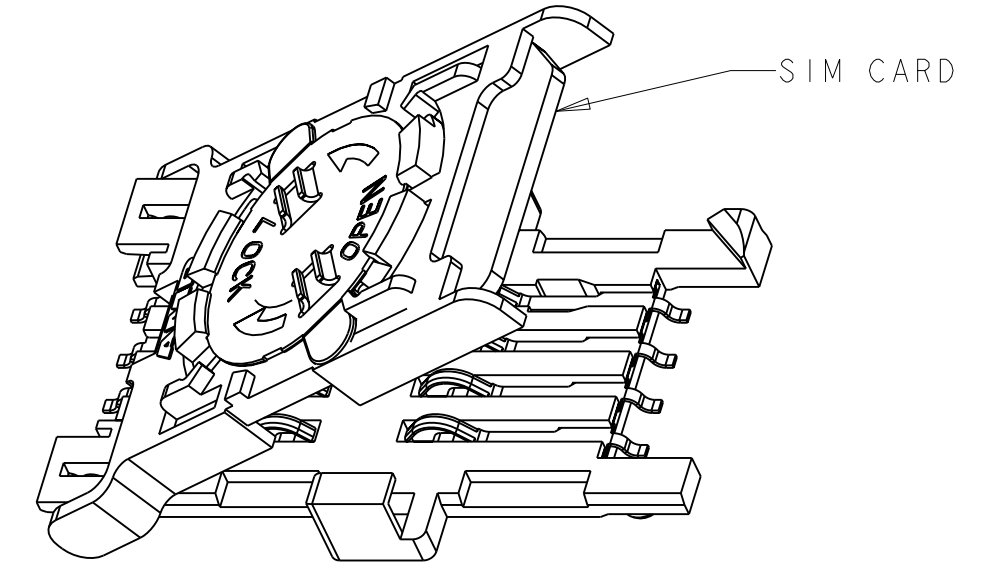
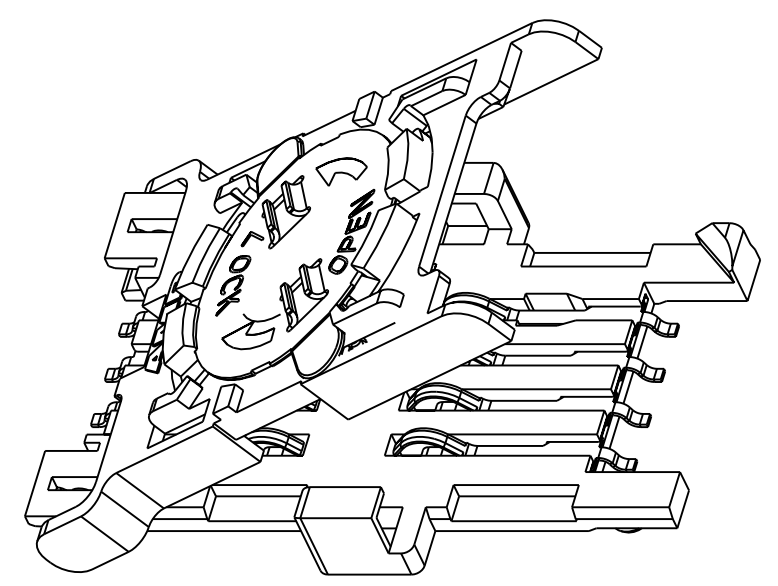
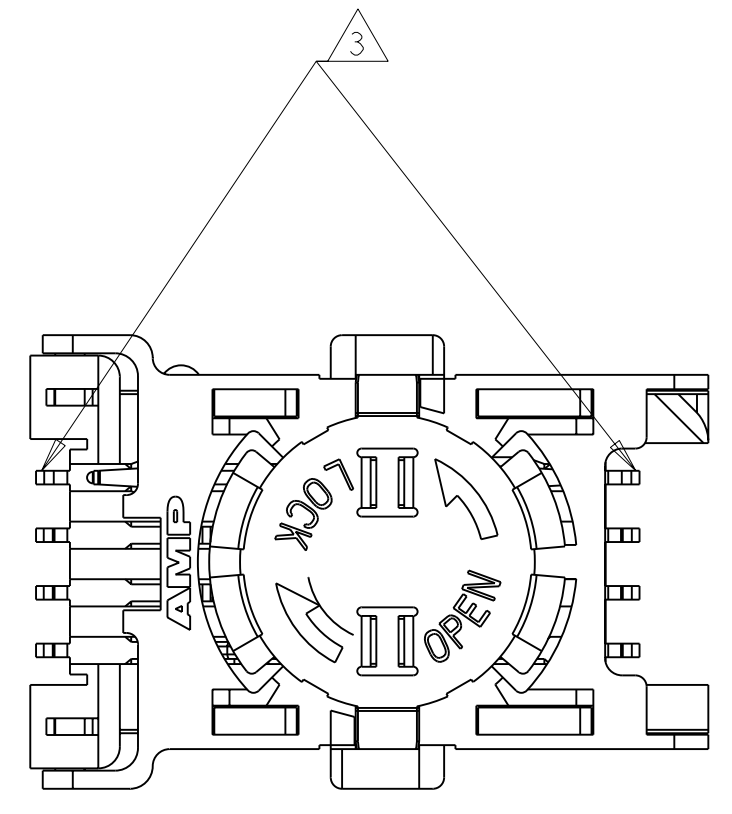


THIS DRAWING IS UNPUBLISHED.  
 RELEASED FOR PUBLICATION  
 BY AMP INCORPORATED. ALL RIGHTS RESERVED.

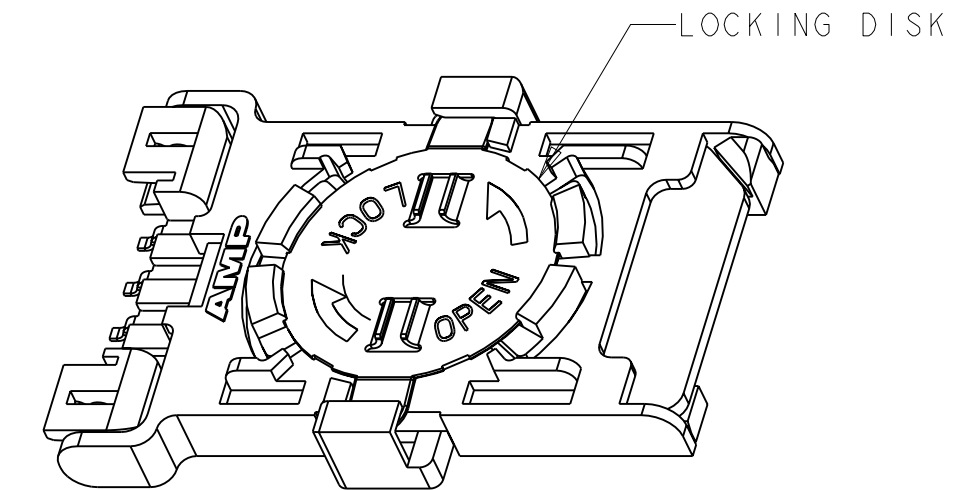
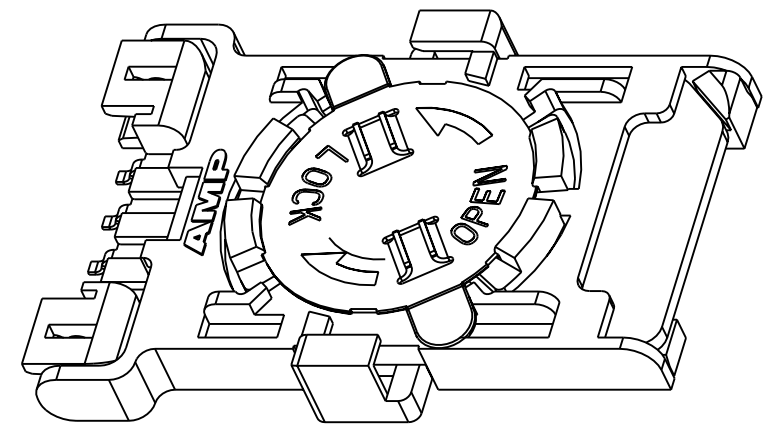
LOC		DIST		REVISIONS			
P	LTR	DESCRIPTION	DATE	DWN	APVD		
0		RELEASED PER EC 0513-0027-05	01JUN05	JG	DG		

- ① HOUSING: THERMOPLASTIC, CONTACTS: PHOSPHOR BRONZE, LOCKING DISK: STAINLESS STEEL.
- ② CONTACTS: GOLD PLATE ON MATING SURFACE, TIN ON SOLDER TAIL, ALL OVER NICKEL UNDERPLATE.
- ③ CARD DETECTOR SWITCH CONTACTS IF APPLICABLE.
- ④ DATUMS AND DIMENSIONS ESTABLISHED BY CUSTOMER.



CONNECTOR SHOWN OPEN WITH HINGED COVER AND LOCKING MECHANISM

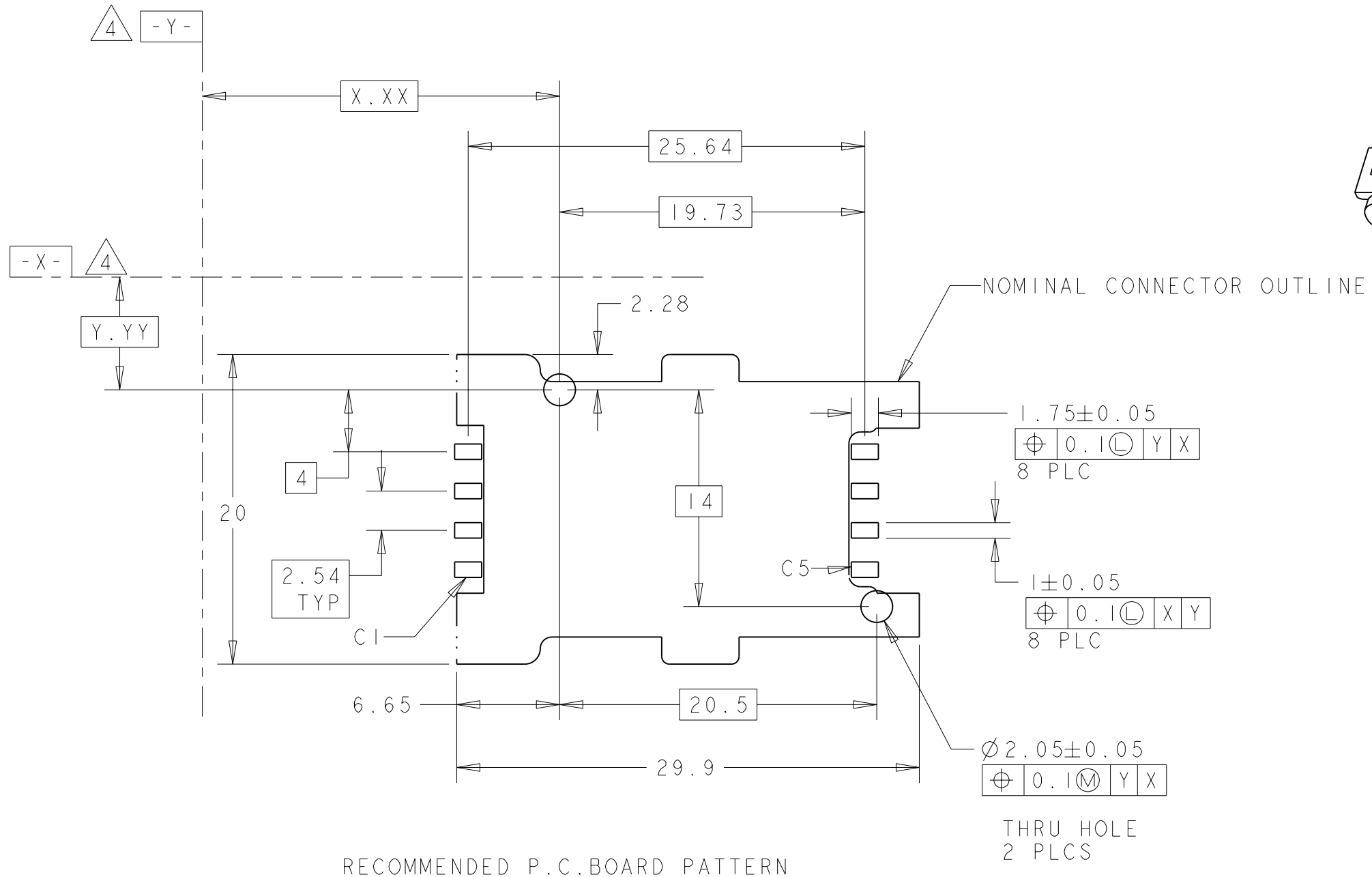
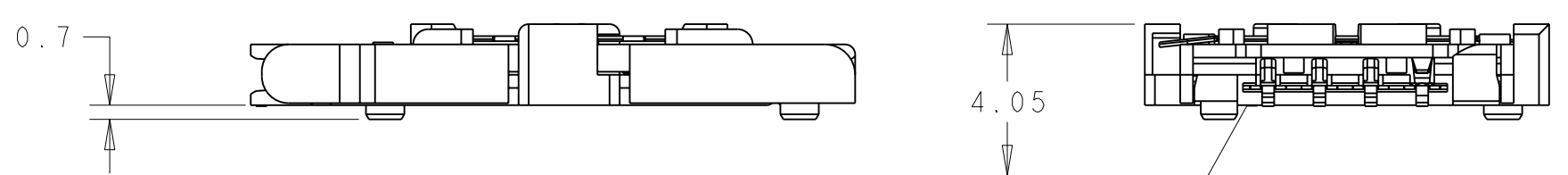
STEP 1  
SLIDE SIM CARD INTO LID



STEP 2  
ROTATE LID DOWN TO HORIZONTAL POSITION

STEP 3  
ROTATE LOCKING DISK CLOCKWISE TO SECURE SIM CARD IN READABLE POSITION

TO REMOVE CARD, ROTATE LOCKING DISK COUNTER CLOCKWISE, SIM CARD WILL THEN BE ACCESSIBLE AS SEEN IN STEP 1.



RECOMMENDED P.C. BOARD PATTERN

8	5145299-2
6	5145299-1
POSITIONS	PART NUMBER

THIS DRAWING IS A CONTROLLED DOCUMENT FOR AMP INCORPORATED. IT IS SUBJECT TO CHANGE AND THE CONTROLLING ENGINEERING ORGANIZATION SHOULD BE CONTACTED FOR THE LATEST REVISION.		DWN J.GERACE 01JUN05	Tyco Electronics Harrisburg, PA 17105-3608
DIMENSIONS: mm		CHR D.GORENC 01JUN05	
TOLERANCES UNLESS OTHERWISE SPECIFIED:		APVD M.WALMSLEY 01JUN05	
0 PLC ± 1 PLC ± 2 PLC ± 3 PLC ± 4 PLC ± ANGLES ± FINISH		NAME SIM/SAM CONNECTOR WITH LID, 8 POSN OR 6 POSN WITH SWITCH, SURFACE MOUNT	
MATERIAL ①	FINISH ②	PRODUCT SPEC -	SIZE A2
CUSTOMER DRAWING		APPLICATION SPEC -	CAGE CODE 00779
		WEIGHT -	DRAWING NO C=5145299
		SCALE 3:1	SHEET 1 OF 1
			REV 0