

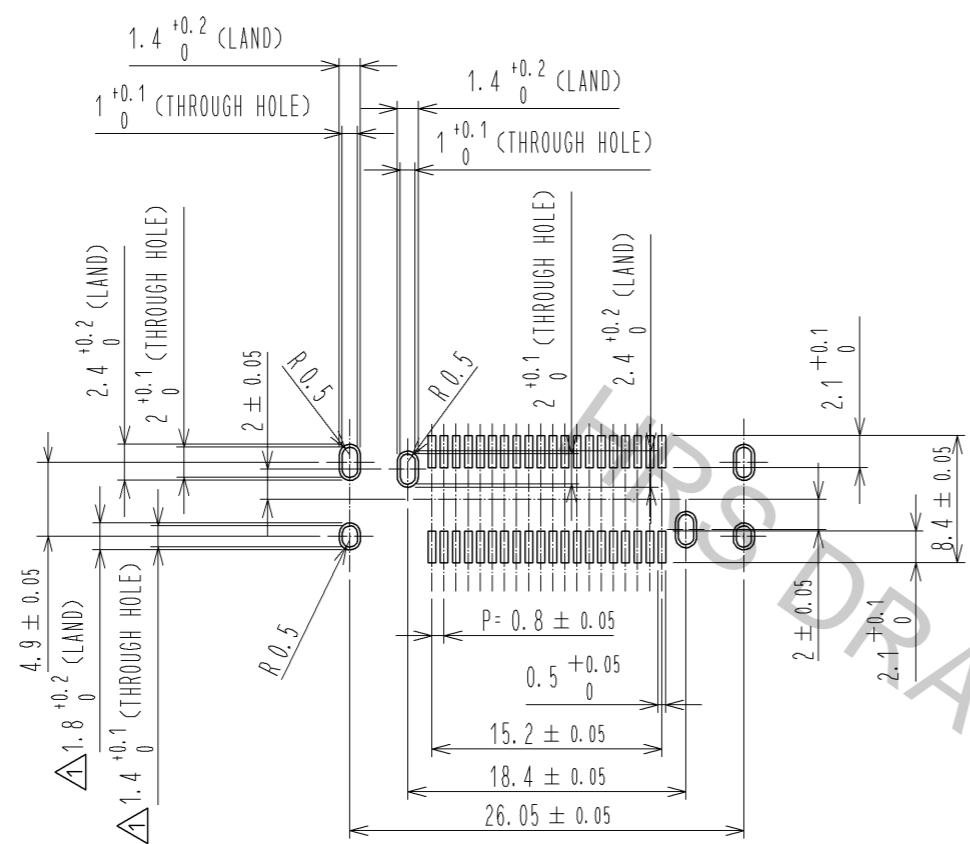
- NOTE 1 LEAD CO-PLANARITY IS 0.1mm MAX.
- ② CONTACTS ARE 3 STEPS SEQUENTIAL. (MF CONTACT A=>SIGNAL CONTACT=>MF CONTACT B) WHEN USING THIS SEQUENTIAL STRUCTURE, PLEASE AVOID ANGLED INSERTION.
- ③ MF CONTACT A AND MF CONTACT B CAN BE USED AS POWER SUPPLY CONTACT. (3A/PIN MAX)
- ④ IT SHOWS THE VACUUM PICKUP AREA. (SEE PAGE 2) REMOVE THE MYLAR TAPE BEFORE MATING CONNECTORS.
- ⑤ THIS IS PACKAGED IN TRAY. (60pcs/TRAY)
- ⑥ BLEMISH AND HIT MARK CAN BE OCCURED THROUGH OUT THE MANUFACTURING PROCESS WHICH DOESN' T AFFECT QUALITY LEVEL.
- ⑦ THE DIMENSIONS IN PARENTHESES ARE FOR REFERENCES.

| | | | | | |
|-----|-----------------|---|-----|--------------|---|
| 3 | PHOSPHOR BRONZE | CONTACT AREA:GOLD 0.1 μm LEAD AREA:GOLD 0.03 μm UNDER PLATING:NICKEL 1.3 μm | 5 | COPPER ALLOY | CONTACT AREA:GOLD 0.1 μm LEAD AREA:TIN-PLATING 1 μm UNDER PLATING:NICKEL 1.3 μm |
| 2 | POLYAMIDE | BLACK UL94V-0 | 4 | COPPER ALLOY | CONTACT AREA:GOLD 0.1 μm LEAD AREA:TIN-PLATING 1 μm UNDER PLATING:NICKEL 1.3 μm |
| 1 | POLYAMIDE | BLACK UL94V-0 | | | |
| NO. | MATERIAL | FINISH . REMARKS | NO. | MATERIAL | FINISH . REMARKS |

| | | | | | | | | | | | | |
|------------------------|----|----------|-------|-------------|---|--------------------------|----------|----------|---------|--------------|------|----------|
| UNITS | mm | SCALE | 2 : 1 | COUNT | 4 | DESCRIPTION OF REVISIONS | DESIGNED | TH. SANO | CHECKED | KI. HIROKAWA | DATE | 11.07.21 |
| APPROVED : HS. OKAWA | | 11.03.18 | | DRAWING NO. | | EDC3-334386-00 | | | | | | |
| CHECKED : KI. HIROKAWA | | 11.03.18 | | PART NO. | | FX18-40S-0.8SV15 | | | | | | |
| DESIGNED : TH. SANO | | 11.03.18 | | CODE NO. | | CL579-0026-3-00 | | | | | | |
| DRAWN : TH. SANO | | 11.03.18 | | | | | | | | | | |

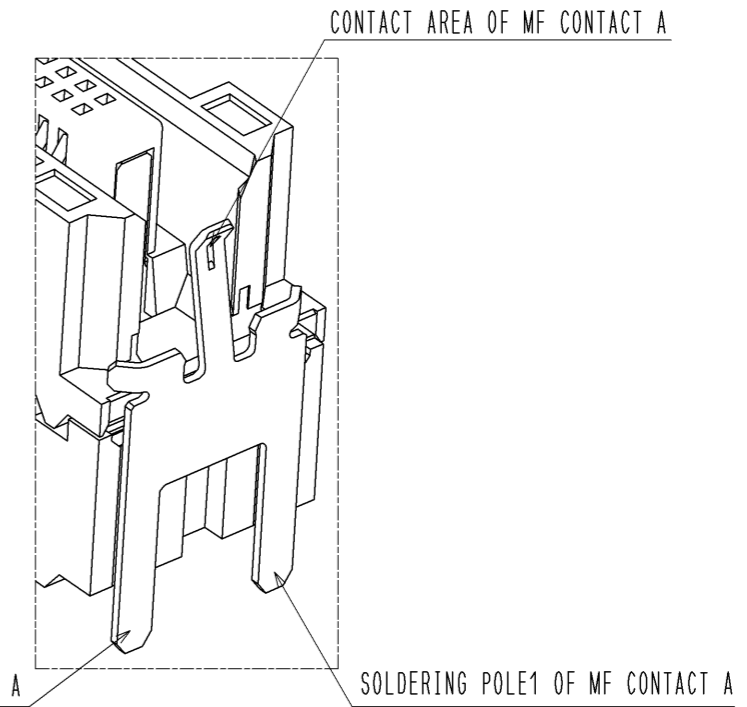
Mar.1.2016 Copyright 2016 HIROSE ELECTRIC CO., LTD. All Rights Reserved.

RECOMMENDED LAND PATTERN DIMENSION OF PCB(2:1)
(PCB THICKNESS:t=1.6mm METAL MASK THICKNESS:t=0.12mm)

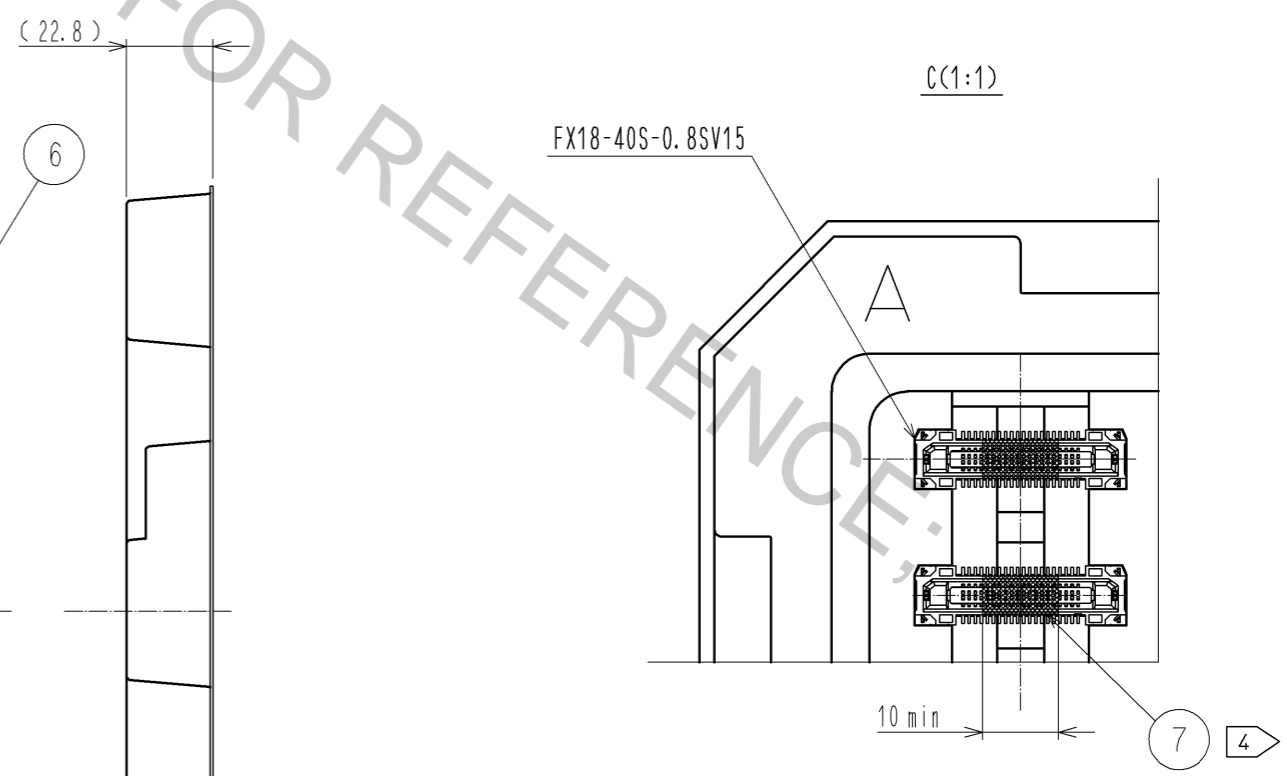
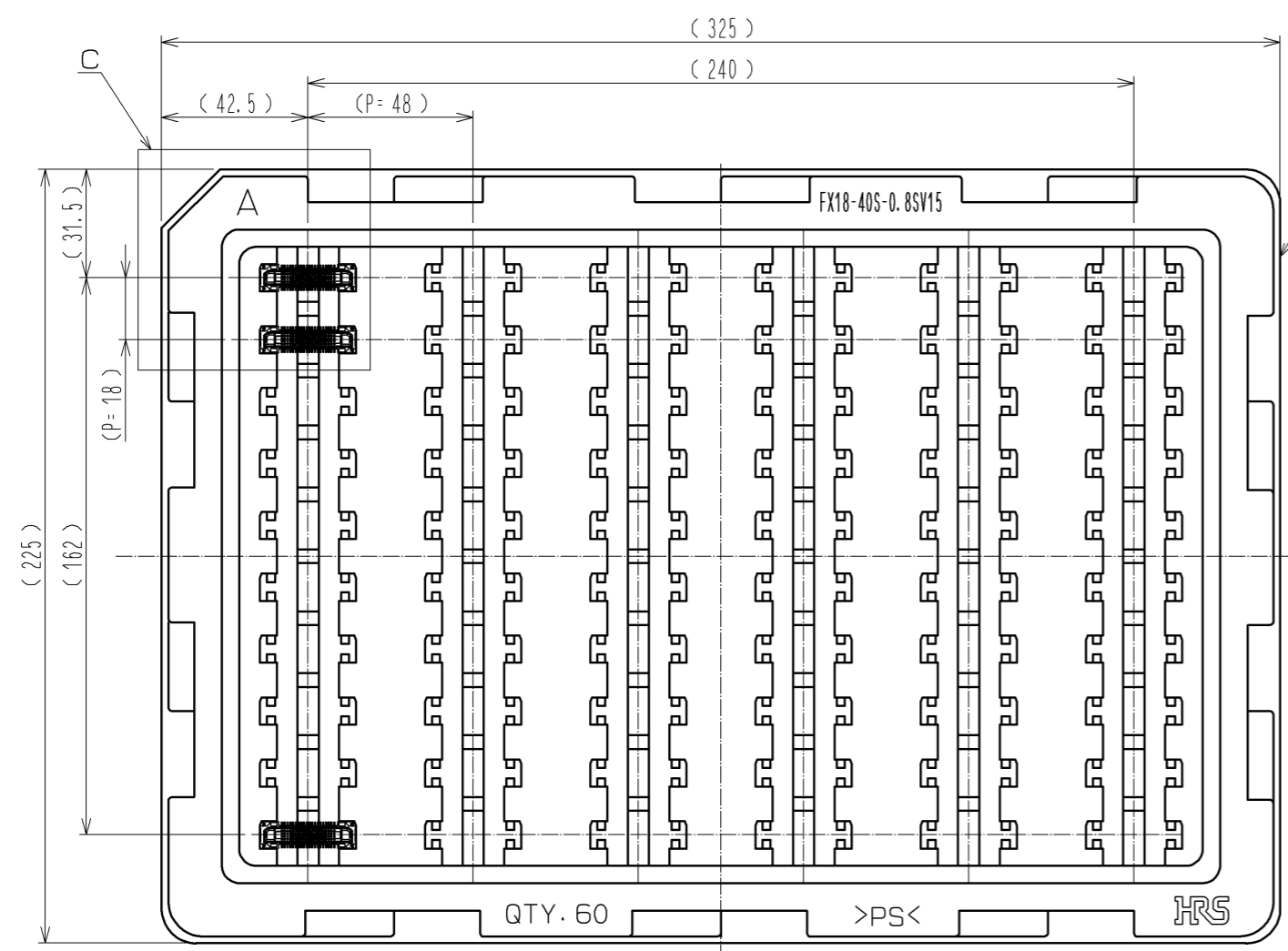


5 DRAWING FOR PACKING(1:2)

8 CONFIGURATION OF MF CONTACT A



NOTE 8 SOLDERING LEAD OF MF CONTACT A SPLITS INTO TWO POLES.
BE SURE TO CONNECT TO THE SAME CIRCUIT.



| | | | |
|------------|-------------|------------------|-----|
| HRS | DRAWING NO. | EDC3-334386-00 | 2/2 |
| | PART NO. | FX18-40S-0.8SV15 | |
| | CODE NO. | CL579-0026-3-00 | |
| | | | |