

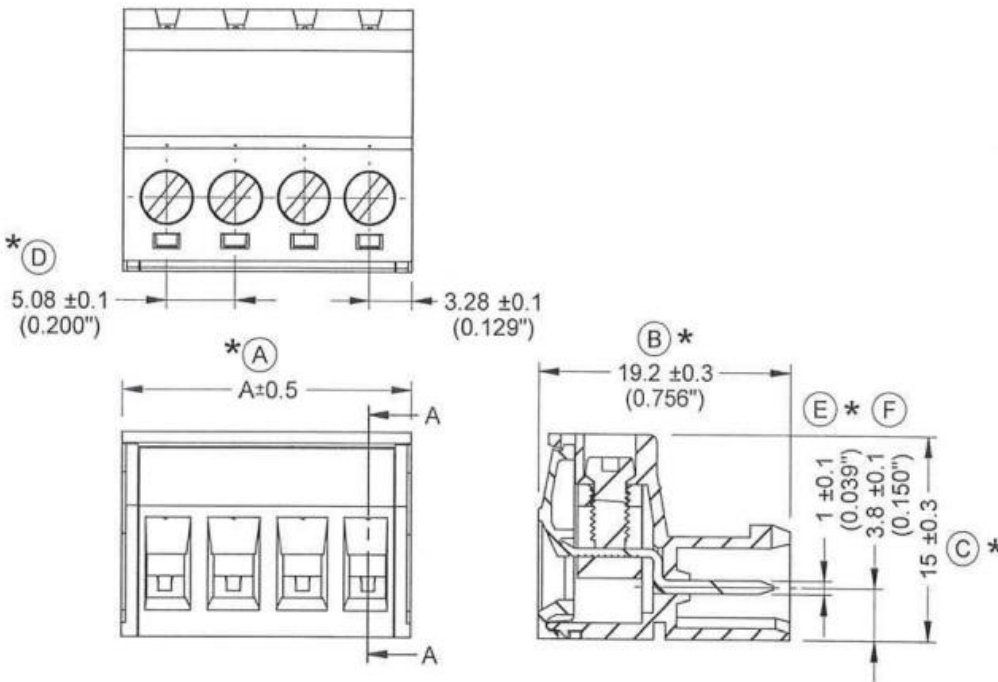
# Datasheet

## 3 way 5.08mm terminal block Plug

RS Stock number 790-0783



### Dimensions: (mm)





## Specifications

- Current Rating: 12Amp AC300V
- Insulation withstands volts: AC2000V min
- Insulation resistance: > 2000 M Ω DC500V
- Operation Temperature: -40°C to +105°C
- Wire Strip Length: 7mm
- Wire Range: 12~30 AWG
- Screw Torque: 0.6 N-m

## Material

- Insulating Body: Polyamide 66 (UL94V-0)
- Side Cover: Polyamide 66 (UL94V-0)
- Terminal: Brass
- Screw: Steel
- Cage Clamp : Brass

## Finish

- Insulating Body: Green
- Terminal: Tin Plated
- Cage Clamp: Brass
- Screw: Steel
  
- RoHS Compliant

Pitch:5.08mm (0.200inch)					
Poles	A(mm)	A(in)	Poles	A(mm)	A(in)
2	11.64	0.458	15	77.68	3.058
3	16.72	0.658	16	82.76	3.258
4	21.80	0.858			
5	26.88	1.058			
6	31.96	1.258			
7	37.04	1.458			
8	42.12	1.658			
9	47.20	1.858			
10	52.28	2.058			
11	57.36	2.258			
12	62.44	2.458			
13	67.52	2.658			
14	72.60	2.858			