

For solutions up to 16 A

- Battery backup
- Weekly and daily programme
- Easy programming
- Compatible fitting with mechanical universal time switches tactic
- Only flush mounting

Universal time switches

A



Menu-led programming with flexible and fixed programmes

- 20 Memory spaces
- Manual switch-over to daylight saving time

1 Channel	tactic 371.2 plus
2 Channels	tactic 372.1 plus

B



Text programming

- 50 Memory spaces
- Automatic switch-over to daylight saving time

1 Channel	tactic 571.2 plus
2 Channels	tactic 572.1 plus

C

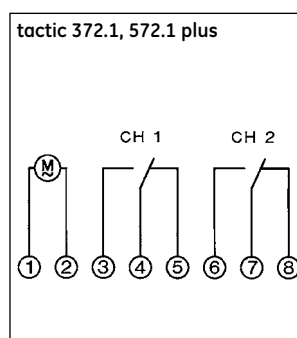
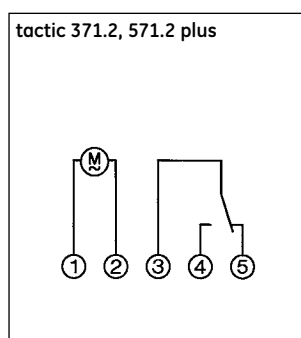
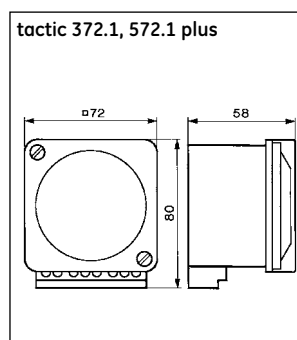
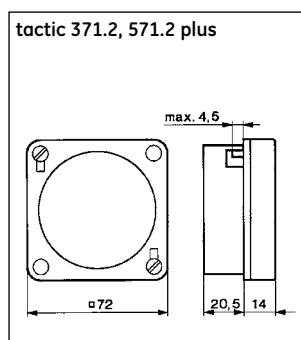
D

Technical data

	tactic 371.2 plus	tactic 571.2 plus	tactic 372.1 plus	tactic 572.1 plus
Dimensions H x W x D (mm)	72 x 72 x 35	80 x 72 x 58	72 x 72 x 35	80 x 72 x 58
Cut out (mm)	66 x 66		66 x 66	
Fitting depths (mm)	20,5	42	20,5	42
Frame dimensions DIN 43700 (mm)	72 x 72		72 x 72	
Weight (g) ca.	135	220	135	220
Nominal current/voltage	220-240 VAC/50-60 Hz 110-120 VAC/50-60 Hz		220-240 VAC/50-60 Hz 24 VDC 12 VDC	
Power consumption	4,4 VA		4,4 VA	
Current output				
- Relay	1 switch over, galvanic insulation		2 switch over, galvanic insulation	
Switching current AC				
- Resistive load (VDE, IEC)	16 A /250 VAC		16 A /250 VAC	
- Inductive load cos. φ 0,6	4 A /250 VAC	8 A /250 VAC	2,5 A /250 VAC	
- Incandescent lamp load	1000 W		500 W	
Switching current DC	10 A/24 VDC 3 A/60 VDC 1 A/100 VDC		13 A/24 VDC 0,7 A/60 VDC 0,3 A/100 VDC	
Minimum switching current AC	100 mA/20 VAC		100 mA/20 VAC	
Minimum switching current DC	100 mA/20 VDC		100 mA/20 VDC	
Battery backup	3 years from factory at 20°C		3 years from factory at 20°C	
Operation accuracy	type ±2,5 s/day at 20°C		type ±2,5 s/day at 20°C	
Ambient temperature *)	-25°C ... +55°C		-25°C ... +55°C	
Shortest switching time	1 min		1 min	
Shortest switching interval	1 min		1 min	
Number of channels	1		2	
Number of memory spaces	20	50	20	50
Override	yes		yes	
Display of output status	yes		yes	
Switch-over to daylight saving time	button ±1 h	automatic	button ±1 h	automatic
Approval	EN 60730 EN 60730-2-7		EN 60730 EN 60730-2-7	

*) -25°C at limited display function

Dimensional drawings Circuit diagrams



Accessories

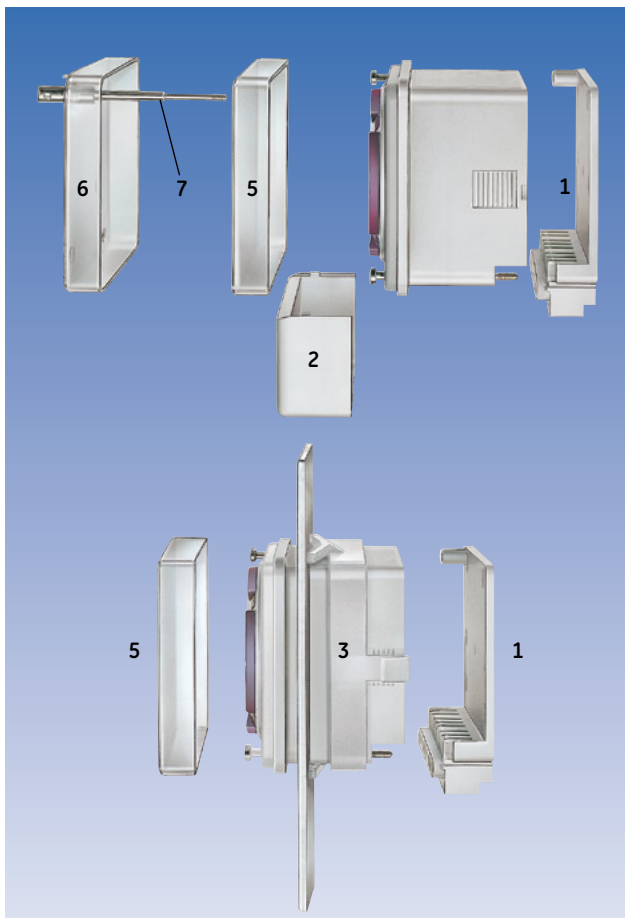
Universal time switches

A

B

C

D



Accessories for:

- tactic 572.1 plus
- tactic 372.1 plus

No.	Designation	L=standard comp. EZ=spare parts/ accessory	Art.-No.
1	base (2 channel)	L/ EZ	01.96.0001.2
2	terminal cover (2 channel)	L/ EZ	01.96.0043.6
3	latching frame	L/ EZ	44.27.0001.4
5	glass	-/ EZ	46.13.0001.4
6	sealed glass	-/ EZ	46.13.0002.4
7	sealing screw	-/ EZ	16.10.0011.8



Accessories for:

- tactic 571.2 plus
- tactic 371.2 plus
- tactic 111.2
- tactic 171.2
- tactic 211.2
- tactic 271.2

No.	Designation	L=standard comp. EZ=spare parts/ accessory	Art.-No.
1	glass	L/ EZ	46.13.0001.4
2	sealed glass	-/ EZ	01.78.0021.6
3	installation base	-/ EZ	01.79.0002.2
4	seal	-/ EZ	01.45.0017.6

