

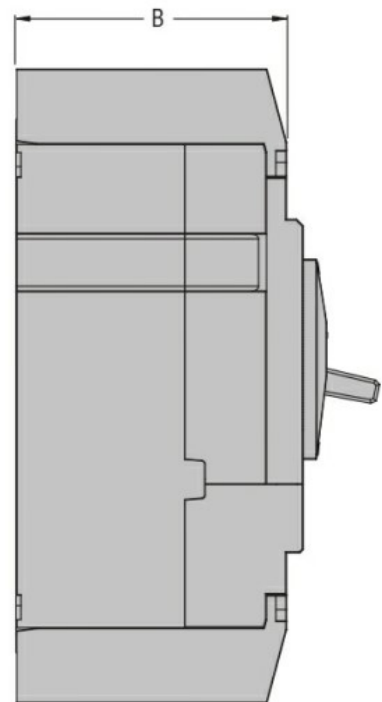
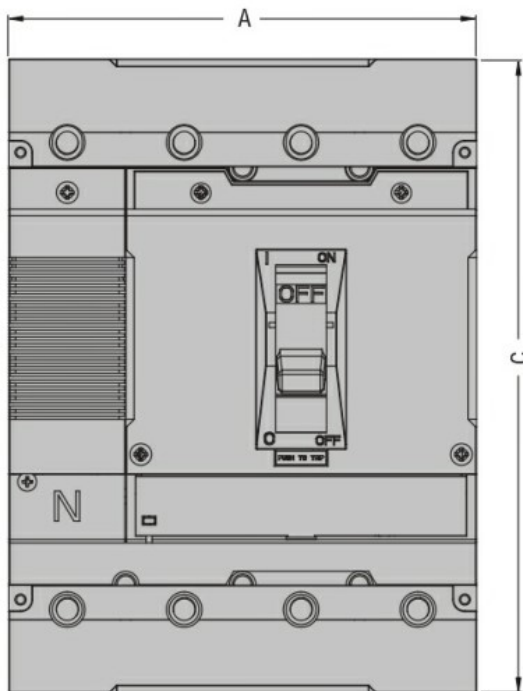


Mechanical features

Weight

g 90

Dimensions



P5X8...	A [mm]	B [mm]	C [mm]
P5X831L	105	80,8	321
P5X831S			190
P5X841L	140		321

P5X841S			190
P5X832L	140	105	479
P5X832S			300
P5X842L	186		479
P5X842S			300
P5X833L	210		128
P5X833S		360	
P5X843L	280	600	
P5X843S		360	

Certifications and compliance

Certificates

ETIM classification

EC000066 - Power contactor, AC switching