



Datasheet

RS PRO Switch limit safety roller lever metal, Plastic body, 1NO/1NC Snap action, M20 conduit, IP67

Stock number: **179-7570**

EN



Specifications:

Operating Frequency

Mechanical: 120ops/min

Insulation Resistance

Electrical: 30 ops/min

Contact Resistance

>100MΩ@500V DC

Rated Thermal Current

<25mΩ(initial value)

Electrical Rating

10A

(UL,cUL Approved)

AC 15 A600

Dielectric Strength

DC 13 Q300

1000VAC for 1 min between current carrying parts

2500VAC for 1 min between non-current carrying parts

Service Life

Mechanically 1×10^7 Electrically 5×10^5

Operating Temperature

-25~+80°C (-13~176°F) (with no icing)

Degree of Protection

IP67

Humidity

<95%RH

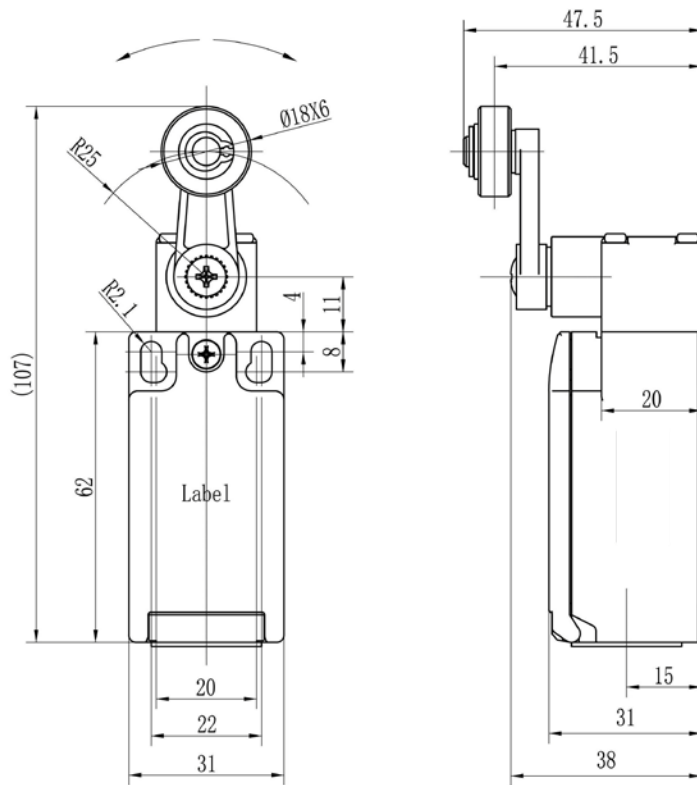
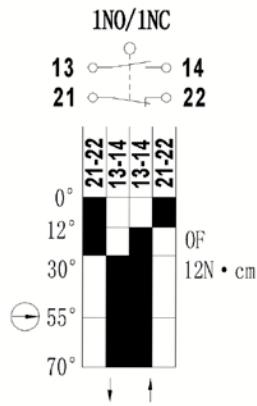
Features:

- Robust glass fiber reinforce plastic body
- UL/CSA/CE Certified
- Threaded hole available: M20*1.5





Circuit Diagram



rspro.com

