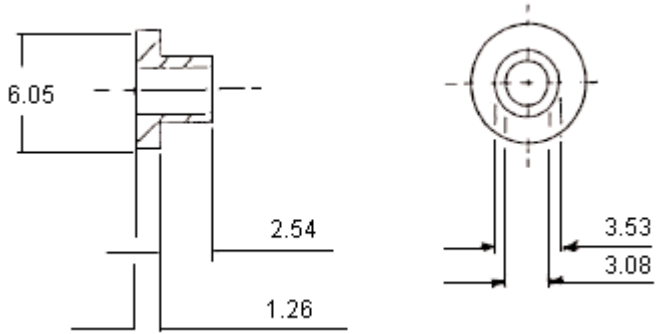


PART NO.

31-35-25GF

REVISIONS

ECN #	REV	DESCRIPTION	DRAWN	DATE	CHECKD	DATE	APPRVD	DATE
-	A	RELEASED						



Dimensions : Millimetres

Part Number Table

Description	Part Number
Bush, TO-220,	31-35-25GFN

MECI Ltd

TOLERANCES:  
UNLESS OTHERWISE SPECIFIED, DIMENSIONS ARE FOR REFERENCE PURPOSES ONLY.

DRAWN BY:	DATE:
	17/11/08
CHECKED BY:	DATE:
	17/11/08
APPROVED BY:	DATE:
	01/12/08

DRAWING TITLE:				31-35-25GF			
SIZE	DWG NO.	ELECTRONIC FILE		REV			
A				A			
SCALE: NTS		U.O.M.: mm		SHEET: 1 OF 1			