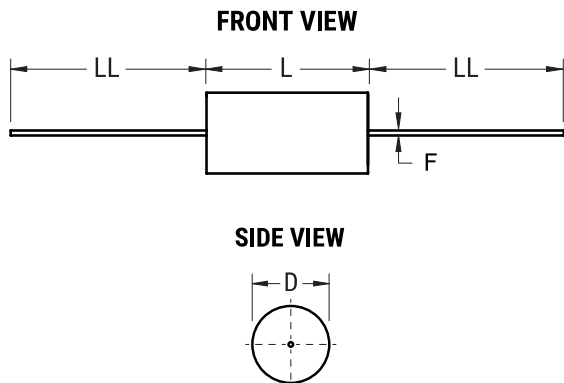


C4G, Film, Metallized Polypropylene, Power, 1 uF, 5%, 450 VAC, 850 VDC, 70°C



| General Information | |
|---------------------|-----------------------------------|
| Supplier: | KEMET |
| Series: | C4G |
| Dielectric: | Metallized Polypropylene |
| Style: | Axial |
| Features: | Switching |
| RoHS: | Yes |
| Lead: | Wire Leads |
| Miscellaneous: | Polyester Tape & Resin Protection |

| Dimensions | |
|------------|-------------|
| D | 20.5mm MAX |
| L | 44mm MAX |
| LL | 40mm +/-5mm |
| F | 1mm NOM |

| Packaging Specifications | |
|--------------------------|-----------|
| Packaging: | Bulk, Bag |
| Packaging Quantity: | 100 |

| Specifications | |
|------------------------|--------------------------------------|
| Capacitance: | 1 uF |
| Capacitance Tolerance: | 5% |
| Voltage AC: | 450 VAC |
| Voltage DC: | 850 VDC |
| Temperature Range: | -40/+85C |
| Rated Temperature: | 70°C |
| Dissipation Factor: | 0.05% |
| Max dV/dt: | 140 V/us |
| Resistance: | 4.7 mOhms (100KHz) |
| Ripple Current: | 9 Amps (100kHz 70C), 140 Amps (Peak) |