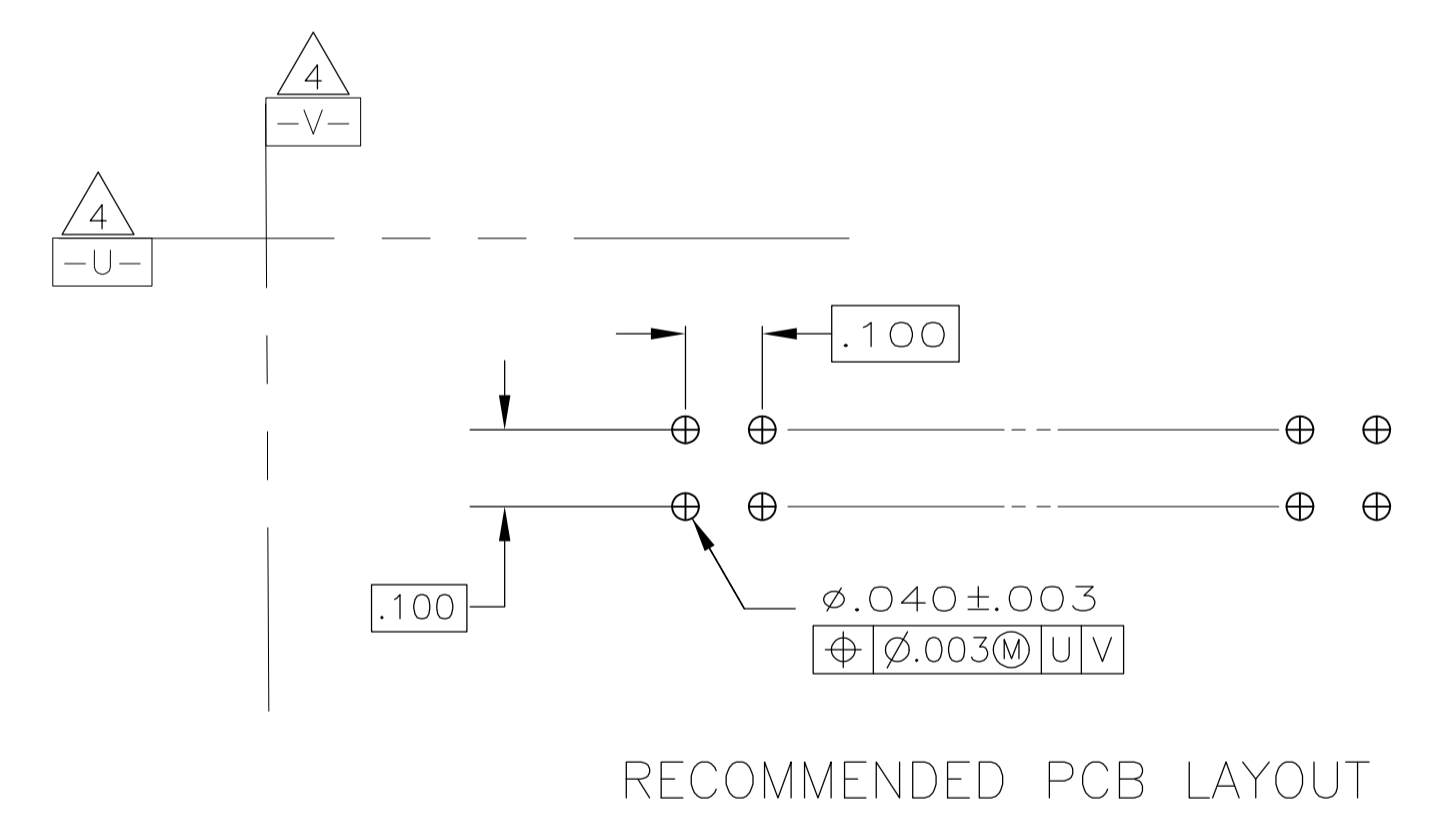
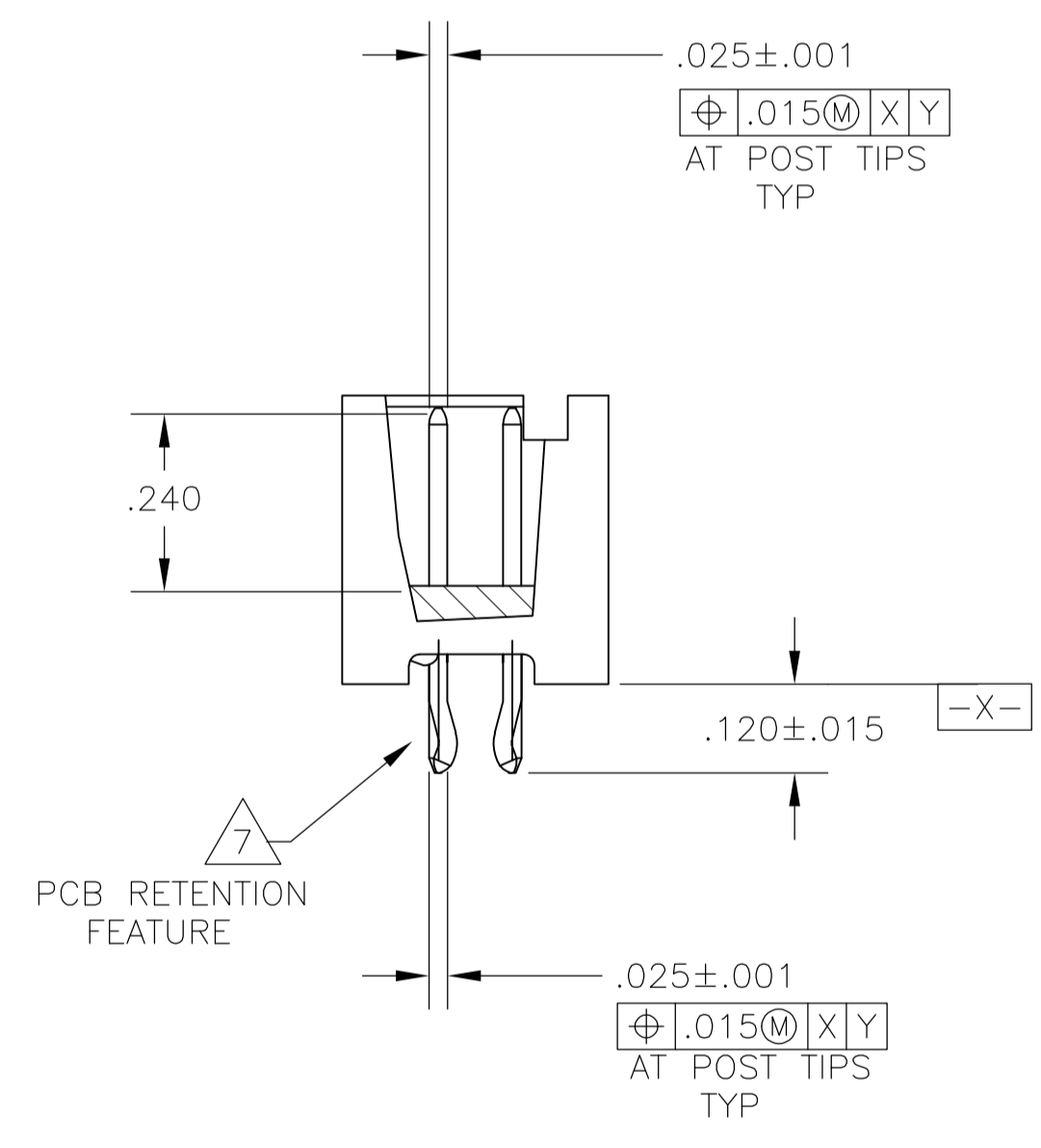
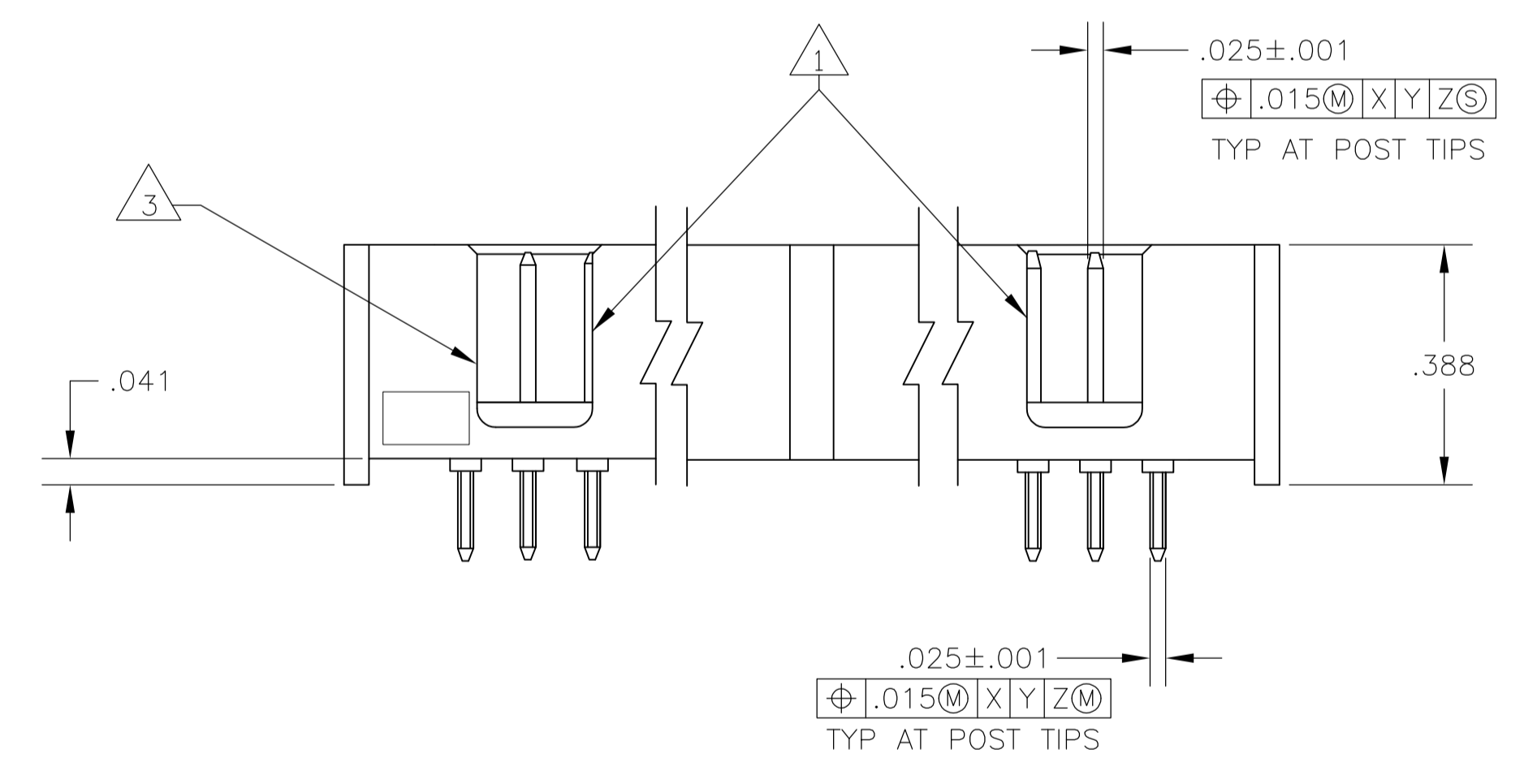
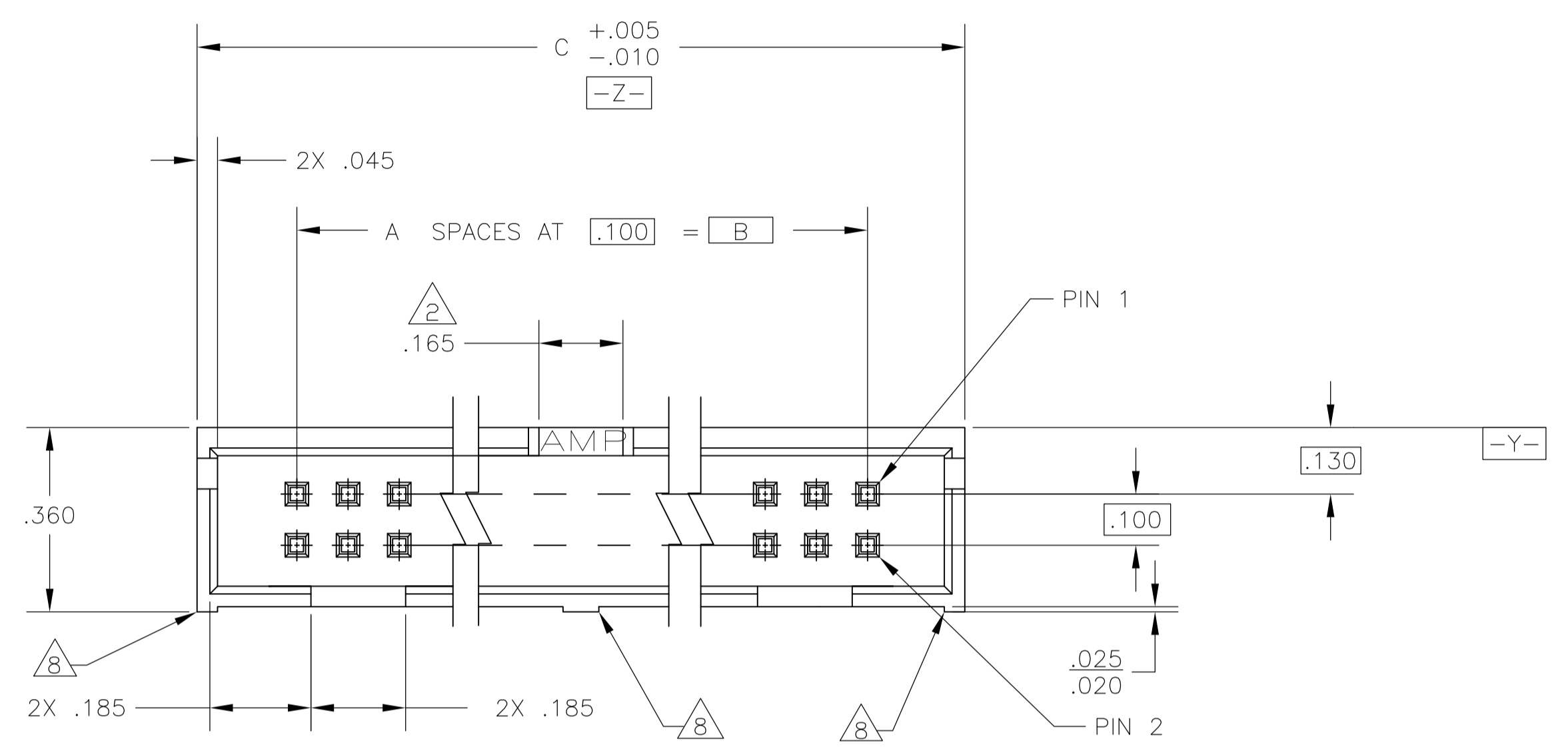


- 1 DOUBLE BAR POLARIZATION SLOTS.
- 2 CENTER POLARIZATION SLOT.
- 3 FOR 10 POSN ASSEMBLY, SLOT OMITTED IN THIS LOCATION.
- 4 DATUMS U AND V TO BE ESTABLISHED BY THE CUSTOMER.
- 5 HOUSING: GLASS FILLED PPA, UL 94V-0, COLOR: BLACK. POSTS: BRASS.
- 6 POSTS: GOLD FLASH OVER PALLADIUM-NICKEL PLATE, .000015 MIN TOTAL ON THE MATING SURFACES, .000100 MIN TIN PLATE ON THE SOLDER-TAILS, .000050 MIN NICKEL UNDERPLATE ON THE ENTIRE POST.  
-OR-  
.000015 MIN GOLD PLATE ON THE MATING SURFACES, .000100 MIN TIN PLATE ON THE SOLDER-TAILS, .000050 MIN NICKEL UNDERPLATE ON THE ENTIRE POST.
- 7 THE RETENTION FEATURE ON THE SOLDER-TAILS WAS DESIGNED FOR A PCB THICKNESS OF .062±.007. THIS FEATURE APPLIES ONLY TO THE SOLDER-TAILS LOCATED ON THE END POSITIONS THE CONNECTOR (4 PLACES).
- 8 RIBS:  
ALL POSITION SIZES-2 LOCATED AT ENDS OF HOUSING.  
20 THRU 34 POSITION SIZES- 1 OPTIONAL RIB CENTERED ON HOUSING.  
40 THRU 50 POSITION SIZES-2 OPTIONAL RIBS EVENLY SPACED WITHIN REMAINING LENGTH OF HOUSING.



|       |       |    |            |                      |
|-------|-------|----|------------|----------------------|
| 3.300 | 2.900 | 29 | 60         | 1-5104338-0          |
| 2.800 | 2.400 | 24 | 50         | 5104338-9            |
| 2.300 | 1.900 | 19 | 40         | 5104338-8            |
| 2.000 | 1.600 | 16 | 34         | 5104338-7            |
| 1.600 | 1.200 | 12 | 26         | 5104338-6            |
| 1.500 | 1.100 | 11 | 24         | 5104338-5            |
| 1.300 | .900  | 9  | 20         | 5104338-4            |
| 1.100 | .700  | 7  | 16         | 5104338-3            |
| 1.000 | .600  | 6  | 14         | 5104338-2            |
| .800  | .400  | 4  | 10         | 5104338-1            |
| C     | B     | A  | NO OF POSN | ASSEMBLY PART NUMBER |

THIS DRAWING IS A CONTROLLED DOCUMENT.

|                    |  |           |           |           |              |           |            |
|--------------------|--|-----------|-----------|-----------|--------------|-----------|------------|
| DIMENSIONS: INCHES | TOLERANCES UNLESS OTHERWISE SPECIFIED: | 0 PLC ± - | 1 PLC ± - | 2 PLC ± - | 3 PLC ± .005 | 4 PLC ± - | ANGLES ± - |
| MATERIAL           |  | FINISH    |           | WEIGHT    |              | SCALE     |            |
| 5                  |  | 6         |           | A1 00779  |              | 5104338   |            |

APPROVED: J. GERACE, M. WALMSLEY  
DATE: 01 NOV 05  
NAME: M. WALMSLEY  
PRODUCT SPEC: 108-40018  
APPLICATION SPEC: -  
SIZE: A1  
CAGE CODE: 00779  
DRAWING NO: 5104338  
RESTRICTED TO: -  
CUSTOMER DRAWING  
SCALE: 4:1  
SHEET: 1 OF 1  
REV: E

STE TE Connectivity

HEADER ASSY, VERTICAL, LOW PROFILE, AMP-LATCH