



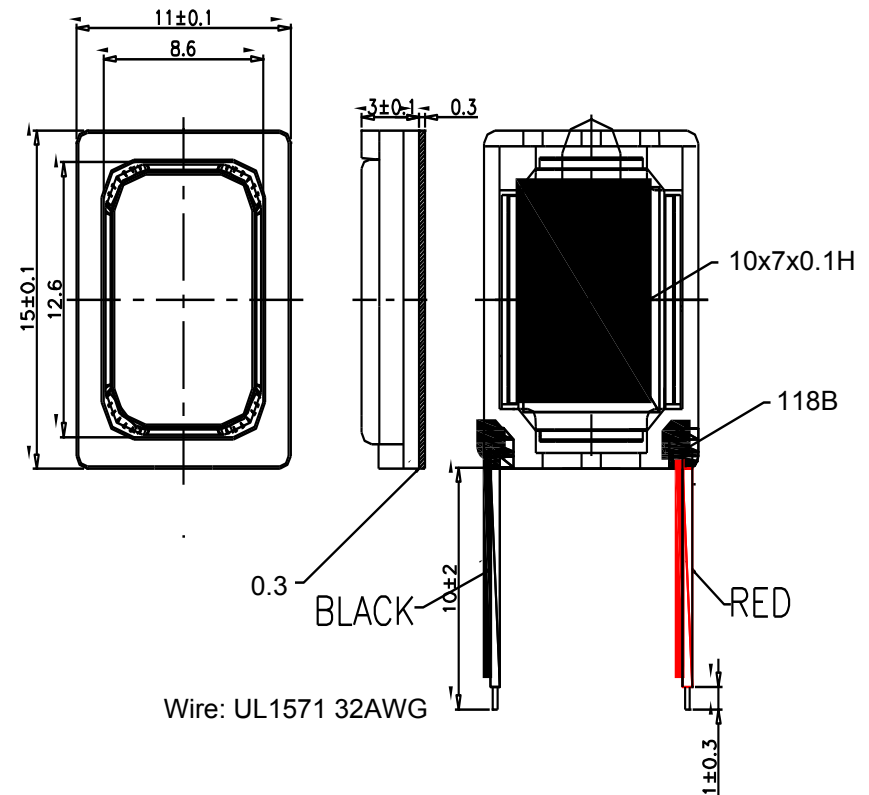
1881763 11×15×3.0t 80HM SPEAKER

SPEAKERS

Specifications

	1881763
Rated impedance (2.0KHz/2.0Vrms)	8±15%Ω
Rated input power	0.7W
Maximum input power	1.0W
Resonant frequency (f0)	700±20% Hz (1V) in free air
Coil resistance	7.2±10%Ω
Rated frequency range	f0Hz ~20kHz
Sound pressure level (2.0Vrms/10cm at AVG 0.8,1,1.5,2KHz)	89±3dB
Total harmonic distortion (at 1KHz, 2.0rms/10cm)	10%Max
Operating temperature	-30~+80°C
Weight	1.5g

Material	
Front Cover - PBT	Plate & Yoke - SPCC
Diaphragm - PEEK	Magnet - NdFeB
Voice coil - Copper Wire	
Frame & Terminal - PBT + SUS	



Dimensions Unit: ±0.2mm

Polarity - When a positive DC Current is applied to the voice coil terminal marked + ,the diaphragm shall move forward

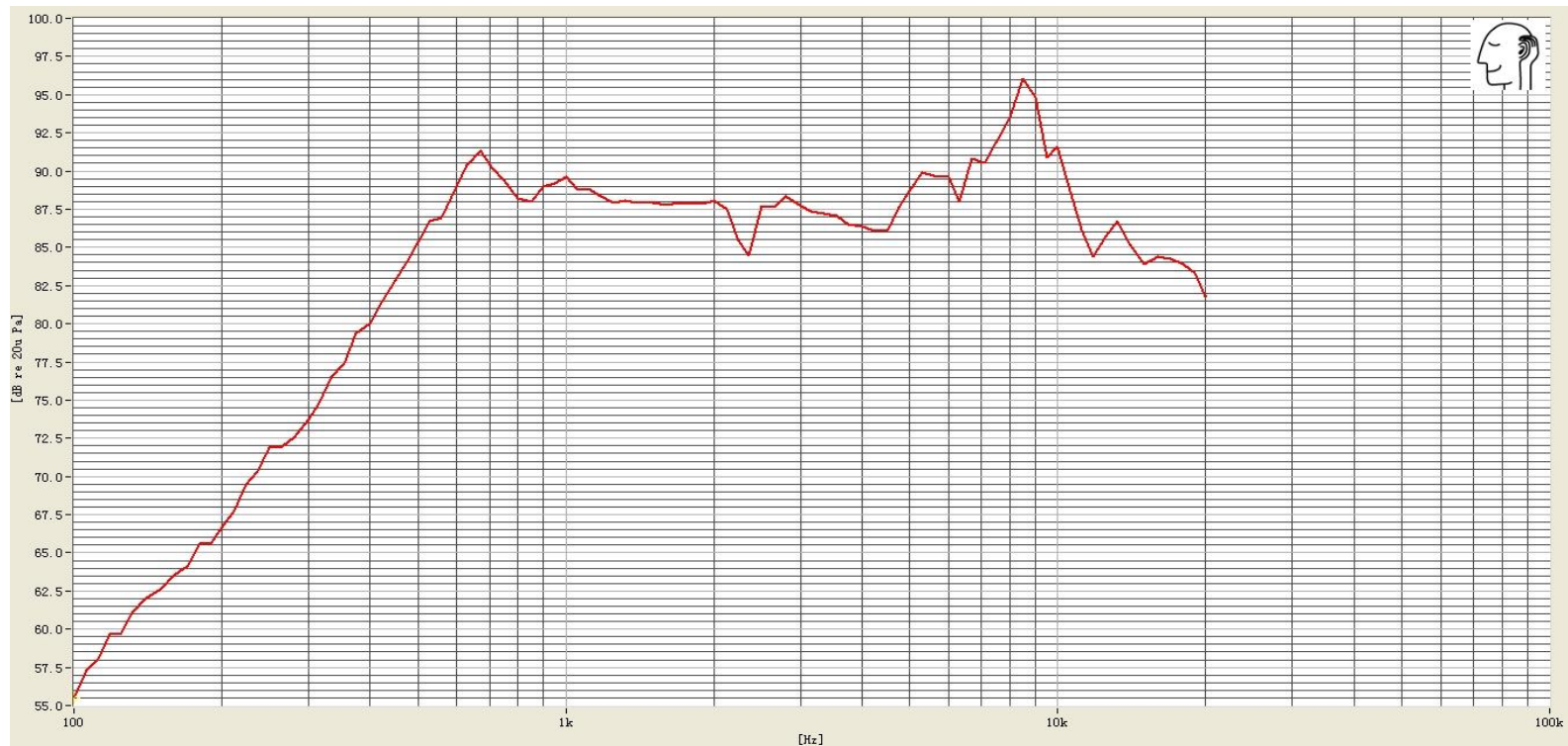


ENGLISH

1881763 11×15×3.0t 8OHM SPEAKER - Frequency Response Curve

SPEAKERS

2.0Vrms/10cm





1881763 11×15×3.0t 8OHM SPEAKER - Impedance Response Curve

SPEAKERS

1.0Vrms/10cm

